

LED Bollard LIGHT

This Bollard light features outstanding photometric performance, uniform illumination, low-profile design, high efficacy, long lifespan, and easy installation. The one piece die-cast aluminum housing with UV resistant powder coat finish offers outstanding corrosion protection. The Bollard series is a professional LED lawn light designed for outdoor landscape lighting places, designed in a perfect, simple shape. Various types of light output to meet different application fields Scene demand. Suitable for all kinds of indoor and outdoor garden environment lighting. These fixtures are ideal for retail centers, industrial parks, schools and universities, public transit and airports, office buildings and medical facilities.

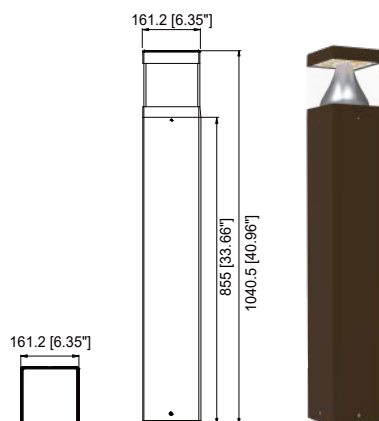


Product Features

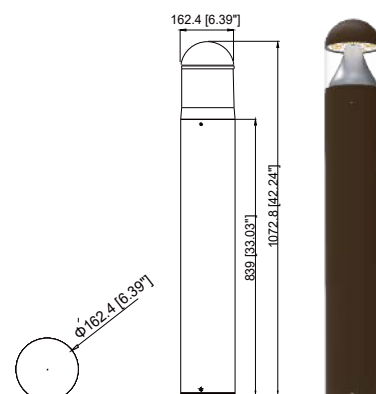
1. High efficiency LED Driver, the wide range input voltage 120-277VAC, 120-347VAC.
2. Lumileds LED high luminous efficiency and long life.
3. Cast aluminium design, Electrostatic powder spraying, better cooling and easy replacement.
4. Clear Polycarbonate Lens Specially Designed Cone Reflector or Internal Louvers lens.
4. Excellent optical design, greatly improve the light utilization and evenness.
5. 0-10V dimming.
6. IP65.

Product Dimension

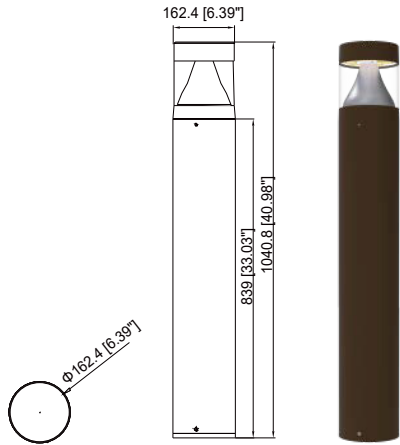
VE-BD01-24W-X-TCP-Y-ZZ



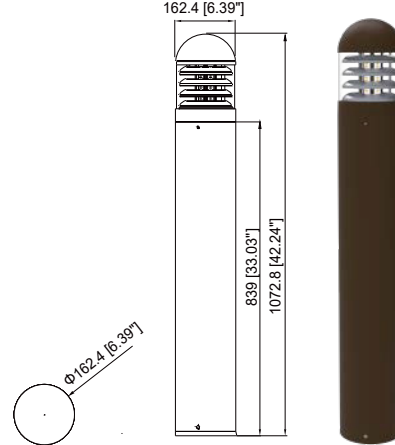
VE-BD02-24W-X-TCP-Y-ZZ



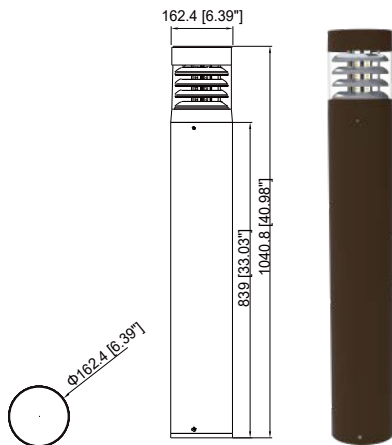
VE-BD03-24W-X-TCP-Y-ZZ



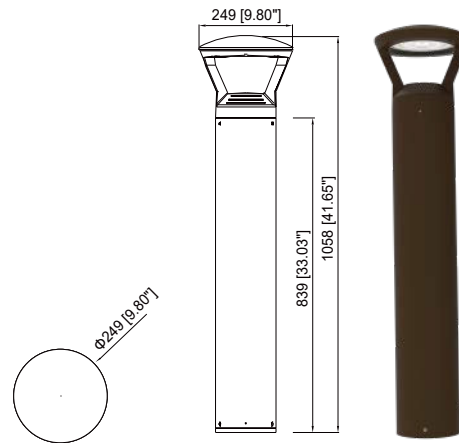
VE-BD04-24W-X-TCP-Y-ZZ



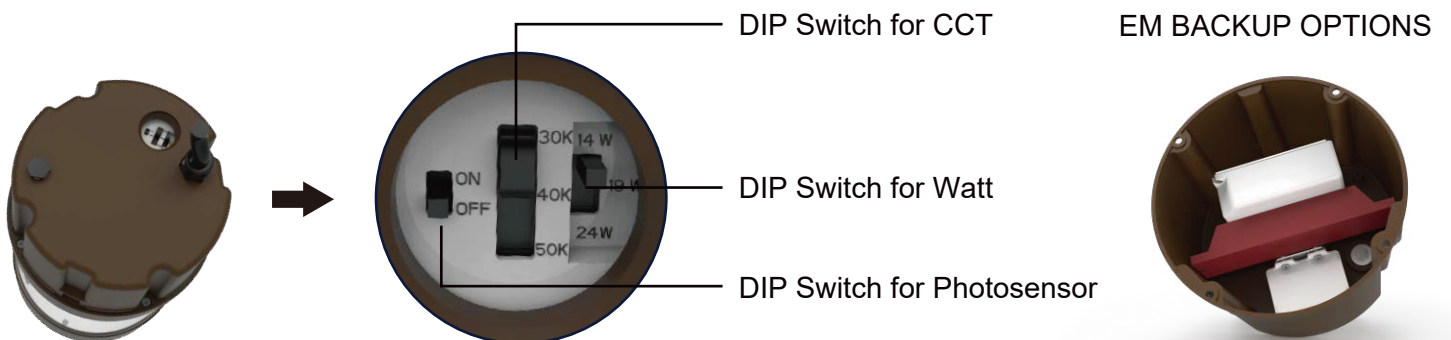
VE-BD05-24W-X-TCP-Y-ZZ



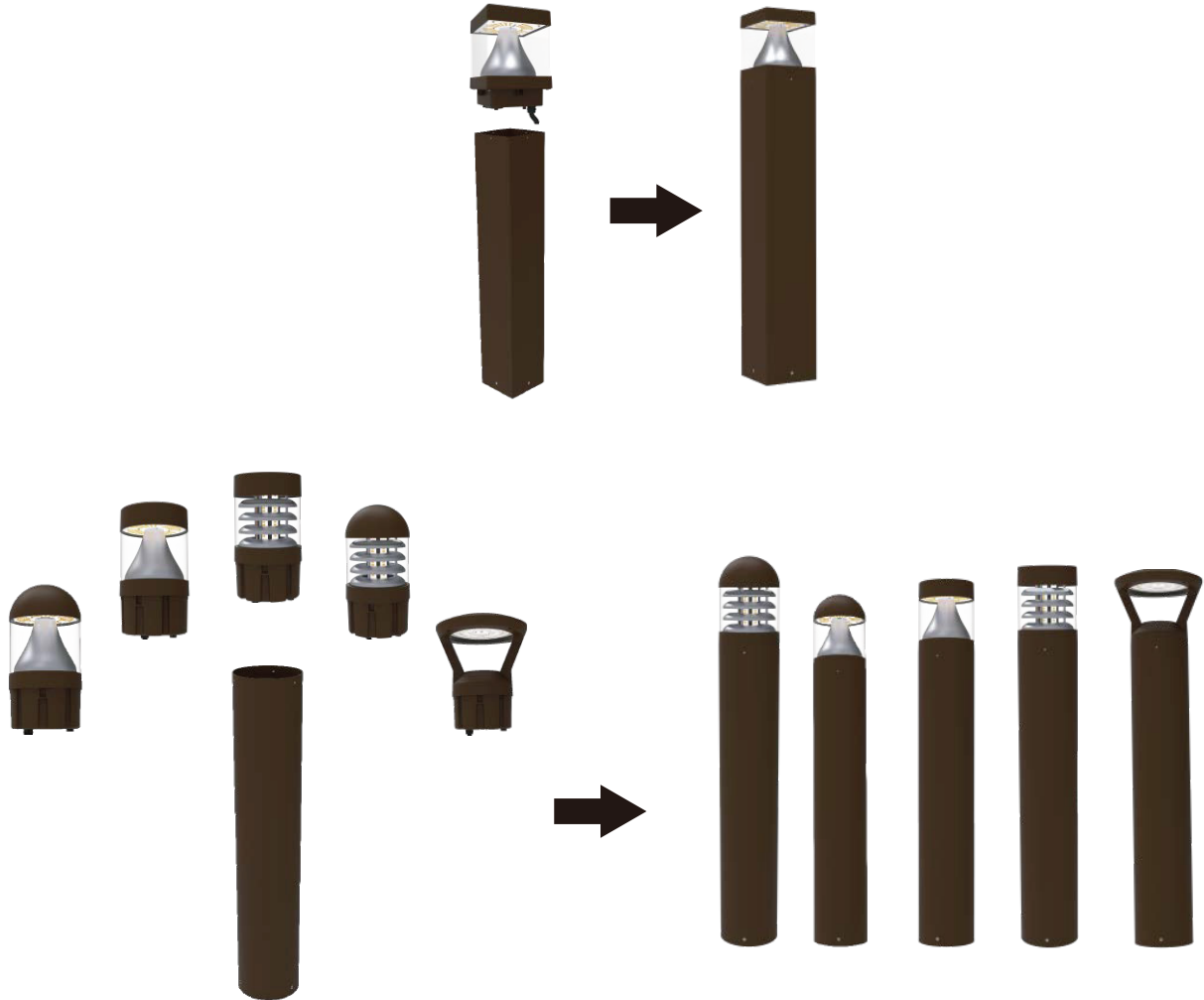
VE-BD06-24W-X-TCP-Y-ZZ



3 Cct & Wattage Selectable



The Top Heads Are Interchangeable



Ordering Information

Power & CCT selectable						
Part No.	Input Voltage	Frequency	Power	Rated Current	CCT	
VE-BD01-24W-X-TCP-Y-ZZ	AC120-277V AC120-347V	50/60Hz	24/19/14W	0.22A	30K/40K/50K	
VE-BD02-24W-X-TCP-Y-ZZ			24/19/14W	0.22A		
VE-BD03-24W-X-TCP-Y-ZZ			24/19/14W	0.22A		
VE-BD04-24W-X-TCP-Y-ZZ			24/19/14W	0.22A		
VE-BD05-24W-X-TCP-Y-ZZ			24/19/14W	0.22A		
SVE-BD06-24W-X-TCP-Y-ZZ			24/19/14W	0.22A		
LED	Certification	Efficacy	Working tem.	CRI	Lifespan	Finish
LUMILEDS	cUL DLC	140LM/W	-40 F ~+113 F -40 C ~+45 C	Ra>70	>50000	BROWN BLACK

