

SOLAR LED FLOOD LIGHT

Ultra Lumens-All-in-Two Designs 2018



Key Advantages

PROGRAMMABLE

Smart solar controller built-in, power brightness and lighting time are adjustable via remote controller.

LONG DISTANCE INSTALLATION

Using 2.5 or 4mm² solar cable. It allows more than 35M from light head to solar panel. Make installation more easy.

EXTERNAL SOLAR PANEL

Solar panel separated from light allows to increase power to meet the solar radiations in different latitude and longitude. Max 200W solar panel is allowed for 50W LED with 6200lm output.

CONNECTION

MC4 male & female plugs directly to 18V solar panel. quick and easy for connection. 2.5mm² power cord for less voltage drop.

COMPACT SYSTEM

Battery and solar controller, sensor are built-inside of light, only need to be connected to 18V system, NO more other operation, easy ,simple and quick installation.



MC4 Connector



MPPT Controller



Lithium Battery



Philips SMD LED



Remote Setting



Microwave Sensor Optional



MC4 Plugs Connection



Lithium Battery



12 Hrs/Day
130 LM/W



Specification

Model	VAI-S15	VAI-S20	VAI-S30	VAI-S40	VAI-S50	VAI-S60
Power.max	W15W	W20W	W30W	W40W	W50W	W60W
Luminous flx	>1,800lm	>2,600lm	>3,600lm	>5,200lm	>6,200lm	>7,200lm
Beam angle	140*70 Degrees					
Color Temp.	2700K~6500K Optional					
CRI	>83					
LED Brand	Philips SMD3030 1W/LED					
LED Qty	72Pcs		72Pcs		90Pcs	
IP Rating	IP67					
Battery	195WH	268WH	391WH	488WH	548WH	635WH
Controller	PWM			MPPT		
Solar Panel						
P.max(W)	40W	50W	60W	80W	100W	110W
V.mp. of PV	18V					
I.mp. of PV	2.22A	2.78A	3.33A	4.45A	5.56A	6.12A
PV Size(mm)	670*420*25	700*535*30	670*590*25	760*670*30	1000*670*30	1040*670*30



Bill Free



Green Energy



Bug Free



Rechargeable



Eco Friendly

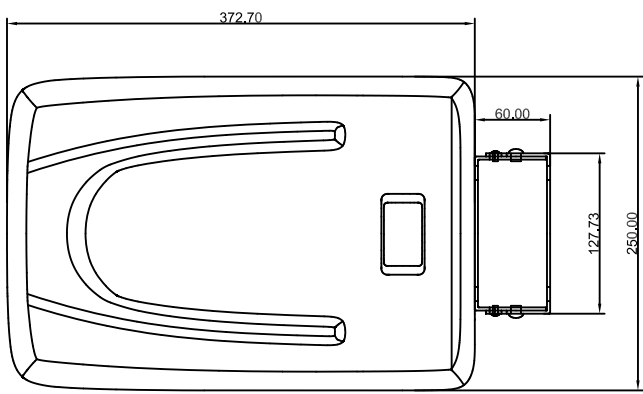
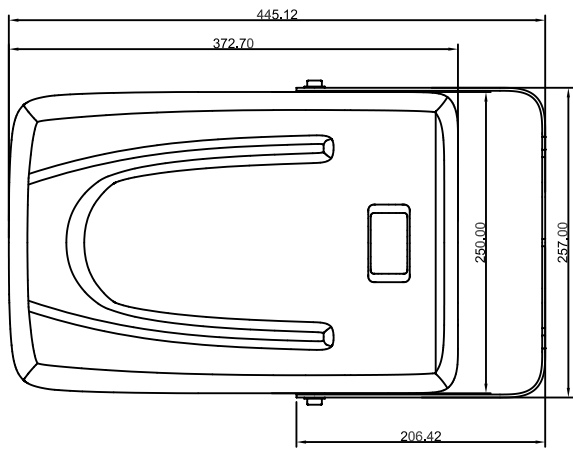
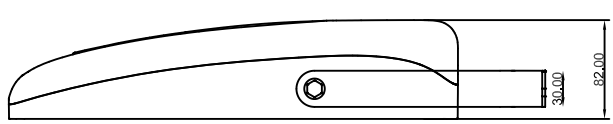


Free Maintain



Integration

✂ Dimensions



U Type Bracket

D Type Bracket

+ Detailed View



Lithium Battery Pack
High temperature resistant, up to 2000 cycles lifetime. (DOD 70%)
Smart BMS protection.



Philips SMD LED Source
More LEDs is used, driven with lower current, achieving more than 150lm/w.
High efficiency than normal solar lights.



MPPT Solar Controller
Higher charging efficiency than PWM controllers, Ensuring enough power generated for every night,



Switch Button
Aluminium material, anti-UV & Oxidation
High performance.



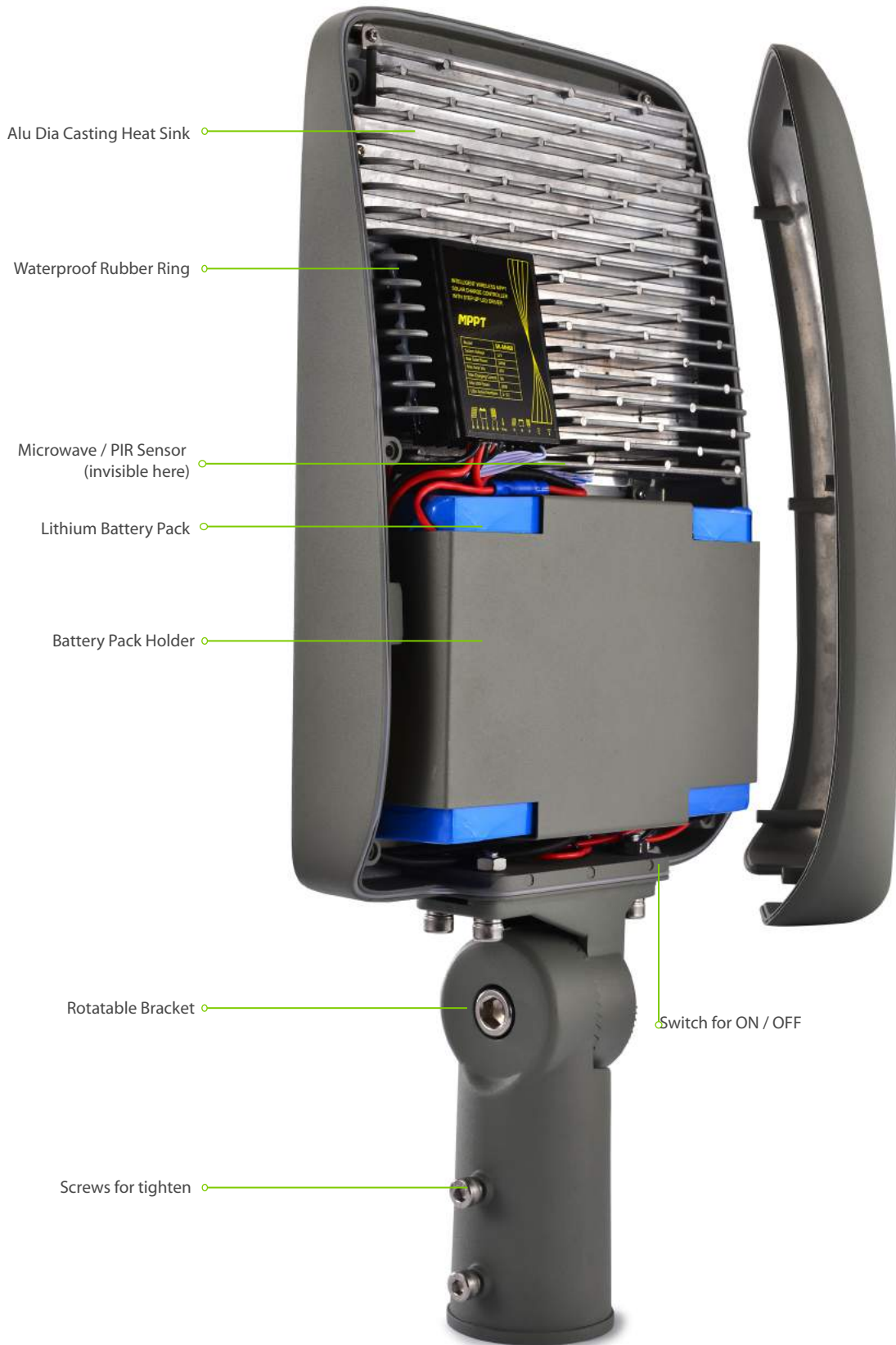
High Quality Solar Cable
Durable and long lifetime of solar cable.
Less power will be lost than using small cable. Max 40M from light to solar panel.



Microwave Sensor Optional
Sensor is optional in case of detecting function for security use.



Internal View



Notice: Solar led flood light has same inner structure of solar led street light