



SOLAR LED STREET LIGHT

Compact-All-in-Two Designs 2018

Key Advantages

PROGRAMMABLE

Smart solar controller built-in, power brightness and lighting time are adjustable via remote controller.

MICROWAVE SENSOR

More area can be covered than PIR sensor, longer distance and wider sensitive angle, more stable than PIR.

EXTERNAL SOLAR PANEL

Solar panel separated from light allows to increase power to meet the solar radiations in different latitude and longitude. Max 200W solar panel is allowed for 50W LED with 6200lm output.

CONNECTION

MC4 male & female plugs directly to 18V solar panel. quick and easy for connection. 2.5mm² power cord for less voltage drop.

COMPACT SYSTEM

Battery and solar controller, sensor are built-inside of light, only need to be connected to 18V system, NO more other operation, easy ,simple and quick installation.



MC4 Connector



Microwave sensor



Lithium Battery



Philips SMD LED



Remote Setting



Microwave Sensor



MC4 Plugs Connection



Lithium Battery



12 Hrs/Day
130 LM/W

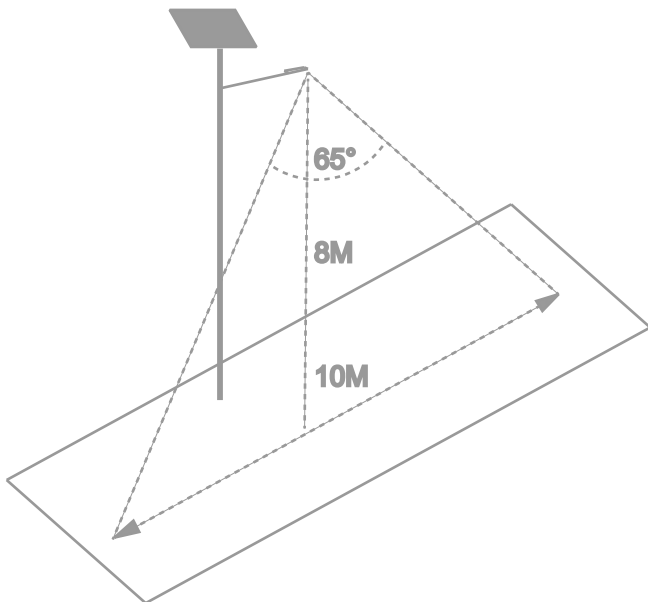


Specification

Model	VI-U15W	VI-U20W	VI-U30W	VI-U40W	VI-U50W	VI-U60W
Power.max	15W	20W	30W	40W	50W	60W
Luminous flx	>1,800lm	>2,600lm	>3,600lm	>5,200lm	>6,200lm	>7,200lm
Beam angle	140*70 Degrees					
Color Temp.	2700K~6500K Optional					
CRI	>83					
LED Brand	Philips SMD3030					
LED Qty	72Pcs		72Pcs		90Pcs	
IP Rating	IP67					
Battery	195WH	268WH	391WH	488WH	548WH	635WH
Controller	PWM type with sensor			MPPT type with sensor		
Solar Panel						
P.max(W)	40W	50W	60W	80W	100W	110W
V.mp.of PV	18V					
I.mp.of PV	2.22A	2.78A	3.33A	4.45A	5.56A	6.12A
PV Size(mm)	670*420*25	700*535*30	670*590*25	760*670*30	1000*670*30	1040*670*30
Pole Height	3~4M	3~5M	3~6M	4~6M	5~8M	6~12M



Induction Sensor



Microwave (Radar) sensor is adopted in this light in order to save more energy. Energy saving mode is adjustable by the remote control easily. Radar sensor is more sensitive than PIR sensor in much wider angle and longer distance, And it can be triggered easily with slight movements. The best sensitive distance from people / object to light sensor should be within 12 meters.

PIR sensor is optional



Bill Free



Green Energy



Bug Free



Rechargeable



Eco Friendly

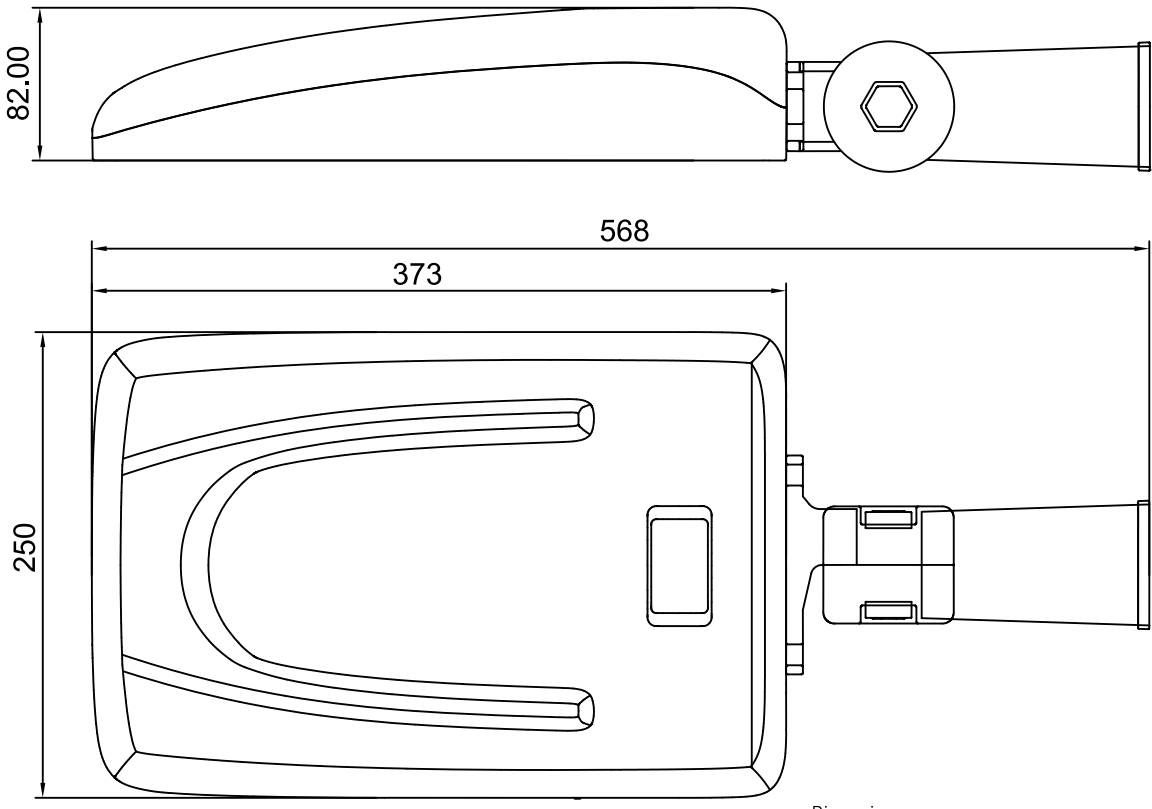


Free Maintain



Integration

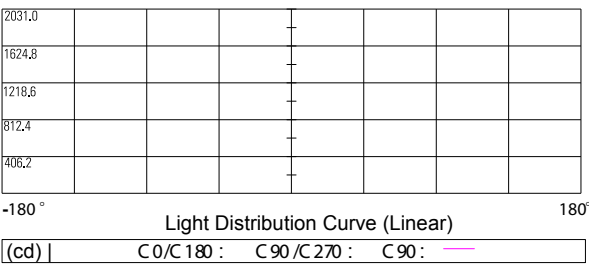
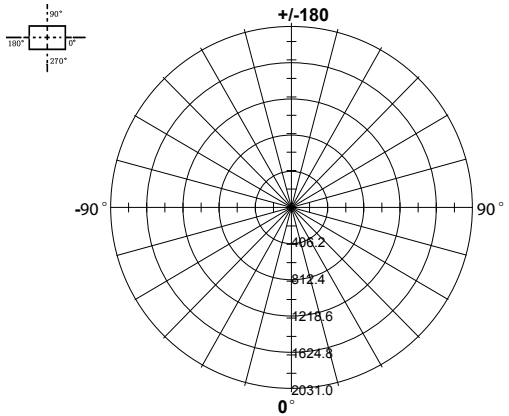
Product Meas'



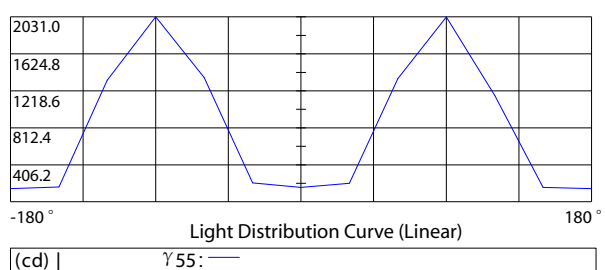
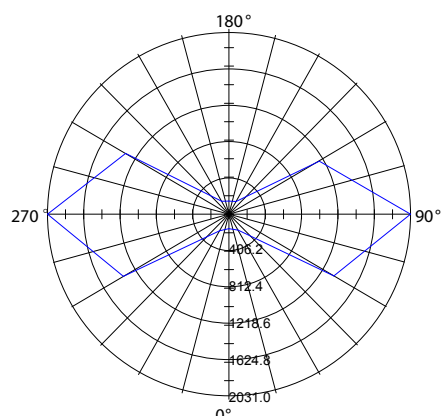
Dimension:

IES Data

Light Distribution Curve [Unit : cd]



Max Plane Light Distribution Curve [Unit: cd]



🔍 Detailed View



Lithium Battery Pack
High temperature resistant, up to 2000 cycles lifetime. (DOD 70%)
Smart BMS protection.



Philips SMD LED Source
More LEDs is used, driven with lower current, achieving more than 150lm/w.
High efficiency than normal solar lights.



MPPT Solar Controller
Higher charging efficiency than PWM controllers, Ensuring enough power generated for every night,



Switch Button
Aluminium material, anti-UV & Oxidation
High performance.



Adjustable brackets
Marked with digitals, easy to adjust up/down when installation. Flexible for different projects condition



Microwave (Radar) Sensor
More sensitive performance than normal PIR sensor, longer distance and detective angle. IP65 waterproof



48 LEDs



72 LEDs



90 LEDs

SOLAR LED FLOOD LIGHT

Ultra Lumens-All-in-Two Designs 2018

Key Advantages

PROGRAMMABLE

Smart solar controller built-in, power brightness and lighting time are adjustable via remote controller.

LONG DISTANCE INSTALLATION

Using 2.5 or 4mm² solar cable. It allows more than 35M from light head to solar panel. Make installation more easy.

EXTERNAL SOLAR PANEL

Solar panel separated from light allows to increase power to meet the solar radiations in different latitude and longitude. Max 200W solar panel is allowed for 50W LED with 6200lm output.

CONNECTION

MC4 male & female plugs directly to 18V solar panel. quick and easy for connection. 2.5mm² power cord for less voltage drop.

COMPACT SYSTEM

Battery and solar controller, sensor are built-inside of light, only need to be connected to 18V system, NO more other operation, easy ,simple and quick installation.



MC4 Connector



MPPT Controller



Lithium Battery



Philips SMD LED



Remote Setting



Microwave Sensor Optional



MC4 Plugs Connection



Lithium Battery



12 Hrs/Day
130 LM/W



Specification

Model	VI-S15W	VI-S20W	VI-S30W	VI-S40W	VI-S50W	VI-S60W
Power.max	15W	20W	30W	40W	50W	60W
Luminous flx	>1,800lm	>2,600lm	>3,600lm	>5,200lm	>6,200lm	>7,200lm
Beam angle	140*70 Degrees					
Color Temp.	2700K~6500K Optional					
CRI	>83					
LED Brand	Philips SMD3030 1W/LED					
LED Qty	72Pcs		72Pcs		90Pcs	
IP Rating	IP67					
Battery	195WH	268WH	391WH	488WH	548WH	635WH
Controller	PWM		MPPT			
Solar Panel						
P.max(W)	40W	50W	60W	80W	100W	110W
V.mp. of PV	18V					
I.mp. of PV	2.22A	2.78A	3.33A	4.45A	5.56A	6.12A
PV Size(mm)	670*420*25	700*535*30	670*590*25	760*670*30	1000*670*30	1040*670*30



Full Set Picture



Bill Free



Green Energy



Bug Free



Rechargeable



Eco Friendly

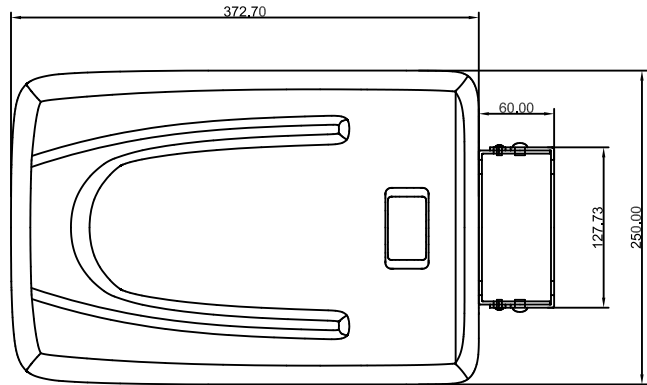
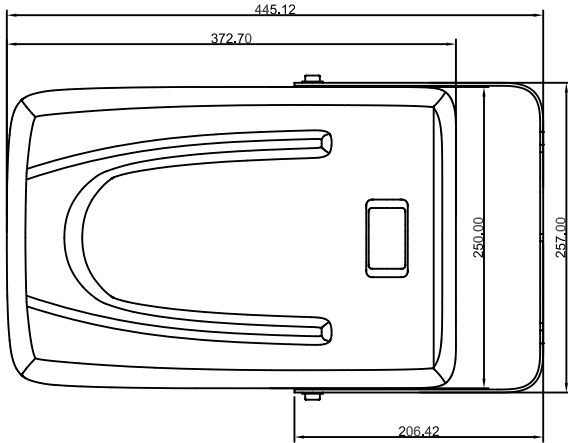
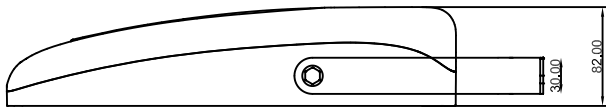


Free Maintain



Integration

Product Meas'



U Type Bracket

D Type Bracket

Detailed View



Lithium Battery Pack

High temperature resistant, up to 2000 cycles lifetime. (DOD 70%)
Smart BMS protection.



Philips SMD LED Source

More LEDs is used, driven with lower current, achieving more than 150lm/w.
High efficiency than normal solar lights.



MPPT Solar Controller

Higher charging efficiency than PWM controllers, Ensuring enough power generated for every night,



Switch Button

Aluminium material, anti-UV & Oxidation
High performance.



High Quality Solar Cable

Durable and long lifetime of solar cable.
Less power will be lost than using small cable. Max 40M from light to solar panel.



Microwave Sensor Optional

Sensor is optional in case of detecting function for security use.



Inner View

