



LED Solar Area Light

PRODUCTS PECIFICATION



Highlight
LED



Single silicon
Solar panel



Lithium iron
phosphate battery



Remote
control



Heat dissipation
performance



Waterproof

Benefits

1. Replace conventional Street Lights.
2. Precision Die Cast Aluminum Housing.
3. High efficiency imported silicon solar cell.
4. Easy Installation and maintenance.
5. CE ROHS listed.



MODEL :VE-SLD-XXX-A3

Features

- *Solar energy is a kind of green renewable and clean energy that is pollution-free, noise-free, inexhaustible and inexhaustible. When the solar panel receives sunlight, it can generate photovoltaic effect to generate electric energy, and the controller stores the electric energy into the battery. Night battery discharge lights LED light source, charging night use, one-time investment, multi-year benefits.
- *The company's patented product adopts the integrated design of A-type Sanyuanli battery pack and lamp body controller.
- *Fully automatic intelligent light control, time control, remote control function, charging during the day and automatically lighting at night.
- *It adopts one-piece aluminum casing, imported high-efficiency light source, full power solar panel, anti-corrosion, waterproof and lightning protection.
- *This product is specially designed for outdoor outdoor lighting, easy to install. Solar power supply, 0 wiring, nail wall, pole, holding cement column and other installation methods.
- *Suitable for highways, town roads, street lights, rural roads, park lights, courtyard lighting, channel lighting, farms, etc.

Application

1. Street lighting.
2. Park lighting.
3. Courtyard lighting.
4. Stadium lighting.
5. Campus lighting.
6. Parking lot lighting



Specifications

Power	100W	150W	200W
Model	VE-SLD-100W-A3	VE-SLD-150W-A3	VE-SLD-200W-A3
Solar panel Max power	18V/60W	18V/80W	18V/100W
lamp size	887*400*280mm	1160*400*280mm	1435*400*280mm
Radiation range	40m ²	60m ²	80m ²
Mounting Height	5-6m	6-7m	7-8m
LED QTY	96pcs	144pcs	300pcs
Sensor	Motion Sensor, Photocell Sensor		
Controller	PWM controller, MPPT controller optional		
Material	High quality Aluminium alloy housing		
Solar Cell	High efficiency Single silicon Solar panel		
Light Source	SMD LED		
Operation Temp.	-40 to +45°C		
CCT	2700K SW / 3000K WW / 4100K NW / 5000K DW / 5700K CW		
CRI	70+		
Material	Die-casting Aluminum + Solar Panel+PC Lens		
Colour	Silver\black\bronze (Customized)		
Life Span	50,000 hours		
IP	65		
Beam Angle	120°		
Warranty	3Years		

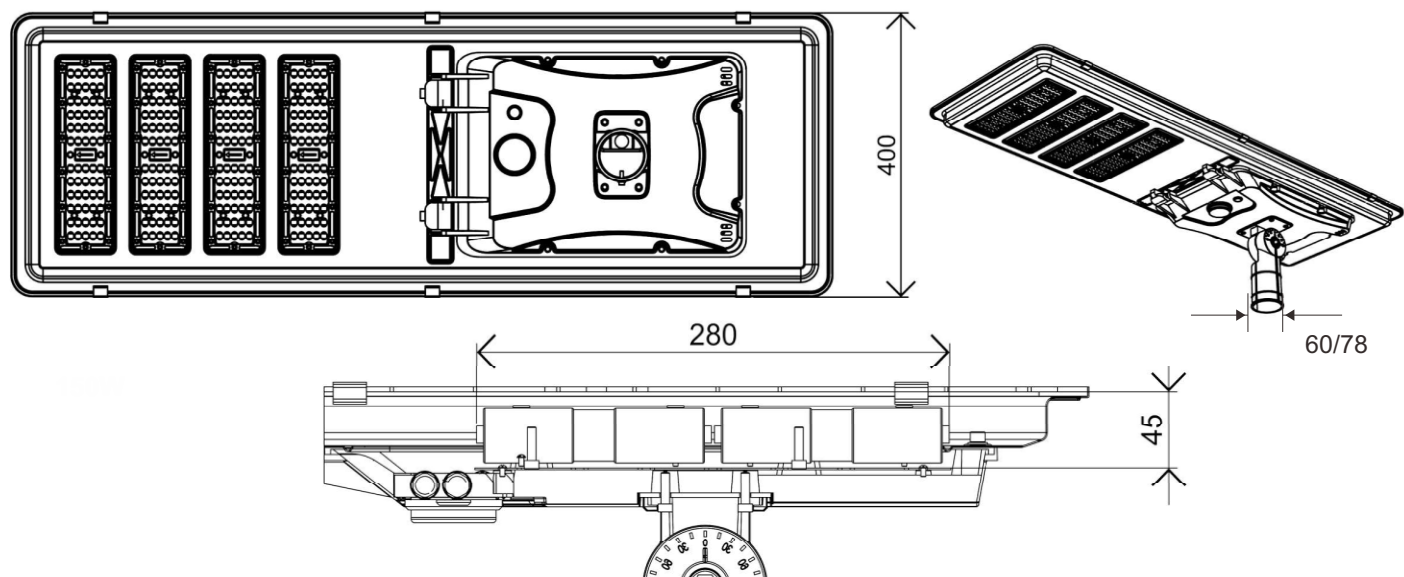
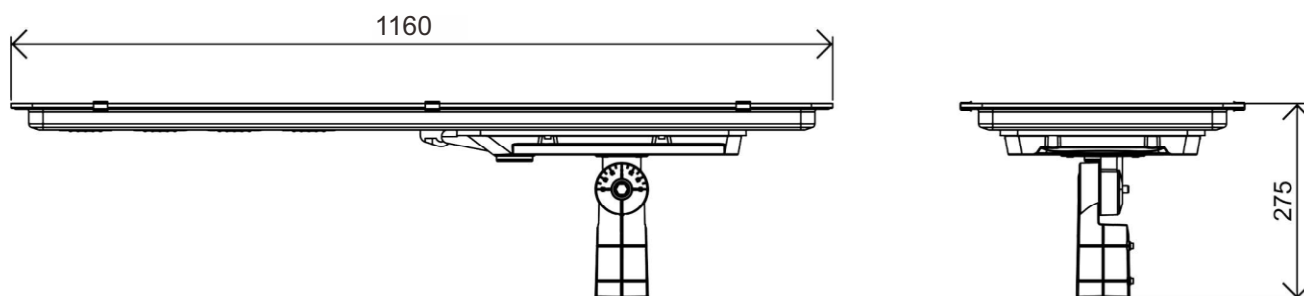
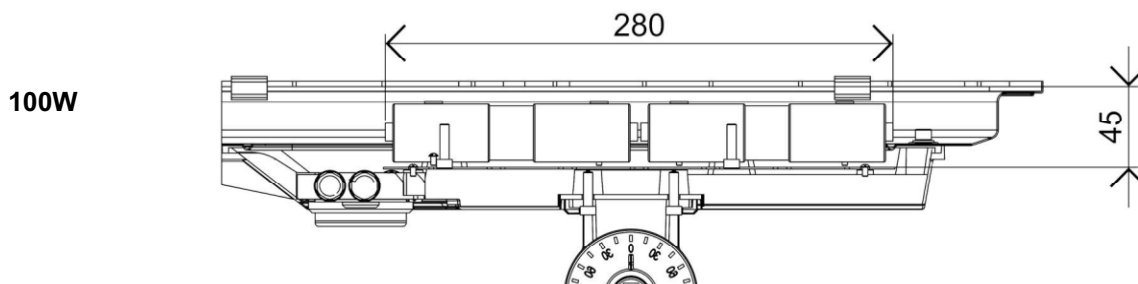
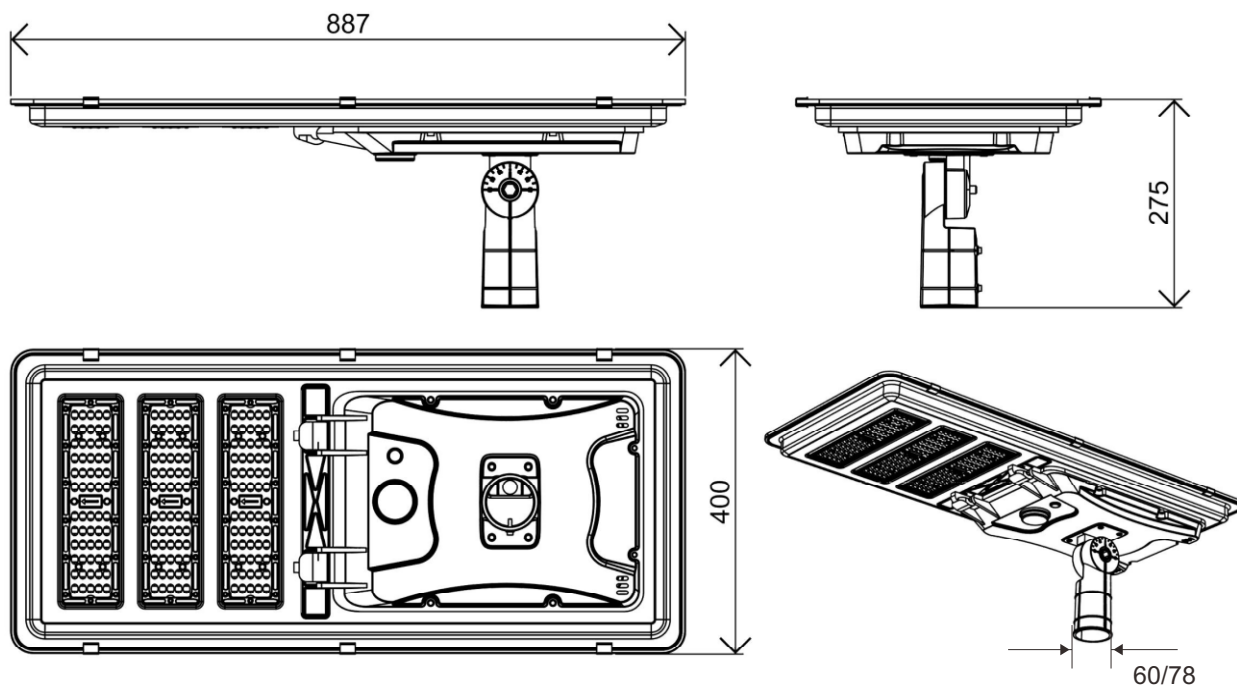
Ordering Information:

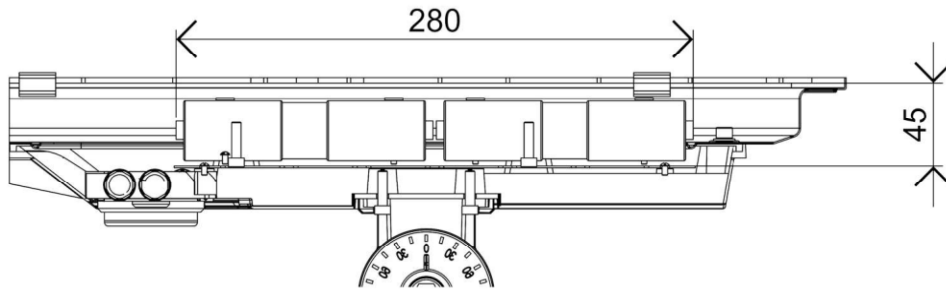
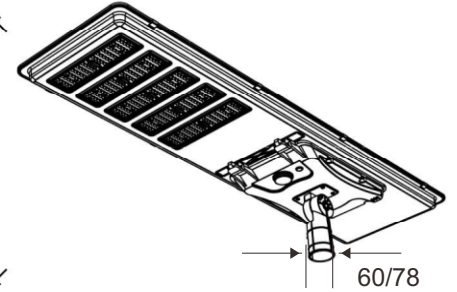
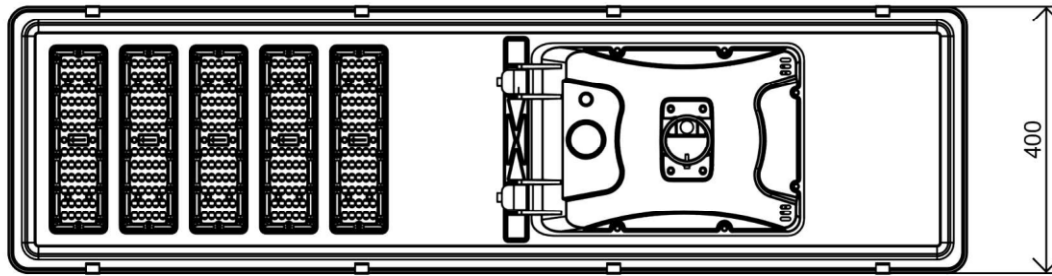
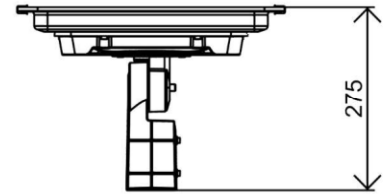
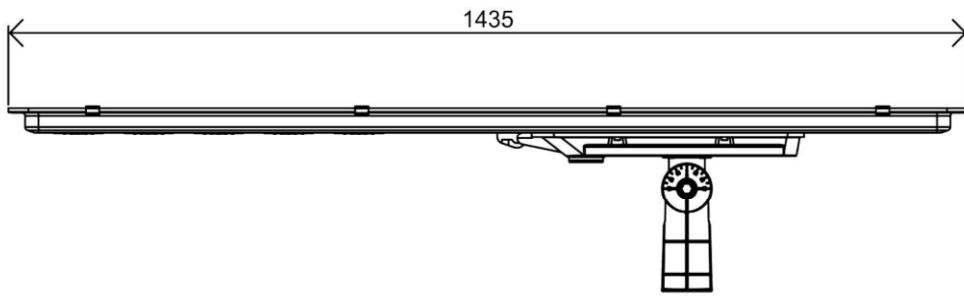
Example: VE-SLD-XXX-A3

Notes: For OEM&ODM orders, pls inquiry sales team.

Area Series	Watts	Version	Control	CCT	Installation	Color
VE-SLD	100W 150W 200W	A3	Blank- Photocell Sensor Motion Sensor	SW-2700K WW-3000K NW-4100K DW-5000K CW-5700K SCW-6500K	A- Round pole Mounting B- Bracket Mounting C- Aluminum sleeve mounting	Silver Black Bronze (Customized)

Accessories: Expansion screws bag





200W

PROJECTS

By using our 100W street Light to replace 300W Metal Halide bulb for open-parking ground lighting fixtures, the customer is now able to save a lot per month from his electric bill.



Replace

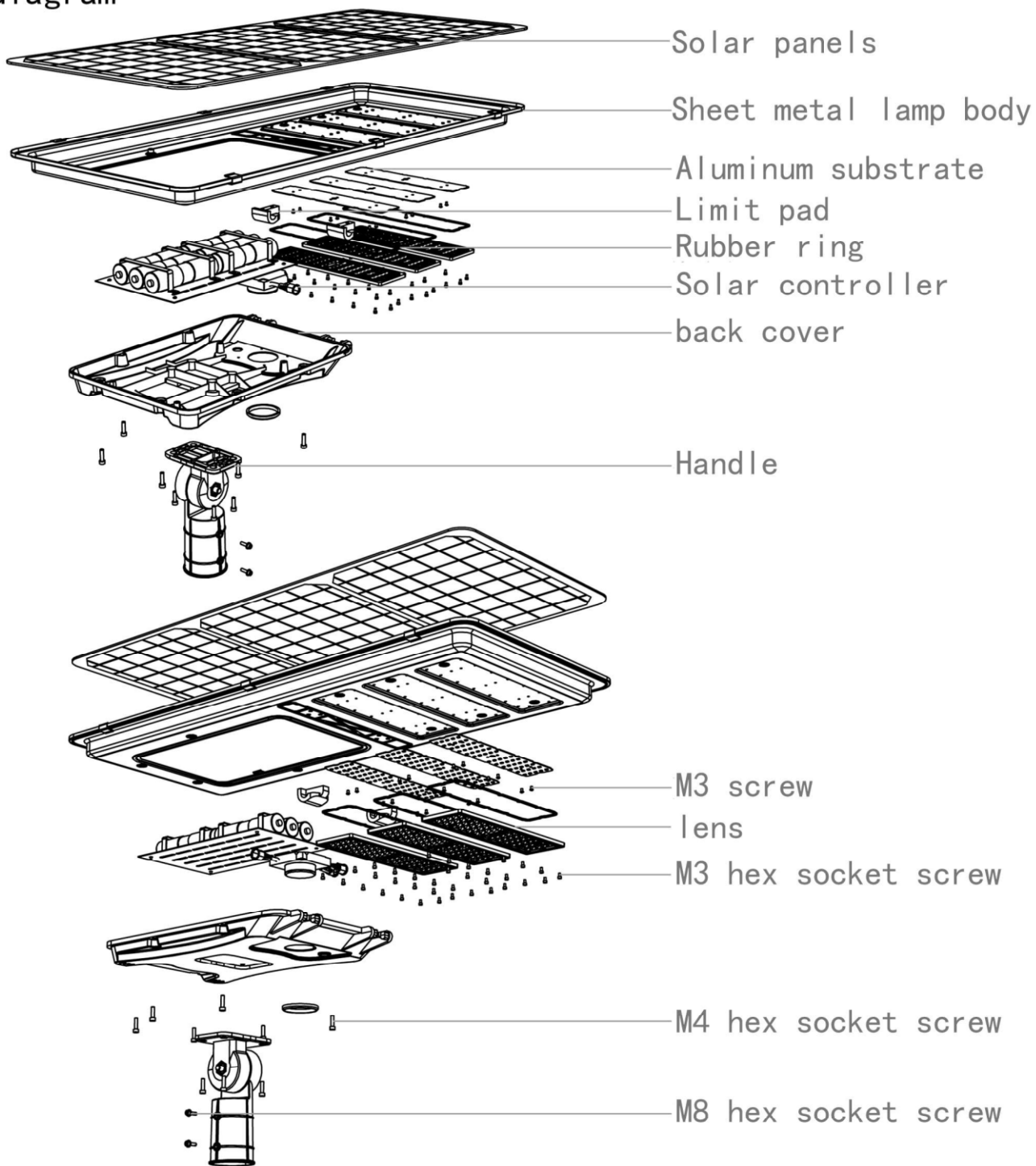
100W LED = 300W MH



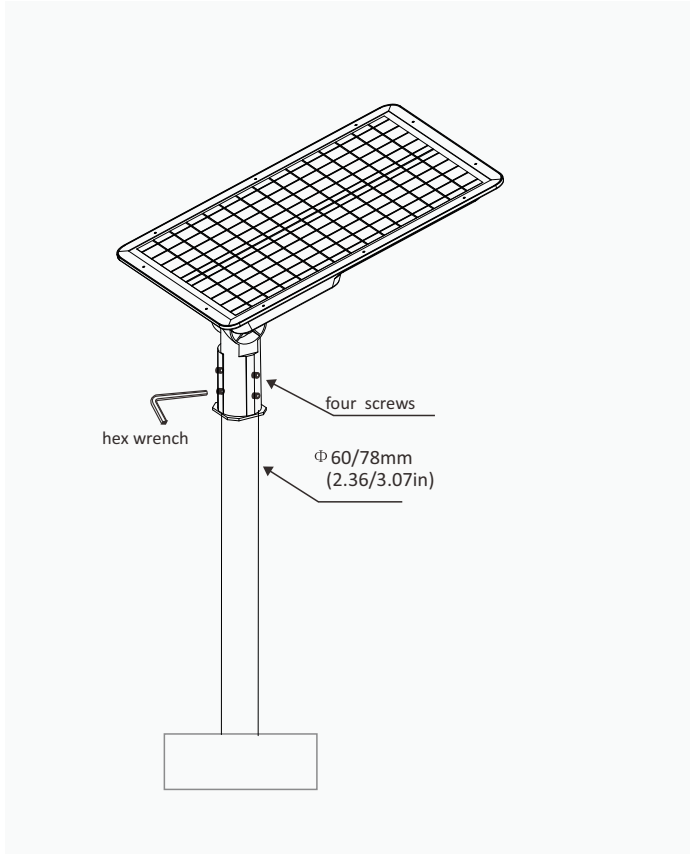
Note:

- Don't take the LED lamp apart.
- Voltage according to the specification.

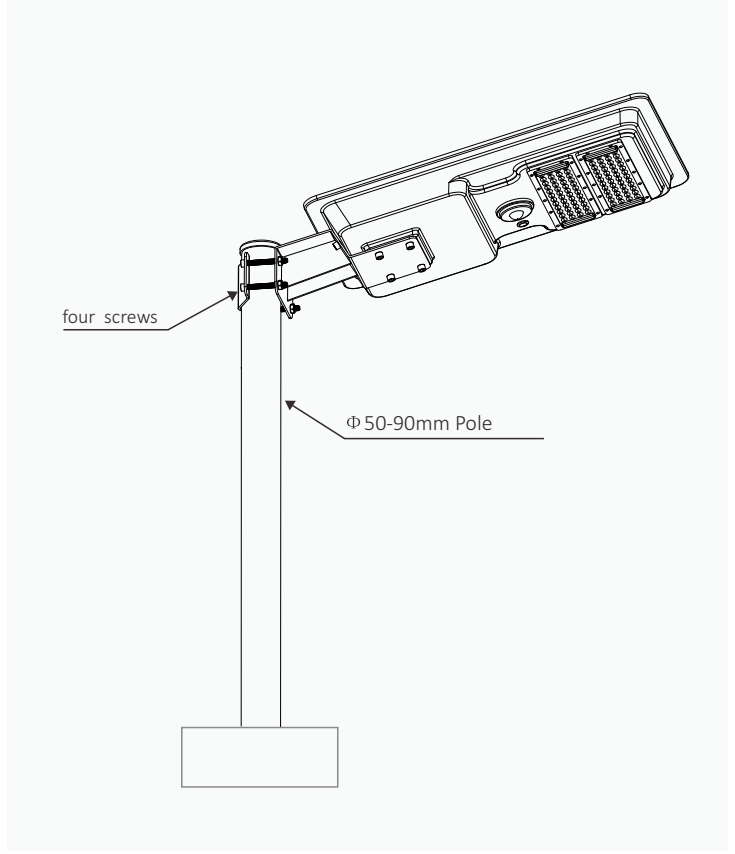
Explosion diagram



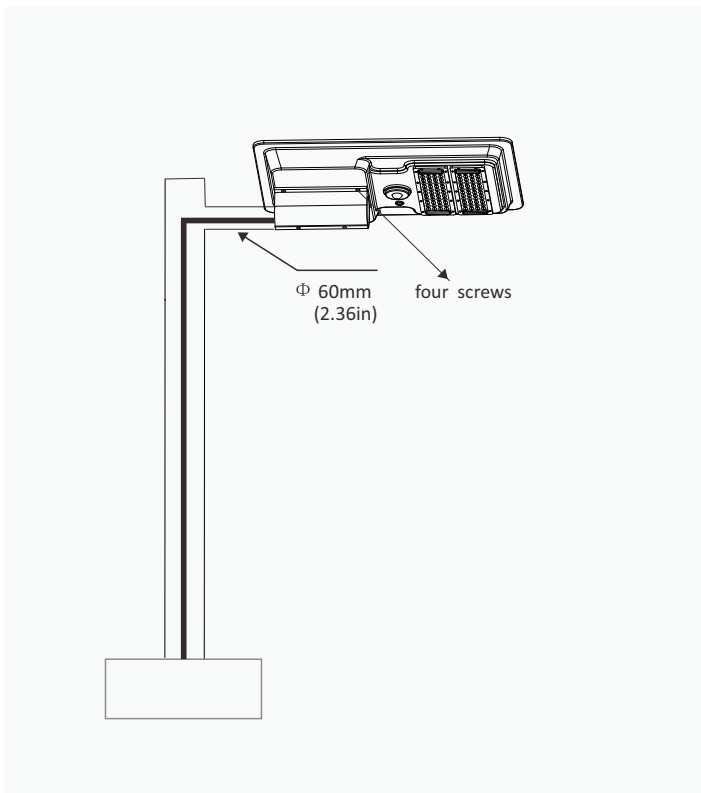
Installation



1.Round pole Mounting

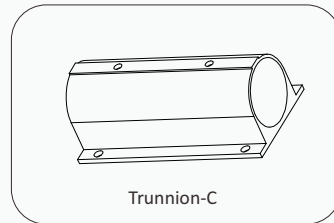
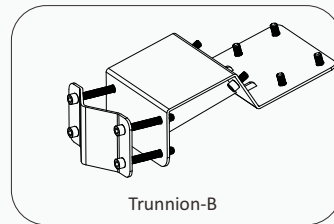
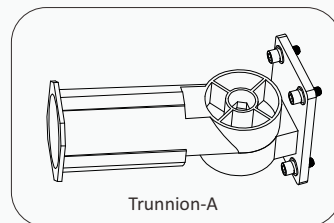


2.Bracket Mounting



3.Aluminum sleeve mounting

Mounting Bracket:



Installation guide

Please contact sales staff if you need help during installation

