



LED GROW LIGHT SHINE Series

100/150/200/300/450/600W



Intelligent control with WIFI capability
Board module design, more flexible as you need
High efficiency Full-Spectrum artificial nature light



FEATURES

Application

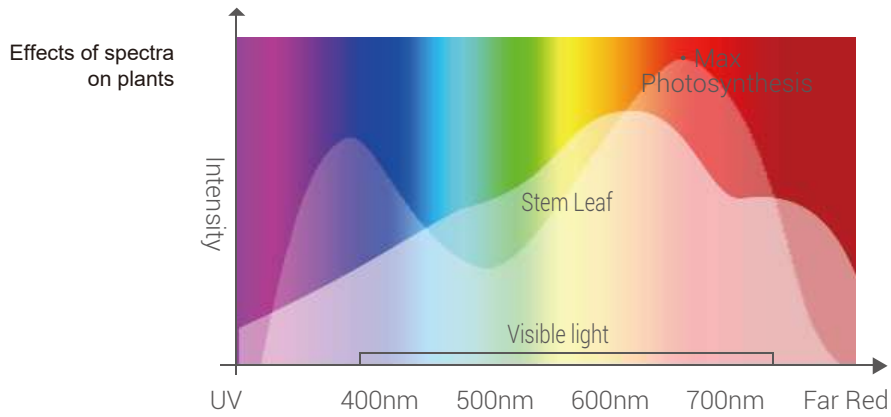
Shine Series LED grow light features a full-spectrum artificial nature light which is true high efficient lighting from seedling to harvest, and is an ideal choice for novice grower, vertical farms, hydroponics and commercial growers.

Construction

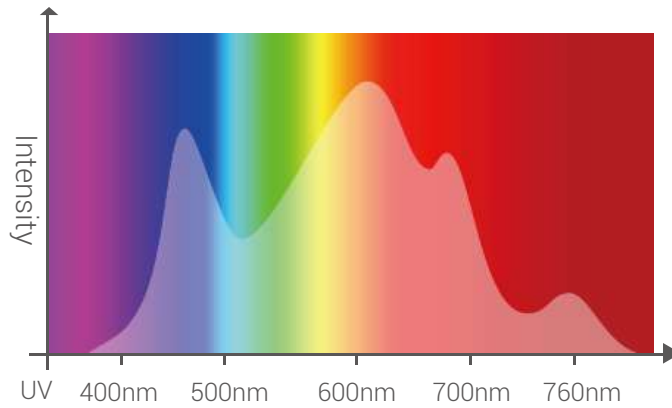
The splicing board module design of this fixture not only makes larger heat dissipation area and faster heat conduction but also make easy to control the size and area as you need, let alone this series of lights supports the intelligent control with WiFi capability.

Performance Data		LS-GLO-100W	LS-GLO-150W	LS-GLO-200W	LS-GLO-300W	LS-GLO-450W	LS-GLO-600W
General	Lumens	17000 lm	22500 lm	34000 lm	51000 lm	76500 lm	102000 lm
	Lumen Efficiency	170LM/W					
	Light Color	660nm, 3000K, 5000K, IR 730nm (Full Spectrum)					
	Beam Angle	120°					
	Material	Die-Casting Aluminum + PC Lens					
	PPF	270μmol/s	405μmol/s	540μmol/s	810μmol/s	1215μmol/s	1620μmol/s
	Efficacy	2.7umol/J					
Electrical	Lifespan	>60,000 hours					
	Power	100W	150W	200W	300W	450W	600W
	Input Voltage	AC100-277V					
	Frequency	50/60Hz					
Surge Protection		4KV					
Physical & Listing	Temperature	-22°F to 113°F (-30°C to 45°C)					
	Dimming	20% - 100% (App control) or 0-100% Knob Dimming					
	Listings	UL, DLC, CE, RoHS					
	IP Rating	Suitable for wet location					
	Warranty	5 Years					

SPECTRUM



Relative Spectra Shine Series



- Light from 400 to 520nm (blue) and 610 to 720nm (red) contributed the most to photosynthesis.

PLANTING GUIDANCE

SUGGEST HANGING DISTANCE

- Seedling: 24 inch
- Germination: 24 - 30 inch
- Vegetative: 18- 24 inch
- Flowering: 12- 18 inch

SUGGEST LIGHTING TIME

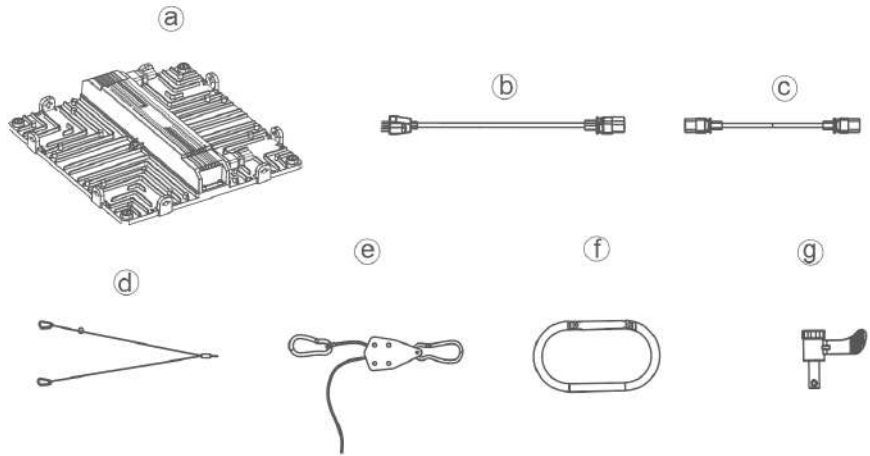
- Vegetative: 18 hours ON
- Flowering: 12 hours ON

WATTAGE	Optimal planting area	VEG - Dimming index	Flowering - Dimming index	Expected yield
100W	2' x 2'	70%±5%	100%	0.50-0.60lbs
150W	2.5' x 2.5'	70%±5%	100%	0.78-0.88lbs
200W	2' x 4'	67%±5%	100%	1.05-1.15lbs
300W	3' x 3'	56%±5%	100%	1.60-1.70lbs
450W	4' x 4'	64%±5%	100%	2.43-2.53lbs
600W	6' x 6'	73%±5%	100%	3.25-3.35lbs

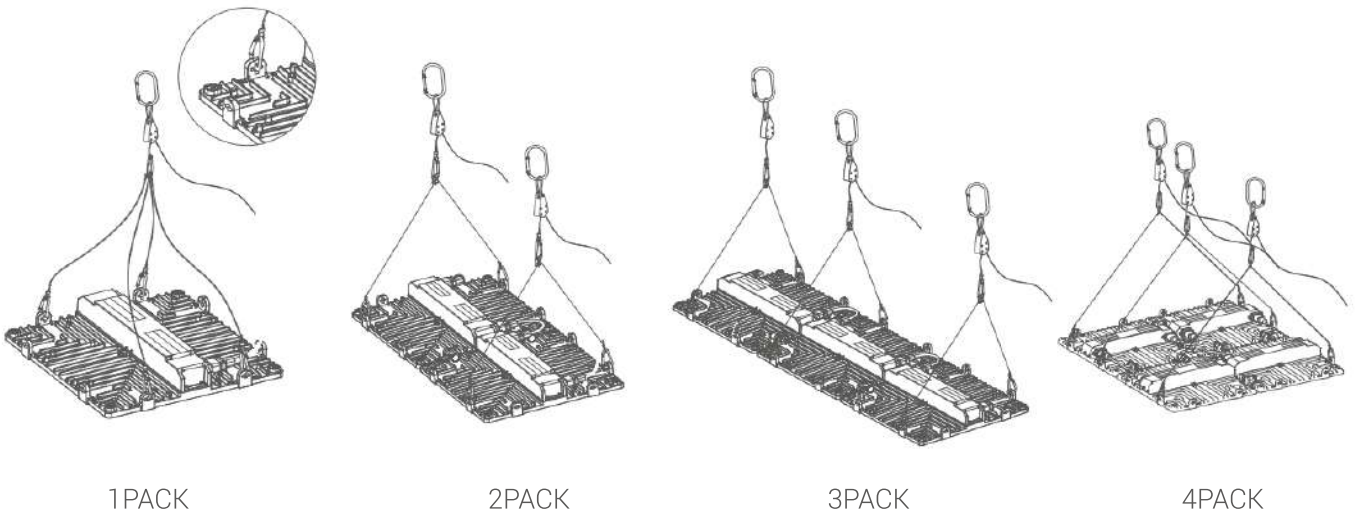
INSTALLATION

LIST OF GROW LIGHT ACCESSORIES

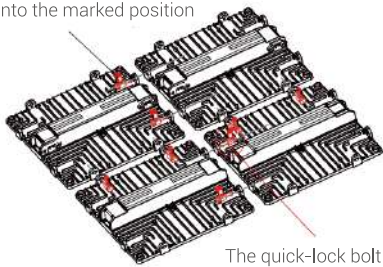
- a. LED grow light fixture
- b. Input power cord (6.5ft)
- c. Daisy chain cord
- d. Hanging cords with carabiners
- e. Adjustable pulley systems (6.5ft)
- f. Carabiner
- g. Quick-lock bolt



- Attach 4 small carabiners to 4 holes on back side of the light and connect with adjustable lifting rope, then plug the power cord to the socket.

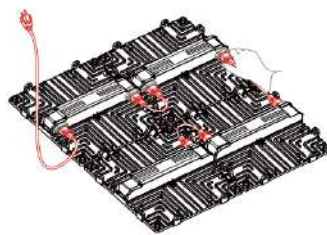


Insert the quick-lock bolt into the marked position



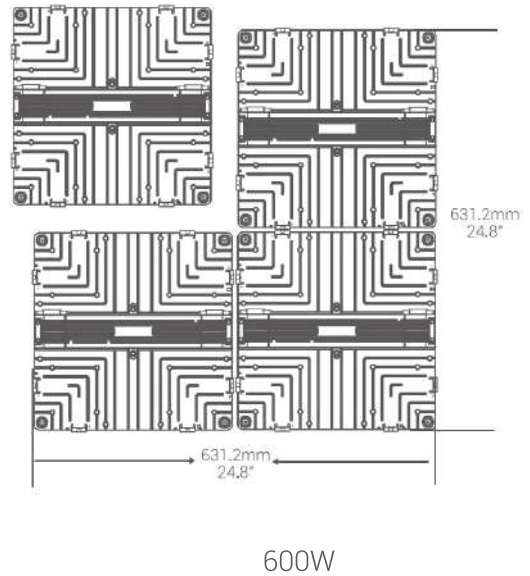
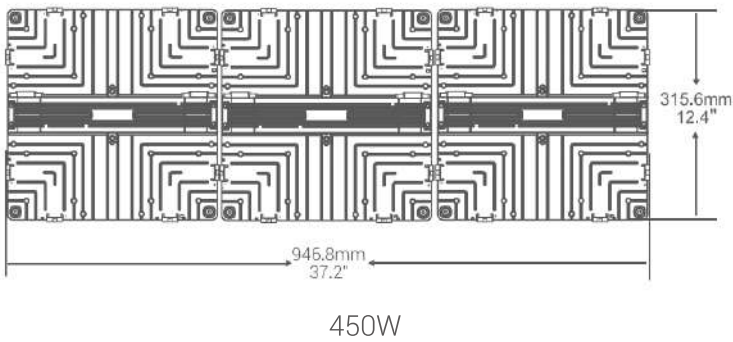
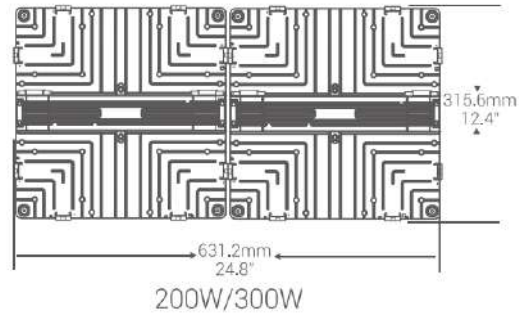
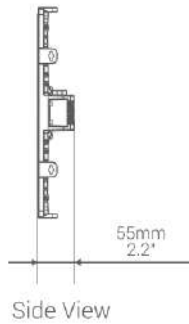
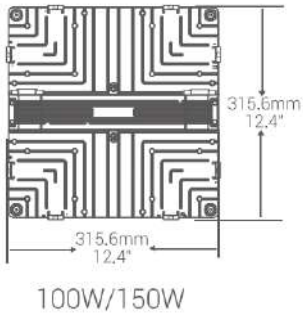
The quick-lock bolt in this place should be installed opposite to other three bolts in the same row.

- Insert the power cord into the marked position



▲ NOTE: The maximum wattage is 900W for daisy-chained fixture

DIMENSION & PACKING INFO



Splicing options:

- 1x1 (100/150W)
- 1x2
- 1x3
- 2x2
- 2x3
- ...

Model	Power	Net Weight	Gross Weight	Carton Size
LS-GLO-100W/150W	100W/150W	3.00Kg (6.61lbs)	3.62Kg (7.98lbs)	350x350x90mm (1mod/ctn)
LS-GLO-200W/300W	200W/300W	6.00Kg (13.22lbs)	8.16Kg (17.98lbs)	350x350x160mm (2mod/ctn)
LS-GLO-450W	450W	9.00Kg (19.84lbs)	11.80Kg (26.01lbs)	350x350x240mm (3mod/ctn)
LS-GLO-600W	600W	12.00Kg (26.45lbs)	15.87Kg (34.98lbs)	350x350x310mm (4mod/ctn)

SMART WIRELESS CONTROL

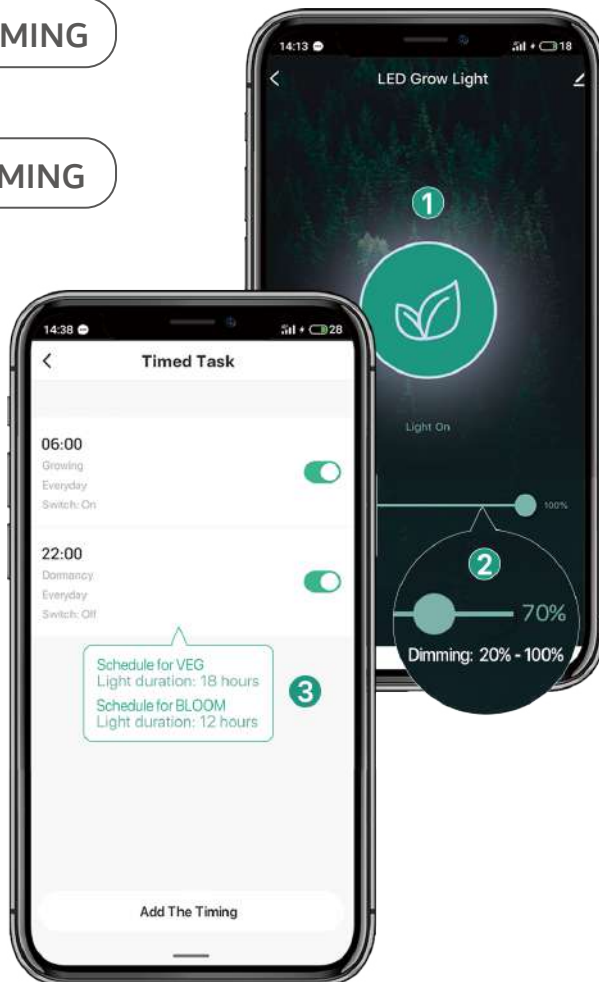
Standard function with WIFI control system. Super easy to handle the switch, dimming, timing and group control by APP from the 3rd party.

Growers can set the ideal intensity at any stage of plant growth for optimal photosynthesis activation.

1 SWITCH

2 DIMMING

3 TIMMING



4 FAMILY GROUP

MORE

Maximum 8pcs for a common domestic router.(Quantity limited by the router performance)