

# Series VGN-Gooseneck Light



ValueEngineeredLighting  
ARCHITECTURAL LIGHTING PRODUCTS

## DESCRIPTION

Our new Gooseneck Light is a unique decorative lighting fixture that allows you to update the look of your building. Elegant and curved goose neck arm, simple and low-key appearance design, can be well applied to a variety of architectural styles. Installation is quick and easy, and the 28W has a strong function that can support 5 color temperature adjustment.



## SPECIFICATION FEATURES

### Construction

- Durable surface coating powder spraying can extend the durability of the fixture.
- The integrated shell design can make good use of a variety of wet location environments.
- 5VA rated PC housing for 12W model and die-cast housing for 28W model.

### Optics

- General distribution type for most environments.
- Scalable Lumen Packages from 1000 to 3000 Lumens.
- The use of advanced refraction and reflection optical design concepts provides an optimal combination of vertical and horizontal illumination.

### LED Module

- Dedicated CCT 3000K 4000K and 5000K are available for 12W while the 28W offers Selectable CCTs, can be adjusted to be 2700K/3000K/4000K/5000K/6500K.

### Electrical

- Line Voltage 120V for the 12W model, Universal Voltage 120-277VAC for the 28W model.
- 28W supports the standard 0-10V dimming driver configuration, 12W does not support dimming.
- Both drivers have a power factor >90%, THD <20%.
- Operating Temperature Range: -40°C to 40°C (-40°F - + 104°F).

### Control

- Integrated Photocell included.

### Installation

- wall mount.

### Lifespan

- Estimated 50,000-hour LED lifespan based on IES LM-80 results and TM-21 calculations.

### Warranty

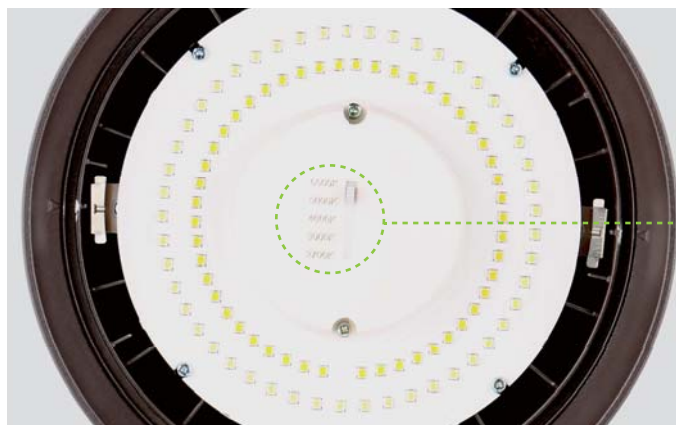
- Two-year limited warranty for 12W.
- Five-year limited warranty for 28W.

### Certifications

- UL cUL wet location pending.

### Note

- Actual performance may differ as a result of end-user environment and application. All values are design or typical values, measured under laboratory conditions at 25°C(±5°C) specifications subject to change without notice.

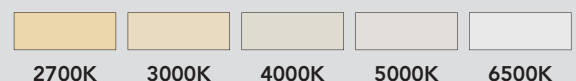


6500K  
5000K  
4000K  
3000K  
2700K

## CCT SELECTABLE

28W model has the function of field configurable CCTs.

### CCT SELECT



Five CCTs adjustable (2700K, 3000K, 4000K, 5000K, 6500K)

## PERFORMANCE DATA

SYSTEM WATTS	VOLTAGE	CRI	3000K		4000K		5000K	
			LUMENS	LPW	LUMENS	LPW	LUMENS	LPW
12W	120V	80	1000lm	83 lm/W	1000lm	83lm/W	1000lm	83lm/W

## CCT ADJUSTABLE

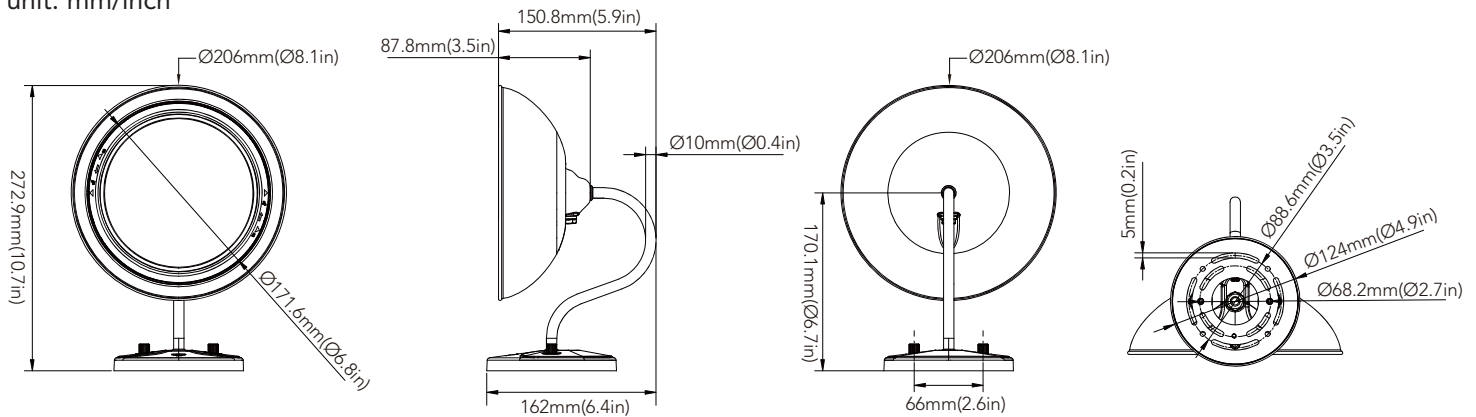
SYSTEM WATTS	VOLTAGE	CRI	2700K		3000K		4000K		5000K		6500K	
			LUMENS	LPW	LUMENS	LPW	LUMENS	LPW	LUMENS	LPW	LUMENS	LPW
28W	120-277V	80	3000lm	107lm/w	3000lm	107lm/w	3000lm	107lm/w	3000lm	107lm/w	3000lm	107lm/w

## ELECTRICAL DATA

NUMBER OF DRIVERS	DRIVER CURRENT (mA)	NOMINAL POWER (W)	INPUT VOLTAGE (V)	CURRENT (Amps)
1	450	28	120	0.23
		28	208	0.13
		28	240	0.12
		28	277	0.10

## DIMENSION

unit: mm/inch



Remarks: the same size for both models.

## ORDERING GUIDE

Example: MGN0128W27VDDKDPY

Fixture Type	Wattage	Input Voltage	CCT	Finish	Photocell (Option)	Internal Code
VGN01 Gooseneck LED fixture series	12W 28W	12V 120V 27V 120-277V	DDK Adjustable color temperature 30K 3000K 40K 4000K 50K 5000K	D Dark Bronze	P With Photocell	Blank Alphanumeric

Note: 1. Single CCT 3000K, 4000K and 5000K are available for 12W, only the 28W available for DDK .  
2. 12W supports 120V voltage input, 28W supports 120-277V voltage input.