

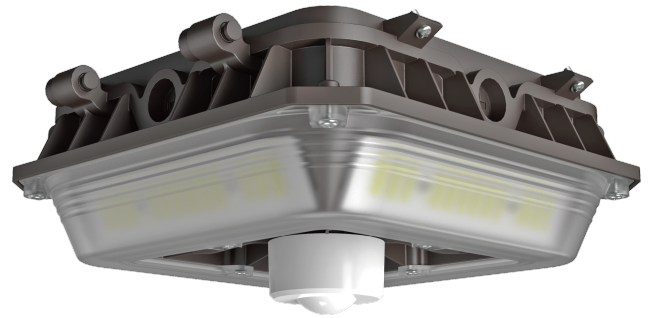
LED CANOPY VCP08



ValueEngineeredLighting
ARCHITECTURAL LIGHTING PRODUCTS



The VCP08 is a cost-effective, energy-efficient LED luminaire for surface-mount applications in commercial buildings, retail and educational facilities. The thin and lightweight design and excellent heat dissipation of the housing extends its life. A precision-engineered optical lens reduces glare, improves optical performance, and provides comfortable illumination. The VCP08 comes with an external quick-mount plate for standard J-BOX mounting, and is also compatible with 3/4" pendant fixtures, with 1/2" knock-out holes reserved on four sides, suitable for surface conduit wiring installation. The VCP08 also supports four lumen packages (100%, 80%, 60%, 40%); and three CCTs (3000K, 4000K, 5000K).



SPECIFICATION FEATURES



Construction

- Rugged die-cast housing secures the thermally conductive LED panel and electrical chamber.
- Casting thermally conducts LED heat to optimize performance and long life.
- With corrosion-resistant powder coating that provides protection and architectural appearance while adapting well to the environment in the garage.

Optics

- Light engines are available in color tunable version, the CCT can be changed to 3000K/4000K/5000K.
- Scalable Lumen Packages from 2,600 to 10,500 Lumens.
- Parking Garage photometry.

Electrical

- Universal 120-277VAC input voltage.
- Standard 0-10V dimming driver for 10% to 100% dimming.
- Wattage adjustable: 100%, 80%, 60%, 40%.
- Both drivers have a power factor >90%, THD <20%.
- Operating Temperature Range: -40°C to 40°C (-40°F - + 104°F).

Note: Operating with emergency battery temperature range:
10°C to 40°C (+50°F - + 104°F).

Controls

- Standard sensor receptacle.
- Optional PIR sensor.
- Optional Emergency Battery.

Lifespan

- Estimated 50,000-hour LED lifespan based on IES LM-80 results and TM-21 calculations.

Warranty

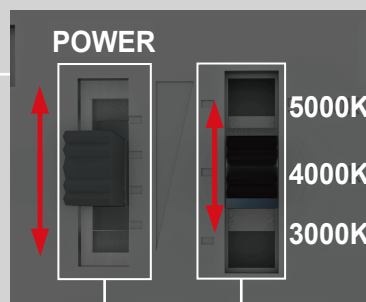
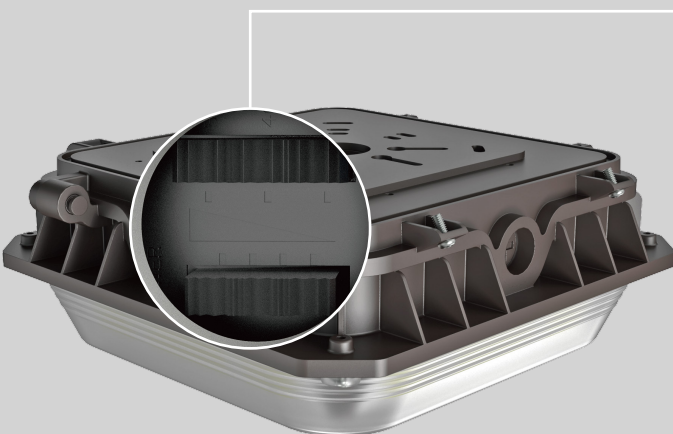
- Five-year limited warranty.

Certifications

- UL cUL wet location listed.

Note

- Actual performance may differ as a result of end-user environment and application. All values are design or typical values, measured under laboratory conditions at 25°C(±5°C) specifications subject to change without notice.



CCT AND WATTAGE SELECTABLE

This fixture has the function of adjusting the lumens output and color temperature on-site.

WATTAGE SELECT



Each model supports 4 positions wattage regulation:
100%, 80%, 60%, 40%

CCT SELECT



Offer three CCT adjustable
(3000K, 4000K, 5000K).

Battery backup option

The optional built-in emergency battery back-up provides 8W, 90-minute emergency lighting while maintaining product integrity and aesthetics.



1/2inch knock hole

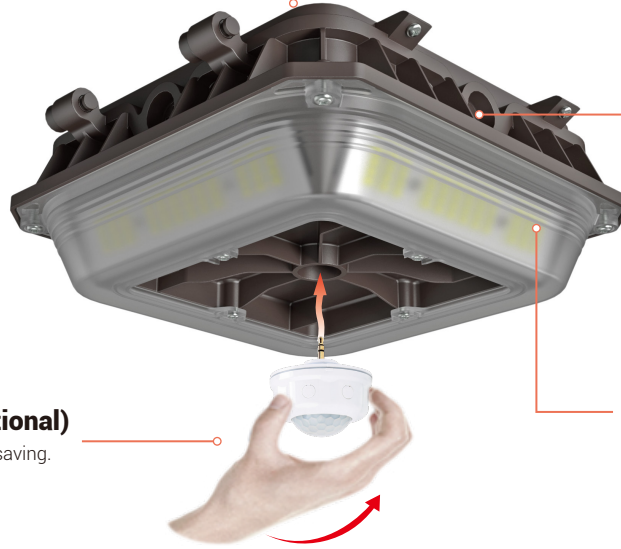
With 1/2" knock-out holes reserved on four sides, suitable for surface conduit wiring installation.

Photometry

Parking garage photometry with a low glare, comfortable lighting effect.

Plug-and-Play Sensor (optional)

Sensor allows for security and energy saving.



Install in 3-Seconds

PERFORMANCE DATA

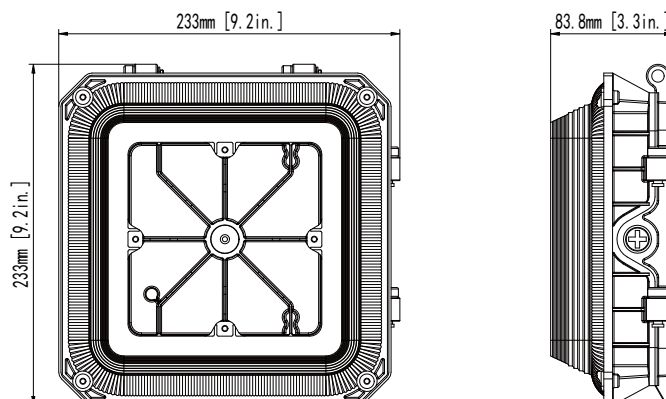
VCP0840W							
SETTING	SYSTEM WATTS	3000K(CRI70)		4000K(CRI70)		5000K(CRI70)	
		LUMENS	LPW	LUMENS	LPW	LUMENS	LPW
L1	40W	5900lm	148 lm/W	6200lm	155 lm/W	6000lm	150 lm/W
L2	32W	4900lm	154 lm/W	5100lm	161 lm/W	5000lm	156 lm/W
L3	24W	3800lm	158 lm/W	3900lm	165 lm/W	3800lm	160 lm/W
L4	16W	2600lm	162 lm/W	2700lm	169 lm/W	2600lm	164 lm/W

VCP0860W							
SETTING	SYSTEM WATTS	3000K(CRI70)		4000K(CRI70)		5000K(CRI70)	
		LUMENS	LPW	LUMENS	LPW	LUMENS	LPW
L1	60W	8900lm	148 lm/W	9400lm	158 lm/W	9000lm	150 lm/W
L2	48W	7400lm	154 lm/W	7900lm	164 lm/W	7500lm	156 lm/W
L3	36W	5700lm	158 lm/W	6100lm	168 lm/W	5800lm	160 lm/W
L4	24W	3900lm	162 lm/W	4100lm	172 lm/W	3900lm	164 lm/W

VCP0870W							
SETTING	SYSTEM WATTS	3000K(CRI70)		4000K(CRI70)		5000K(CRI70)	
		LUMENS	LPW	LUMENS	LPW	LUMENS	LPW
L1	70W	9900lm	141 lm/W	10500lm	150 lm/W	10000lm	143 lm/W
L2	56W	8200lm	147 lm/W	8700lm	156 lm/W	8300lm	149 lm/W
L3	42W	6300lm	151 lm/W	6700lm	160 lm/W	6400lm	153 lm/W
L4	28W	4300lm	155 lm/W	4600lm	164 lm/W	4400lm	157 lm/W

DIMENSION

unit: mm/inch



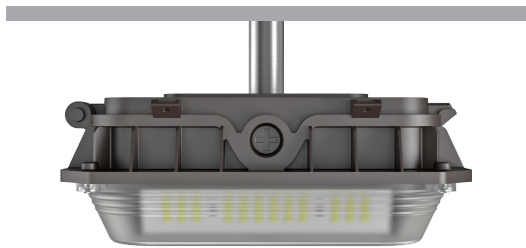
MOUNTING 1

Surface Mounted With J-Box





MOUNTING 2

Conduit Pendant Mount



ACCESSORIES (Optional)

 <p>Emergency Battery Backup (Optional) Description: 8W 900lm 90min</p>	 <p>Plug-and-Play PIR Sensor, 10-15VDC PIR sensor: MHANT12VPH02 Description: Preset for 5min hold time, 30 min standby time at 30% dim. daylight disabled. Bluetooth PIR sensor: MHANT12VPHB02 Description: Sensor and Fixture controller for HAISEN system</p>
---	---

ORDERING GUIDE

Example: VCP08 40W 27V DDK Y Y Y Y Y

Fixture Type	Wattage	Voltage	CCT	Finish	Sensor (Option)	Emergency Battery (Option)	CCT and Power Adjustable	Internal Code
<input type="text"/>	<input type="text"/>	<input type="text"/>	<input type="text"/>	<input type="text"/>	<input type="text"/>	<input type="text"/>	<input type="text"/>	<input type="text"/>
VCP08 Canopy Series	40W 60W 70W	27V 120-277V	DDK ¹ Adjustable color temperature	D Dark Bronze B Black W White	M With Sensor Blank Without Sensor	B Emergency Battery Blank Without Emergency Battery	AD ¹ With Adjustment Dial	Blank Alphanumeric

Note: CCT and power adjustable.