

STRAIGHT ROUND DIRECT BURIAL POLE



ValueEngineeredLighting
ARCHITECTURAL LIGHTING PRODUCTS

FEATURES & BENEFITS

● Pole Specifications:

Conforms to ASTM-A 500 Grade B: minimum yield strength of 46,000 PSI.
Wall thickness available in 11 gauge (0.120"), 7 gauge (0.179").

● Finish:

Bronze powdercoat finish to ensure maximum paint adhesion. Baked to ensure maximum hardness & durability.

● Anchor Bolts:

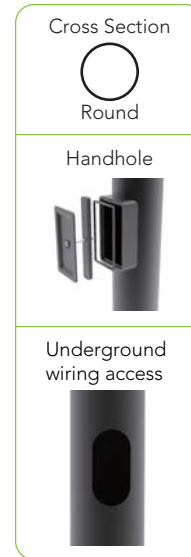
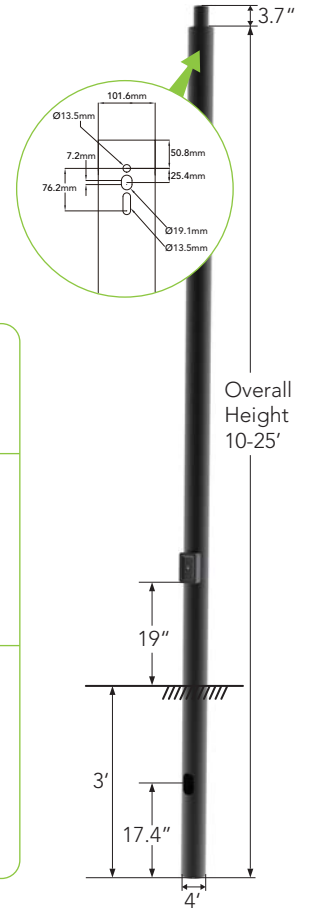
Anchor bolts are not included, sized based on pole data charts for the selected pole size.

● Hand Hole:

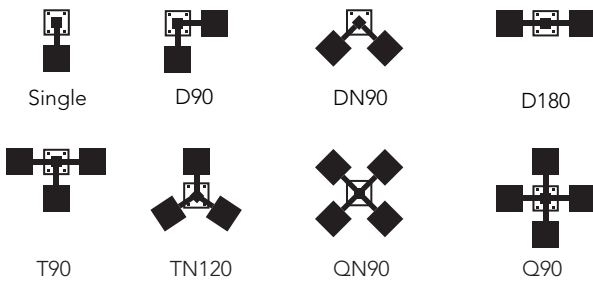
Reinforced cast iron hand-hole cover with ground screw.

● Pole Length:

Poles can be cut to a custom length according to order.

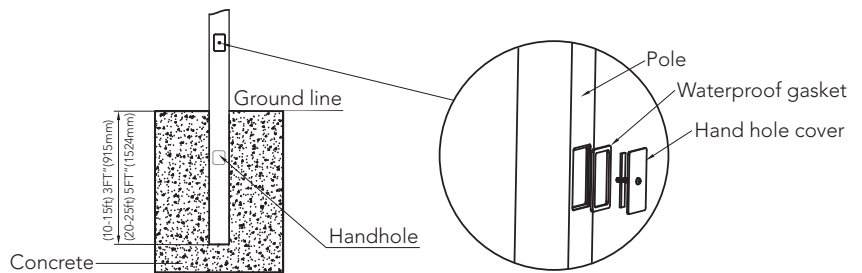


MOUNTING OPTIONS:



INSTALLATION

After digging the corresponding size foundation hole by pressing the table at the location of the light pole installation, put the embedded end of the light pole into the hole, and keep it perpendicular to the ground, and fix it with concrete casting.



ORDERING INFORMATION

Example: **MRP** **10FT** **4IN** **11G** **D** **DB**

Model	Height	Size	Thickness	Finish	Mounting
MRP Straight Round Poles	10FT (3.0 M)	4IN (4" Diameter)	7G (7 Gauge)	D Dark Bronze	DB Direct Burial
	15FT (4.6 M)	5IN (5" Diameter)	11G (11 Gauge)	B Black	
	20FT (6.1 M)			W White	
	25FT (7.6 M)				

Note: 1. 10-15ft suit for 4in, 11G.
2. 20-25ft only suit for 5in, 7G, see technical details table for complete ordering information.

TECHNICAL DETAILS

Catalog Number	Shaft Size (in)	Shaft Height (ft)	Wall thick (in)	Gauge	Weight (LBS)	Maximum EPA with 1.3 Gust Factor			
						80 mph	90 mph	100 mph	120mph
MSP-10FT-4IN-11G-DB	4"	10	0.12	11	67	9	6.7	5	3
MSP-15FT-4IN-11G-DB	4"	15	0.12	11	98	10.4	7.6	6.1	3
MSP-20FT-5IN-11G-DB	5"	20	0.12	11	156	9	7.3	5.9	4.2
MSP-25FT-5IN-11G-DB	5"	25	0.12	11	195	6.7	5	3.7	2