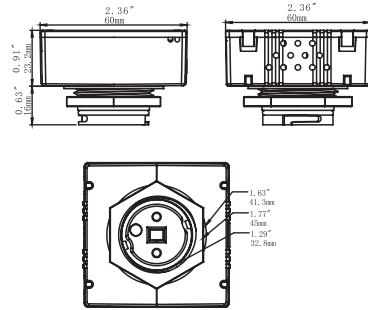


Line Voltage Passive Infrared Fixture Integrated Outdoor Sensor SK618 Instruction



Product brief

The SK618 mounts in an outdoor lighting fixture and provides multi-level control based on motion and/or daylight contribution. It controls 0-10 VDC LED drivers or dimming ballasts, as well as non-dimming ballasts and, with an Fresnel Lens, is rated for wet and cold locations. All control parameters are adjustable via a wireless configuration tool capable of storing and transmitting sensor profiles.

Technical parameters

120/277 VAC, 50/60Hz
 800W/1200W Max Tungsten, Ballasts, LED driver
 1/6HP
 Detect Area: 360°, maximum coverage 60' diameter from 40' height
 High mode: 0-10 V; default 10 V
 Low mode: Off, 0-9.8 V; default 1 V
 Operating temperature: -104-158°F (-40-70°C)
 Operating Humidity: 20-90%
 IP66
 Five year warranty

Function and options

If Sensor in outdoor mode, it is better for outdoor using, so called outdoor mode. The light will on 10-30% automatically if the ambient light level below the lux set point. and the light will off automatically if the ambient light level high than 600Lux, even with presence detected.

OUTDOOR MODE(AUTO+TEST)



If with insufficient natural light the light automatically dims to 0,10% 20% 30%.



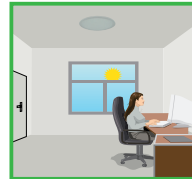
With insufficient ambient light, the sensor switches 100% on the light automatically when person enters the room.



People left, light dims to 0/ 10%/20%/30% (options) standby level after the hold time.



People left, light still dims to 0/ 10%/20%/30% if with insufficient ambient light.



Light will switch off automatically even with presence detected, if the ambient light is sufficient.

Line Voltage Passive Infrared Fixture Integrated Outdoor Sensor SK618 Instruction

INDOOR MODE



If with insufficient natural light, the light does not automatically dim to 0,10% 20% 30%.



With insufficient natural light, the sensor switches 100% on the light automatically when person enters the room.



People left, light still dims to 0/ 10%/20%/30% if with insufficient natural light.

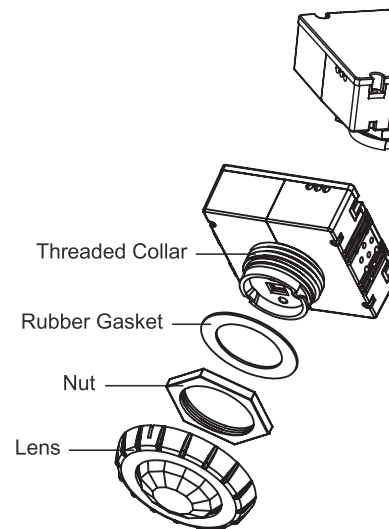


If with insufficient natural light switches off automatically after Semi bright brightness time standby period elapsed.

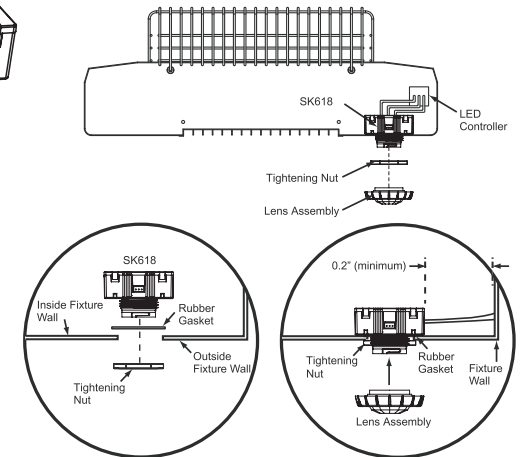
Difference

In outdoor mode: the light will on 10-30% automatically when ambient light level below the lux setpoint, even if even with presence is not detected. In indoor mode: the light will not on automatically when ambient light level below the lux setpoint.

Sensor module



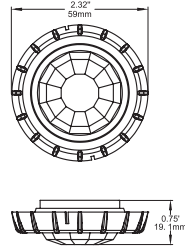
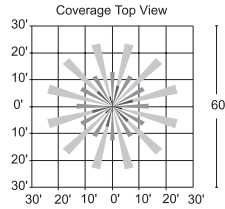
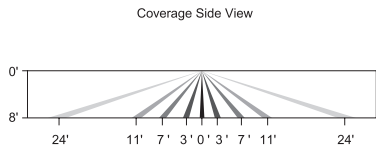
Mounting



Line Voltage Passive Infrared Fixture Integrated Outdoor Sensor SK618 Instruction

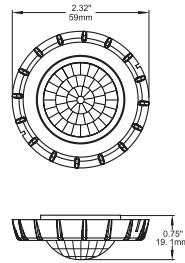
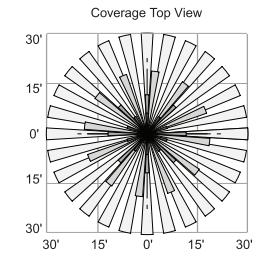
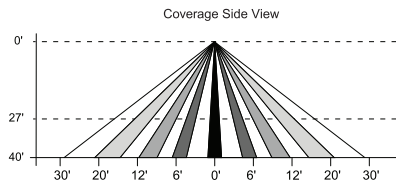
Coverage Patterns

LW1



LW1: 360° Coverage

LS2



LS2: 360° Coverage

Program functions

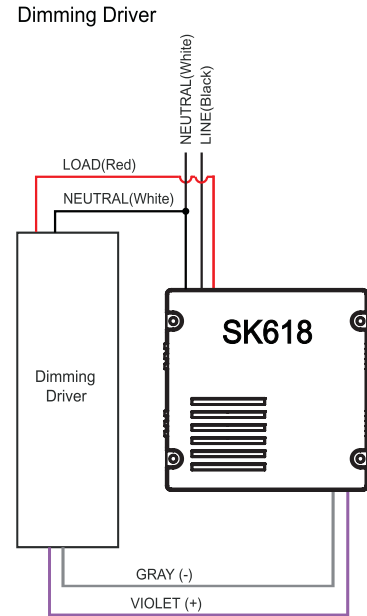
		Press the on/off button, the light goes to on/off if presence detected. The light back to auto mode if presence is not detected within 20mins. If press on+24H or off+24h, the light goes to permanent on or permanent off.		This button test 2s is for testing purpose only, the sensor goes to test mode (hold time 2s) automatically after commissioning, meanwhile the stand-by period and daylight sensor are disabled.
		sensor starts to work automatically before you push ON button and auto button auto mode default is:		One touch button, the default is
		Sensitivity		Hold-time
		Press this button, the latest surrounding lux value overwrites previous lux value learned, and is set as the daylight threshold. This feature enables the fixture to function well in any real application circumstance.		Press the buttons of the daylight sensor to set daylight threshold at 10lux/30lux/50lux/ (for daylight sensor disabled).
		Stand-by dimming level		Stand-by period (note: 24H is never off)



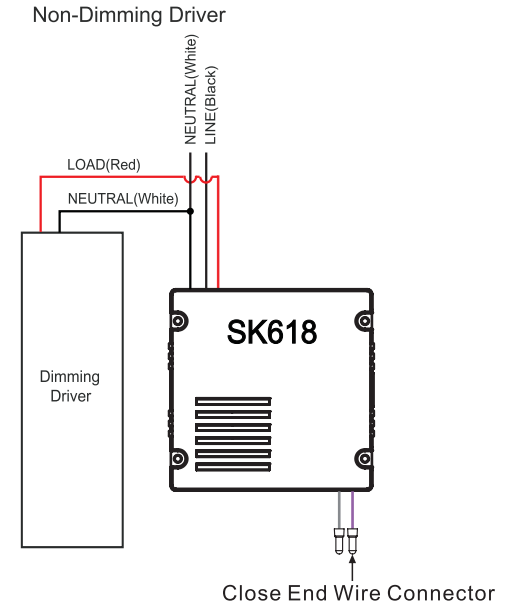
Line Voltage Passive Infrared Fixture Integrated Outdoor Sensor SK618 Instruction

Wiring Diagrams

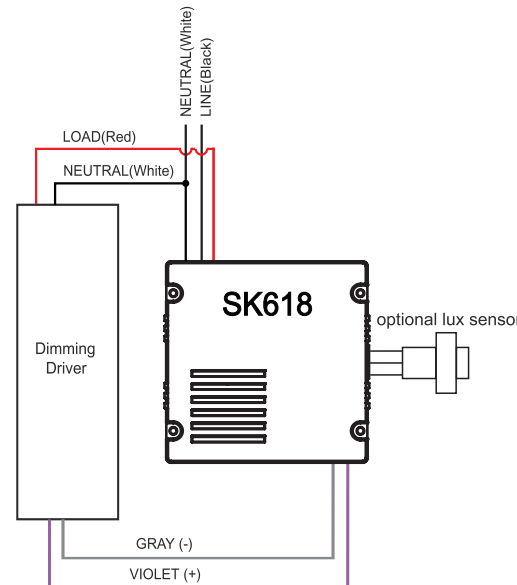
SK618 wiring with dimming ballast or LED driver.



SK618 wiring with non-dimming ballast or LED driver.



Dimming Driver (optional lux sensor)



Non-Dimming Driver (optional lux sensor)

