



LED Post Top Area Light

60W/100W/150W



Features:

- * 60W/100W is diameter 340mm, 150W is diameter 400mm. Smaller size.
- * Suitable to diameter 40mm/60mm/80mm pole.
- * Philips LED 130lm/w high brightness.
- * Dusk to dawn Photocell function available.
- * Dimmable available.
- * IP65 waterproof rating for wet and damp location.
- * Dual 10KV high voltage surge protection.
- * Quiet operation, no audible hum or noise.
- * Working environment in -30°C to 50°C .
- * DLC/ETL/CE/ROHS/LM79/LM80 for quality assurance and safety operation.
- * IES files are available.
- * 5 years warranty.

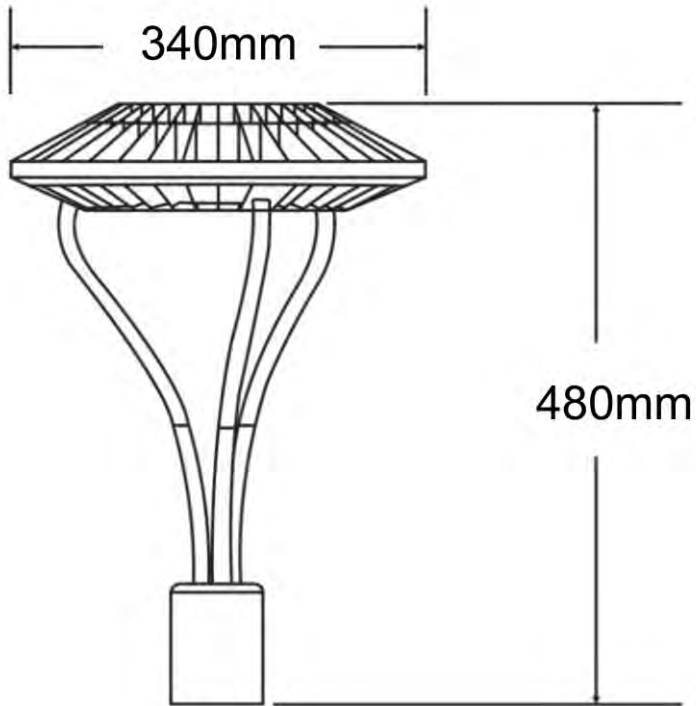


Specifications:

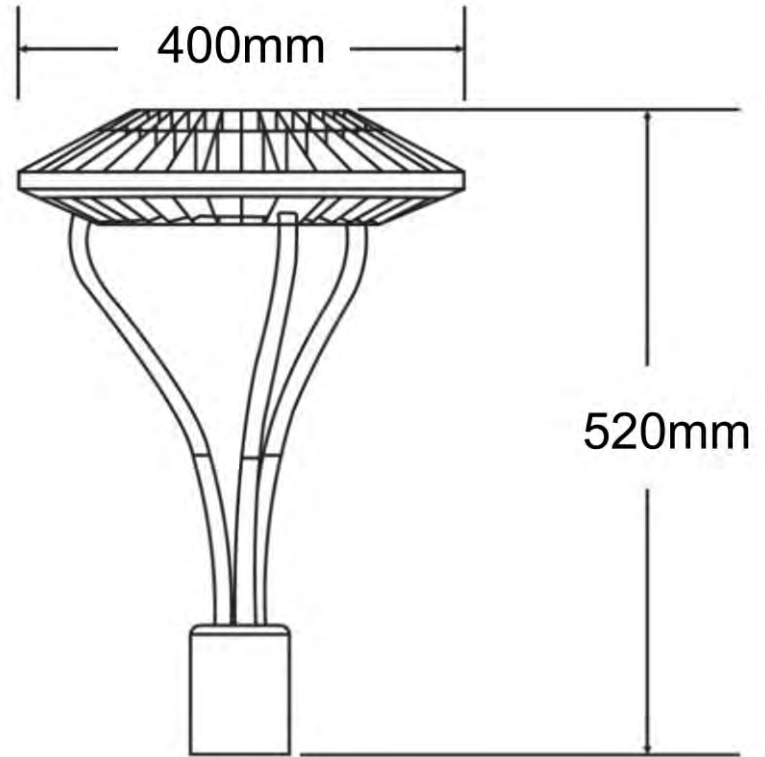
Model	VRMS-PT-60W	VRMS-PT-100W	VRMS-PT-150W
Wattage	60W	100W	150W
Beam Angle	120 Degree	120 Degree	120 Degree
Luminous Flux	7800lm	13000lm	19500lm
Color Temperature	3000K~6000K	3000K~6000K	3000K~6000K
Input Voltage	AC100-277V, 50-60Hz	AC100-277V, 50-60Hz	AC100-277V, 50-60Hz
Life Hours	50,000	50,000	50,000
LED Brand	Philips 3030	Philips 3030	Philips 3030
CRI	Ra>80	Ra>80	Ra>80
PF	>0.9	>0.9	>0.9
Surge Voltage	10,000V	10,000V	10,000V
IP Rating	IP65	IP65	IP65
Dimension	φ 340*H480mm	φ 340*H480mm	φ 400*H520mm
Package (L*W*H)	500*500*195 (mm)	500*500*195 (mm)	500*500*195 (mm)
Weight	5.2kg	5.3kg	6.62kg



Dimension:



60W/100W



150W

Details:

