

Series RFPMRI Recessed LED Panel



ValueEngineeredLighting
ARCHITECTURAL LIGHTING PRODUCTS

The RFPMRI is a recessed luminaire designed for use in MRI rooms and imaging suites. Sleek design and non-ferrous construction make the fixture safe for use around MRI equipment.

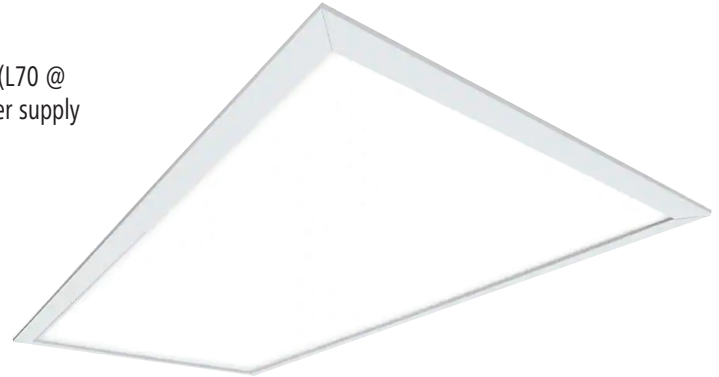
ELECTRICAL SYSTEM: Long-life LED system rated for >100K hours (L70 @ 45°C). Complies with federal energy efficiency standards. Remote mounted power supply available with up to 8 dimming drivers.

CONSTRUCTION: Non-Ferrous aluminum construction. White powdercoat finish.

LISTINGS: NSF2 rated (Non-Food, Splash Zone). ETL and cETL listed. Made in the USA. FCC Part 15 certified for EMI/RFI emissions.

MOUNTING: Recessed Grid mounting.

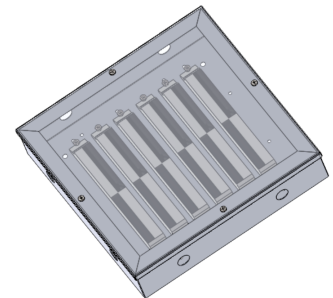
WARRANTY: 5-Year Limited Warranty. Complete warranty and terms located at www.velighting.com



REMOTE POWER BOX

RMB6 (UP TO 6 DRIVERS)

RMB9 (UP TO 9 DRIVERS)



Electronic remote power supply provides power from outside the shielded MRI room, within the remote power supply enclosure.

ORDERING INFORMATION

Example:

RFPMRI-65-40W-L22-S2

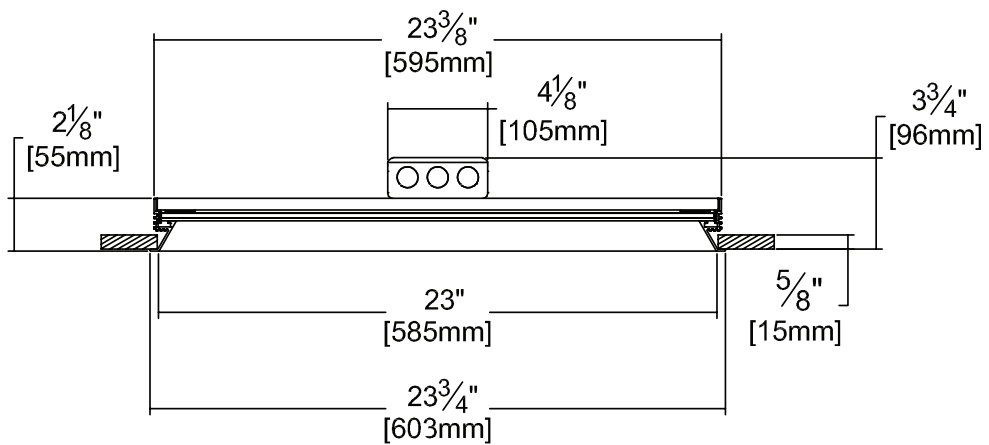
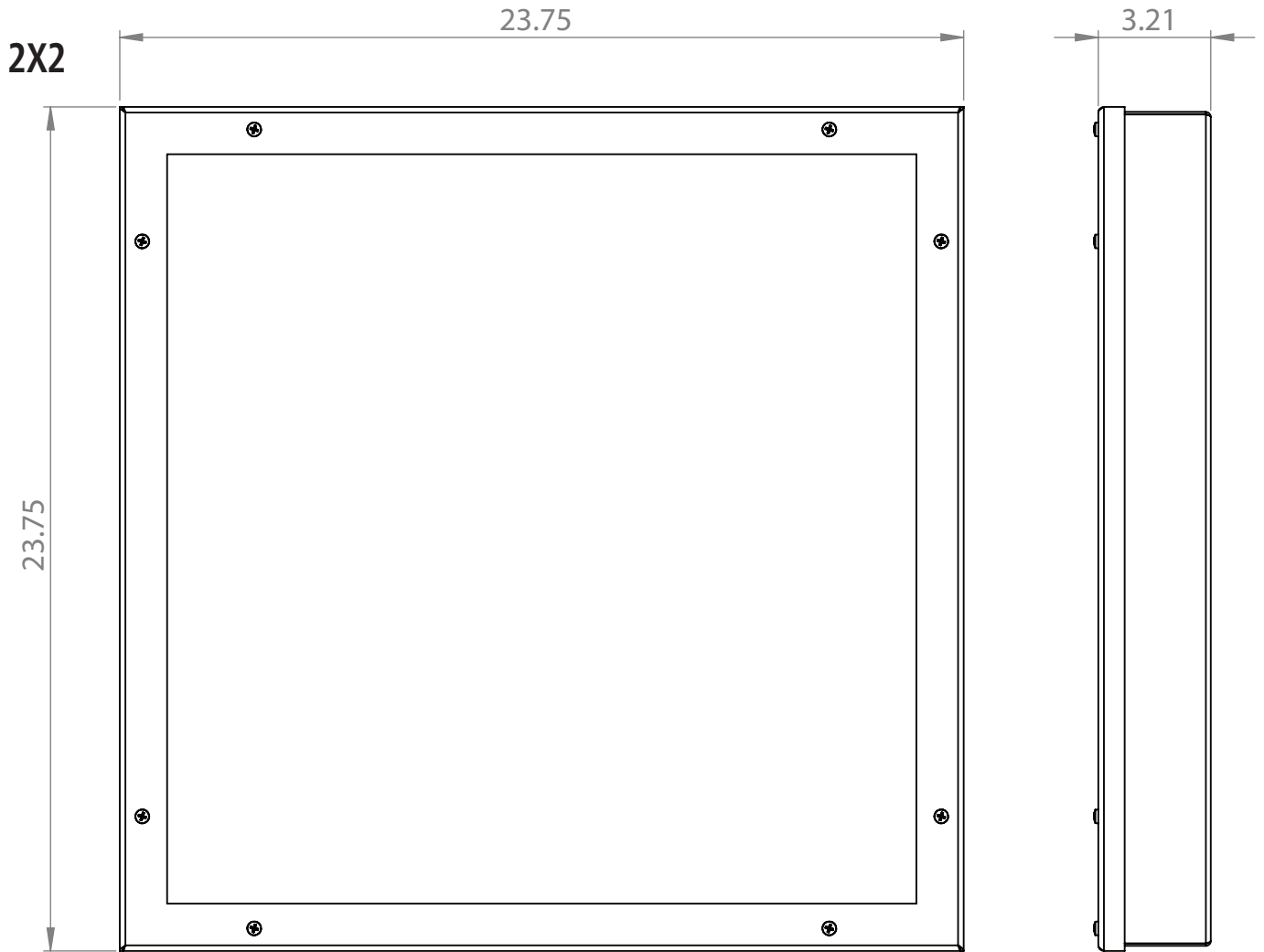
SERIES	CCT	OUTPUT	ORIENTATION
RDPMRI	65 6500K	30W 3750lm 40W 5000lm	L22 ONE 2'X2' Landscape L42 TWO 2'X2's Landscape L44 FOUR 2'X2's Landscape L64 SIX 2'X2's Landscape L66 NINE 2'X2's Landscape P24 TWO 2'X2' Portrait P46 SIX 2'X2's Portrait

See following pages for orientation diagrams

REMOTE MOUNTED POWER SUPPLY Ordering Information (SEE LAST PAGE FOR DETAILS)

SERIES	# OF FIXTURES PER DRIVER	# OF DRIVERS	OPTIONS	
RMBB6 Fits up to 6 drivers	1 1 Fixture per Driver	D1 1 LED 1% Dimming Drivers	AM Anti-Microbial White Paint	
RMBB9 Fits up to 9 drivers	2 2 Fixtures per Driver	D2 2 LED 1% Dimming Drivers		
	3 3 Fixtures per Driver	D3 3 LED 1% Dimming Drivers		
	4 4 Fixtures per Driver	D4 4 LED 1% Dimming Drivers		
	X X Fixtures per Driver	D5 5 LED 1% Dimming Drivers		
			D6 6 LED 1% Dimming Drivers	
			D7 7 LED 1% Dimming Drivers	
			D8 8 LED 1% Dimming Drivers	
		D9 9 LED 1% Dimming Drivers		

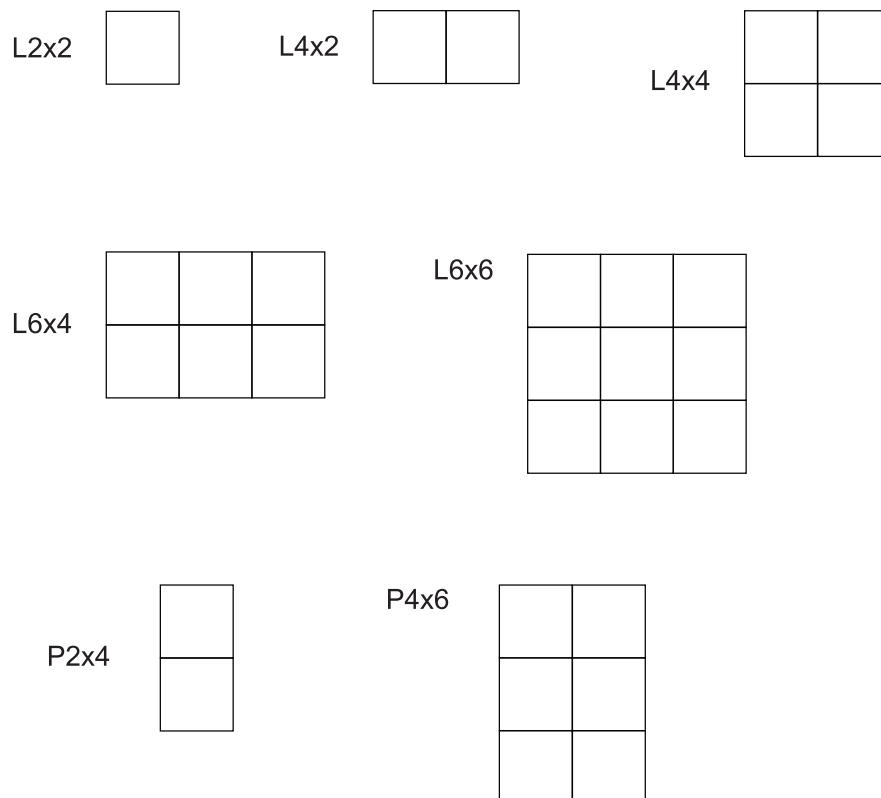
FIXTURE DIMENSIONS



FIXTURE DIMENSIONS



ORIENTATIONS



ENERGY AND PERFORMANCE DATA

INPUT VOLTAGE:	120/277VAC
POWER CONSUMPTION:	30 OR 40 WATTS*
DELIVERED LUMEN OUTPUT:	3750-5000
STANDARD DIMMING CONTROL:	0-10V
CCT:	6500K
CRI:	82 (MINIMUM)
LIFE TIME RATING:	>120,000 HRS @ L70
INPUT FREQUENCY:	50/60 HZ
POWER FACTOR:	>0.9
OPERATING TEMP:	-30° TO 50° C

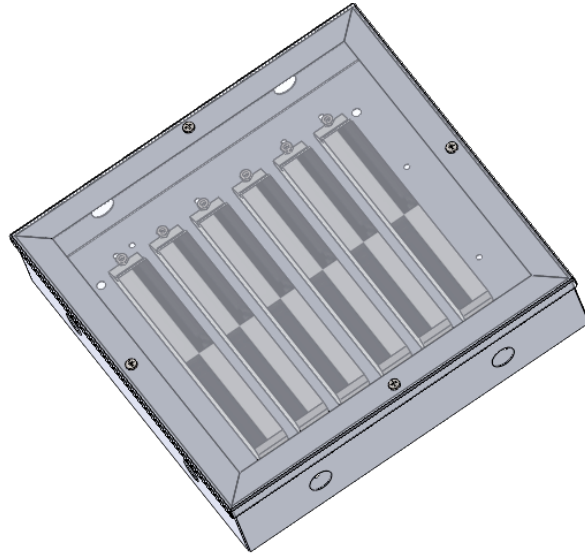
*ACTUAL WATTAGE MAY DIFFER BY ±5% WHILE OPERATING 120/277V ±10%

REMOTE POWER BOX

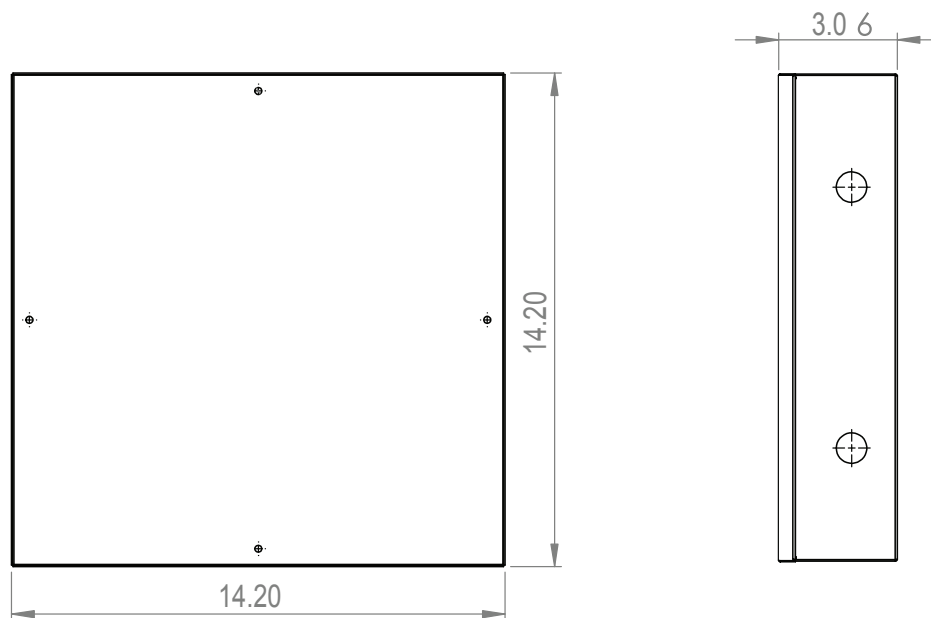
RMB6

 (UP TO 6 DRIVERS)

RMB9

 (UP TO 9 DRIVERS)

Electronic remote power supply provides power from outside the shielded MRI room, within the remote power supply enclosure.



MOUNTING INSTRUCTIONS

1. Mount the remote mounted power supply outside the MRI room.
2. Each driver will have an individual quick-connect for ease of wiring.
3. Ensure that all power/dimming wiring is completely shielded in grounded conduit. Use a minimum of 18 AWG low voltage supply wire.
4. Connect wiring to the driver and run to the installed fixtures. Connect hot and neutral wires to the light fixtures quick connects.
5. Installation is complete.