

VSL01 SPORTS LIGHT



DESCRIPTION

By providing superior high output and high efficiency, Our sports light series 600W is the ideal solution for outdoor sports lighting such as municipal, school and semiprofessional outdoor sports lighting. Dynamic thermal management design maximizes heat dissipation and significantly improves the life of luminaires. Built-in surge suppression adds an extra layer of protection to the luminaire driver. Versatile mounting bracket for hassle-free installation.

SPECIFICATION FEATURES

Construction

- Sealed die-casting profile for outdoor applications.
- Low profile, 3G vibration rated compact design minimizes wind load requirements.
- Housing is completely sealed against moisture and environmental contaminants (IP65).

Optics

- Available in NEMA 3Hx3V, 4Hx4V, 5Hx5V, 6Hx6V distributions.
- Light engines are available in standard 4000 K, 5000K and 5700 K (70/80/90 CRI) configurations.
- Scalable Lumen Packages from 49,500 to 118,000 Lumens.
- Optics is precisely designed to shape the distribution, maximizing efficiency and application spacing.





VSL01 SPORTS LIGHT

Electrical

- Universal 120-277 VAC or 347-480 VAC input voltage.
- Standard with 0-10V dimming driver(s).
- Built in surge suppression with max.20KV @120-277V(Max.40KV @277-480V).
- THD: $\leq 20\%$.
- Power Factor: $\geq 90\%$.

Ambient Temperature

- Ambient operating temperature -40°C to 55°C (-40°F to 131°F).

Lifespan

- Estimated 100,000-hour LED lifespan based on IES LM-80 results and TM-21 calculations.

Note

- Actual performance may differ as a result of end-user environment and application.
All values are design or typical values, measured under laboratory conditions at $25^{\circ}\text{C} (\pm 5^{\circ}\text{C})$
specifications subject to change without notice.

Certifications

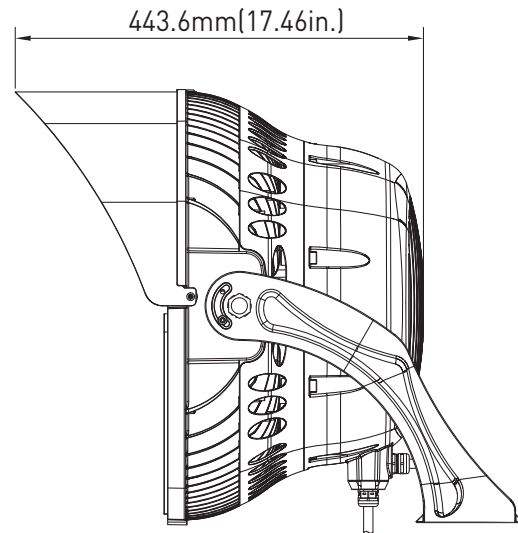
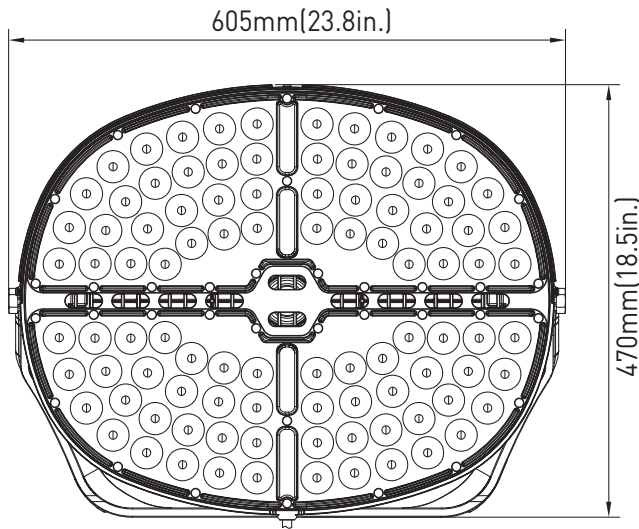
- DesignLights Consortium™ Qualified.
- UL cUL wet location listed.

Note: DesignLights Consortium™ Qualified and classified for DLC Standard, refer to www.designlights.org for details.

VSL01 SPORTS LIGHT

DIMENSIONS

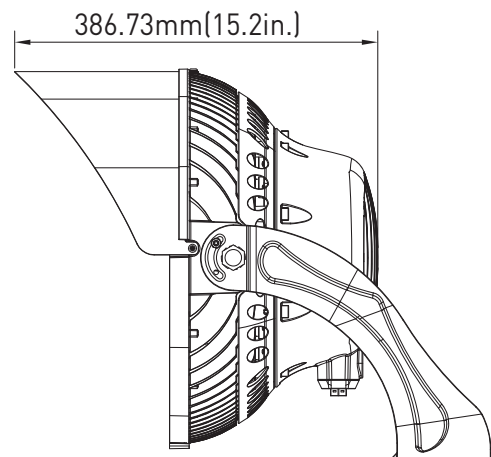
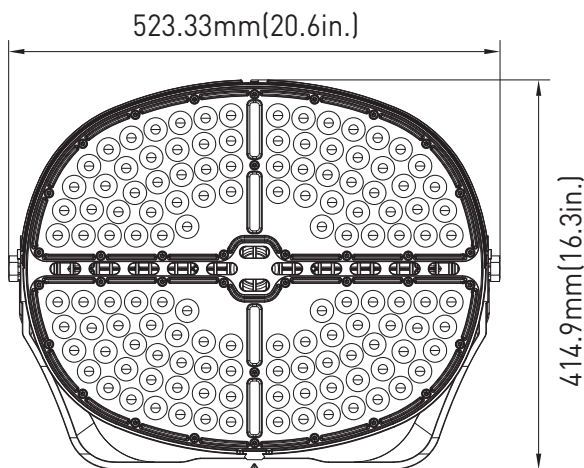
Large Size: 500W & 600W & 650W & 850W



Net Weight :

500W : 56.30 lb 600W : 56.30 lb 650W : 63.47 lb 850W : 63.47 lb

Small Size: 350W & 505W & 600W

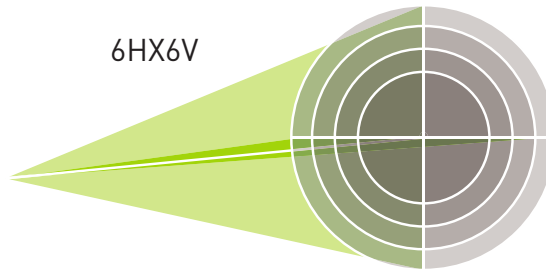
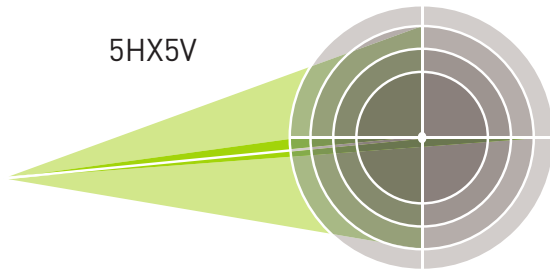
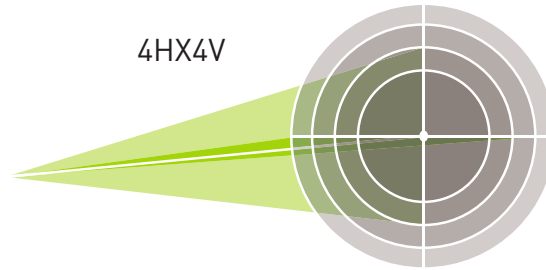
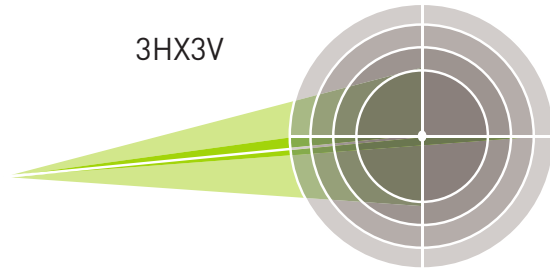


Net Weight :

350W : 37.56 lb 505W : 39.26 lb 600W : 40.99 lb

VSL01 SPORTS LIGHT

PHOTOMETRICS



PERFORMANCE DATA

SIZE	SYSTEM WATTS	VOLTAGE	NEMA	EPA	CRI	LUMENS (4000K)	LPW (4000K)	LUMENS (5000K)	LPW (5000K)	LUMENS (5700K)	LPW (5700K)
Small Size	350W	120-277V/347-480V	4Hx4V	1.8911	70	51000lm	146 lm/W	51000lm	146 lm/W	49500lm	141 lm/W
Small Size	505W	120-277V/347-480V	4Hx4V	1.8911	70	70000lm	139 lm/W	70000lm	139 lm/W	68000lm	135 lm/W
Small Size	600W	120-277V/347-480V	4Hx4V	1.8911	70	82000lm	137 lm/W	82000lm	137 lm/W	80000lm	133 lm/W
Large Size	500W	120-277V/347-480V	4Hx4V	2.5471	70	71000lm	142 lm/W	71000lm	142 lm/W	69000lm	138 lm/W
			3Hx3V	2.5471	70	68160lm	136 lm/W	68160lm	136 lm/W	66240lm	132 lm/W
Large Size	600W	120-277V/347-480V	4Hx4V	2.5471	70	84000lm	140 lm/W	84000lm	140 lm/W	82000lm	137 lm/W
			3Hx3V	2.5471	70	80640lm	134 lm/W	80640lm	134 lm/W	78720lm	131 lm/W
Large Size	650W	277-480V	4Hx4V	2.5471	70	91000lm	140 lm/W	91000lm	140 lm/W	88000lm	135 lm/W
			3Hx3V	2.5471	70	87360lm	134 lm/W	87360lm	134 lm/W	84480lm	130 lm/W
Large Size	850W	120-277V/347-480V	4Hx4V	2.5471	70	118000lm	139 lm/W	118000lm	139 lm/W	112000lm	132 lm/W
			3Hx3V	2.5471	70	113280lm	133 lm/W	113280lm	133 lm/W	107520lm	126 lm/W



VSL01 SPORTS LIGHT

ORDERING GUIDE

Ordering Guide Example: VSL01500W27VXXKYYYYY

Fixture Type	Voltage	Wattage	Finish	Nema	CCT	Mounting (Option)	Integrated Contro
<input checked="" type="radio"/> VSL01 Sports light	<input type="radio"/> 120-277V <input type="radio"/> 347-480V <input type="radio"/> 277-480V	<input type="radio"/> 350W <input type="radio"/> 500W <input type="radio"/> 505W <input type="radio"/> 600W <input type="radio"/> 650W <input type="radio"/> 850W	<input type="radio"/> Black	<input type="radio"/> B33 3Hx3V' <input type="radio"/> B44 4Hx4V' <input type="radio"/> B55 5Hx5V' <input type="radio"/> B66 6Hx6V'	<input type="radio"/> 4000K <input type="radio"/> 5000K <input type="radio"/> 5700K	TR Trunnion	<input type="radio"/> C With Integrated Control <input type="radio"/> Blank Without Integrated Control

Note: 1. 3H3V is only suit for large size, and small size will be coming soon 2. 5H5V,6H6V will be coming soon.
3. 650W only suitable for 277-480V input.

Ordering Guide Example: MSL01E600W27VXXKYYYYY

Fixture Type	Voltage	Wattage	Finish	Nema	CCT	Mounting (Option)	Integrated Contro
<input checked="" type="radio"/> VSL01E Sports light	<input type="radio"/> 120-277V <input type="radio"/> 347-480V	<input type="radio"/> 600W	<input type="radio"/> Black	<input type="radio"/> B33 3Hx3V' <input type="radio"/> B44 4Hx4V' <input type="radio"/> B55 5Hx5V' <input type="radio"/> B66 6Hx6V'	<input type="radio"/> 4000K <input type="radio"/> 5000K <input type="radio"/> 5700K	TR Trunnion	<input type="radio"/> C With Integrated Control <input type="radio"/> Blank Without Integrated Control



VSL01 SPORTS LIGHT

ELECTRICAL DATA

Number Of Drivers	Driver Current (mA)	Nominal Power (W)	INPUT VOLTAGE (V)	CURRENT (Amps)
1	2400	350	120	2.92
		350	208	1.68
		350	240	1.46
		350	277	1.26
		350	347	1.01
		350	480	0.73
1	4800	500	120	4.17
		500	208	2.40
		500	240	2.08
		500	277	1.81
		500	347	1.44
1	2350	505	120	4.21
		505	208	2.43
		505	240	2.10
	2500	505	277	1.82
		505	347	1.46
		505	480	1.05
1	5600	600	120	5.00
		600	208	2.88
		600	240	2.50
		600	277	2.17
	5200	600	347	1.73
		600	480	1.25
1	5200	650	277	2.35
		650	347	1.87
		650	480	1.35
1	5500	850	120	7.08
		850	208	4.09
		850	240	3.54
		850	277	3.07
		850	347	2.45
		850	480	1.77

VSL01 SPORTS LIGHT

ACCESSORIES



Black Top Visor (Default)



Aiming Sight

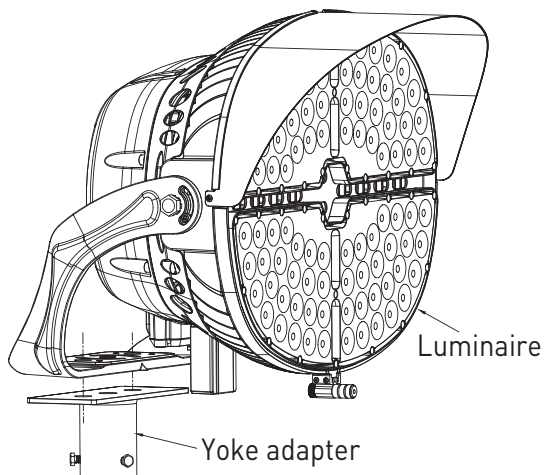


Integrated Control (Option)



Glare Control Shield
(Optional for large size)

Mounting Bracket



Yoke Adaptor (Option)

Another optional easy installation is provided to apply the fixture on a 2 3/8" tennon with Mester Yoke adapter.