

VLED Cylinder

CY Series | Pendant | Round Downlights



VE Lighting offers numerous cylinder lighting options that complement our suspended lighting platform, while providing a consistent aesthetic.

Performance and beauty are both in play with our sleek architectural cylinders. These cylinders would greatly create possibilities in the whole commercial area which make light modular with multiple sizes, beam options, and high visual comfort COB LED as its standard configuration. It is now available in pendant and surface mount configurations which offers a beautiful and slender solution.

Feature

- Modular design
- COB LED chip: 80+ or 90+ CRI
- Dimming: 0-10V(10% standard, 1% optional) or TRIAC
- Beam angle: 15°, 24°, 36°, 60° options
- Architectural form: 4", 6" and 8"
- Mounting: Pendant or surface
- Wattage Selectable



VLED Cylinder

CY Series | Pendant | Round Downlights

PERFORMANCE

Size	Wattage Selectable	2700K		3000K		3500K		4000K	
		Ra>80	Ra>90	Ra>80	Ra>90	Ra>80	Ra>90	Ra>80	Ra>90
4"	25w/18w/12w	2250lm 90lm/w	1900lm 76lm/w	2375lm 95lm/w	2000lm 80lm/w	2450lm 98lm/w	2050lm 82lm/w	2500lm 100lm/w	2100lm 84lm/w
6"	40w/30w/20w	4000lm 100lm/w	3400lm 85lm/w	4200lm 105lm/w	3560lm 89lm/w	4320lm 108lm/w	3640lm 91lm/w	4400lm 110lm/w	3720lm 93lm/w
8"	58w/45w/30w	4930lm 85lm/w	4176lm 72lm/w	5220lm 90lm/w	4408lm 76lm/w	5394lm 93lm/w	4524lm 78lm/w	5510lm 95lm/w	4640lm 80lm/w

Correlated Trim Color Multiplier	Black Trim	Gold Trim	Chrome Trim
Multiplier for Lumen Output	0.92	0.97	0.94

Apply to maximum wattage with white trim and 60° beam angle only in table above to approximate output at other trim colors.

PRODUCT ORDERING GUIDE

Ordering Guide Example: : VCY6R-WH-4400L-D10-8040-M-AW-PC02-RJ

Product Family	Product Size	R Product Shape	Finish	Lumen Output	Dimming Options	CRI Options	LED Color Options	Beam Options	Trim Options	Mounting
<input type="radio"/> VCY Cylinder series	<input type="radio"/> 4 4inch, Wattage Selectable 25W/18W/12W <input type="radio"/> 6 6inch, Wattage Selectable 40W/30W/20W <input type="radio"/> 8 8inch, Wattage Selectable 58W/45W/30W	<input type="radio"/> R Round	<input type="radio"/> WH White <input type="radio"/> BL Black <input type="radio"/> CM Custom Colors*	<input type="radio"/> 2500L 2500lm for 4inch Cylinder <input type="radio"/> 4400L 4400lm for 6inch Cylinder <input type="radio"/> 5500L 5500lm for 8inch Cylinder ▲ The lumens are subject to 4000K, 80+ CRI, 60° beam angle and maximum wattage with white trim.	<input type="radio"/> D10 0-10V [Dims to 10%] <input type="radio"/> D01 0-10V, [Dim to 1%] Or TRIAC Dimming ▲ 1% or Traic dimming driver is programable ONLY, it's only available in 30W and 40W for 6inch. 1% driver is a programable driver that is factory set for wattage during production. There is NO dip-switch for this option.	<input type="radio"/> 80 80+ CRI <input type="radio"/> 90 90+ CRI	<input type="radio"/> 27 2700K COB <input type="radio"/> 30 3000K COB <input type="radio"/> 35 3500K COB <input type="radio"/> 40 4000K COB	<input type="radio"/> N Narrow Beam, 15° <input type="radio"/> M Medium Beam, 24° <input type="radio"/> W Wide Beam, 36° <input type="radio"/> F Flood Beam, 60°	Standard Trim <input type="radio"/> White Trim <input type="radio"/> Black Trim <input type="radio"/> Gold Trim <input type="radio"/> Chrome Trim 12" Regress Trim <input type="radio"/> Black <input type="radio"/> White ▲ Only for 4inch cylinder	<input type="radio"/> Pendant Cable <input type="radio"/> Pendant Rigid Stem

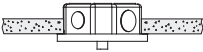
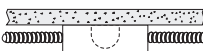


The following codes won't be shown in product label.



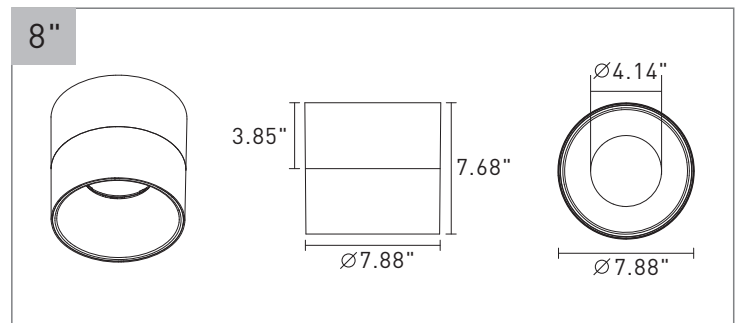
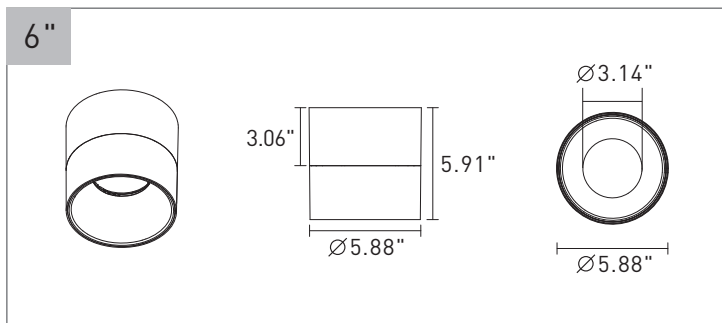
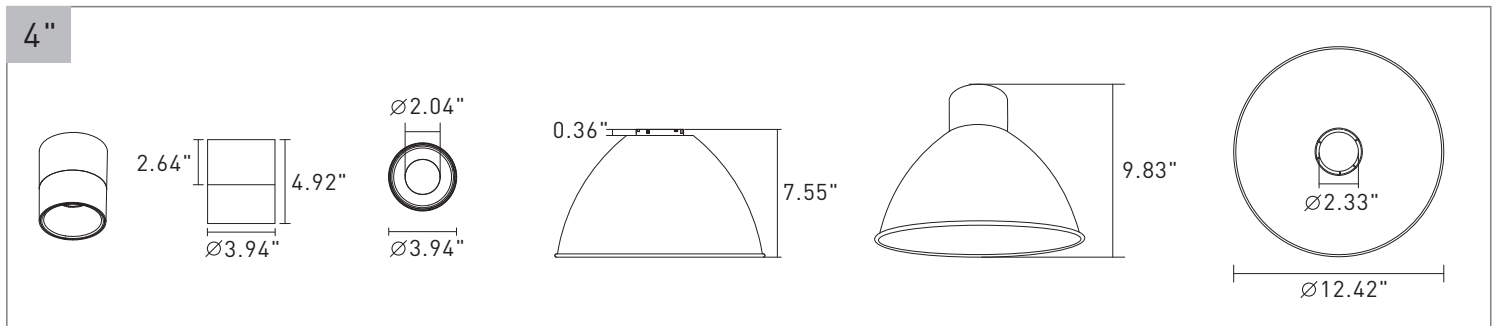
VLED Cylinder CY Series | Pendant | Round Downlights

PRODUCT ORDERING GUIDE

Ordering Guide Example: : CY6R-WH-4400L-D10-8040-M-AW-PC02-RJ

Cable / Stem Length	Ceiling Type	Emergency Function
<ul style="list-style-type: none"> <input type="radio"/> 02 2' Nominal Length <input type="radio"/> 04 4' Nominal Length <input type="radio"/> 08 8' Nominal Length <input type="radio"/> 12 12' Nominal Length 	<ul style="list-style-type: none"> <input type="radio"/> RJ Pendant With Flat Canopy Style For Recessed J-Box  <ul style="list-style-type: none"> <input type="radio"/> SJ Pendant With Conduit Cutout Deep Canopy Style For Surface Mounted 4" Octagonal Junction Box.  <p>* The color of canopy, cable and stem are the same as the finish unless otherwise specified.</p>	<ul style="list-style-type: none"> <input type="radio"/> Blank Standard <input type="radio"/> EME Emergency <p>Optional high voltage 8W emergency LED driver EM-H08170-LBF can be provided. When AC power fails, it immediately switches to the emergency mode, operating for lighting up to 120 minutes. When AC power is restored, it automatically returns to the charging mode which meets critical life-safety lighting requirements. For more info or spec sheet, please visit our website or contact sales.</p> <div style="display: flex; justify-content: space-around;"> <div style="text-align: center;"> <p>LED Emergency Driver</p>  </div> <div style="text-align: center;"> <p>Canopy With Indicator</p>  </div> </div> <p>*Additional cost and/or lead time on customized fixtures may apply. Some fixtures require an MOQ. Please contact your sales rep for more information.</p>

DIMENSIONS





VLED Cylinder CY Series | Pendant | Round Downlights

CONFIGURATION

White Exterior Finishes



Black Exterior Finishes



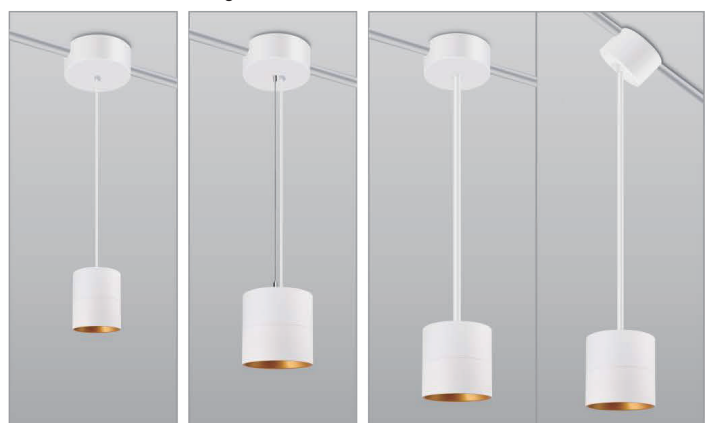
PENDANT OPTIONS

Pendant With Flat Canopy For Recessed J-Box

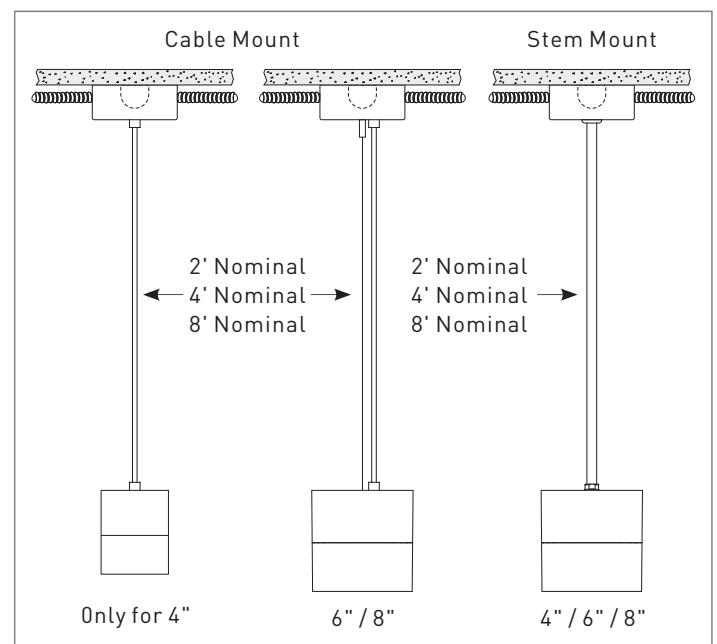
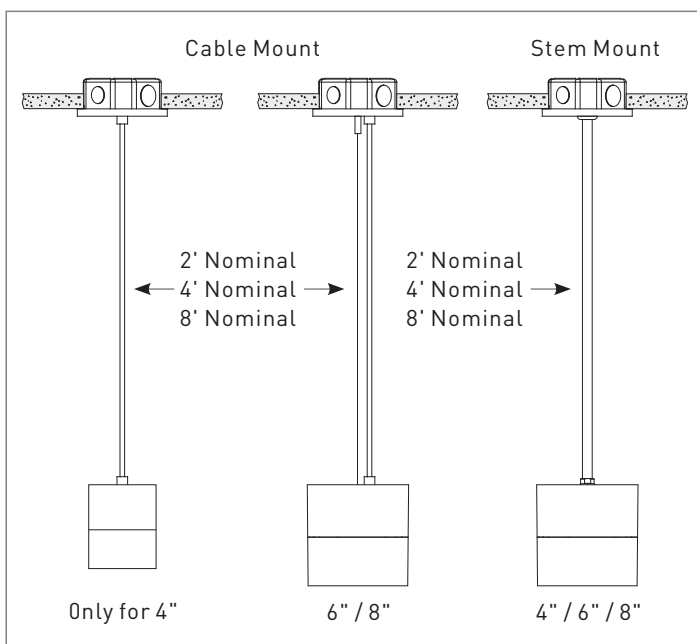


Cable Mount 4"
Cable Mount 6" / 8"
Rigid Pendant Stem Mount 4" / 6" / 8"
Rigid Pendant Stem Mount 4" / 6" / 8" Tilt up to 30°

Pendant With Conduit Cutout Deep Canopy For Surface 4" Octagonal Junction Box



Cable Mount Conduit Cutout 4"
Cable Mount Conduit Cutout 6" / 8"
Rigid Pendant Stem Conduit Cutout Surface Mount
Rigid Pendant Stem Conduit Cutout Surface Mount 4" / 6" / 8"

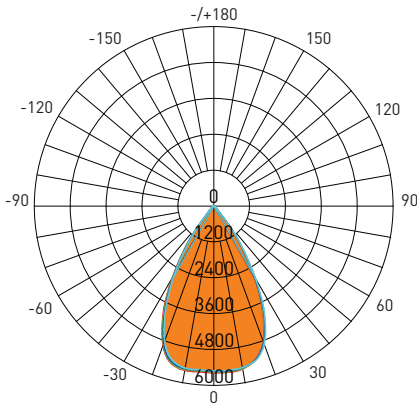




VLED Cylinder CY Series | Pendant | Round Downlights

DISTRIBUTION DIAGRAM

6" / 3000K / 60°



AVERAGE BEAM ANGLE(50%): 59.6°

Lumens: 5046.4 Lm
Watts: 45 W
LPW: 111.38 Lm/W
CCT: 3000K

UNIT: cd
— C0/180,59.5°
— C30/210,59.5°
— C60/240,59.6°
— C90/270,59.6°

Zonal Flux Diagram

Y	C0	C45	C90	C135	C180
10	5529	5511	5486	5486	5576
20	4834	4887	4923	4940	4963
30	2643	2758	2803	2894	2818
40	433.5	487.4	508.0	551.8	472.2
50	100.6	104.4	102.4	105.5	99.85
60	72.33	72.16	70.84	70.56	71.23
70	44.46	45.15	44.15	44.05	43.76
80	18.19	18.90	17.92	18.39	18.56
90	0.1782	0.1447	0.1496	0.1447	0.1447
100	0.1727	0.1868	0.1494	0.1821	0.1729
110	0.2565	0.2615	0.2147	0.2568	0.2569
120	0.3688	0.3923	0.3823	0.3596	0.3737
130	1.082	1.047	0.9929	0.9770	1.080
140	3.232	3.112	3.031	2.920	3.318
150	6.392	6.202	6.089	5.889	6.530
160	9.529	9.302	9.245	9.017	9.601
170	12.21	12.07	11.91	11.77	12.11
180	13.29	13.37	13.15	13.16	13.31
DEG	LUMINOUS INTENSITY:cd				

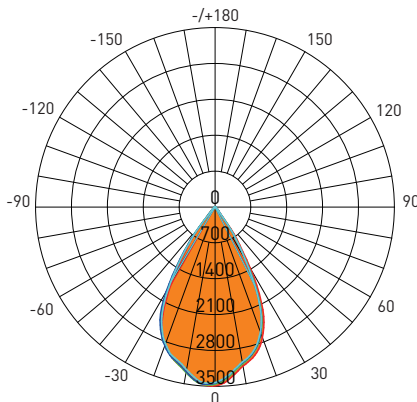
Zonal Lumens

Y	φ total
0-10	526.3
10-20	2017
20-30	3780
30-40	4714
40-50	4863
50-60	4936
60-70	4993
70-80	5025
80-90	5033
90-100	5033
100-110	5033
110-120	5033
120-130	5034
130-140	5036
140-150	5039
150-160	5042
160-170	5045
170-180	5046
	UNIT: lm

Luminance cd/(m2)

G(DEG)	C0/180	C90/270
85	5141	5059
80	6800	6703
75	7678	7640
70	8441	8382
65	9032	8906
60	9393	9200
55	9336	9072
50	10163	10349
45	14737	15549

8" / 3000K / 60°



AVERAGE BEAM ANGLE(50%): 57.7°

Lumens: 6000.6 Lm
Watts: 60 W
LPW: 95.85 Lm/W
CCT: 3000K

UNIT: cd
— C0/180,57.5°
— C30/210,57.8°
— C60/240,58.0°
— C90/270,57.5°

Zonal Flux Diagram

Y	C0	C45	C90	C135	C180
10	6752	6641	6582	6635	6997
20	5798	5610	5550	5774	6119
30	2943	2631	2544	3088	3598
40	323.2	281.4	268.1	369.4	569.4
50	101.4	92.02	90.41	103.3	137.4
60	66.11	63.45	62.41	64.37	68.46
70	40.56	38.05	37.37	39.94	43.13
80	16.48	14.58	14.33	16.84	19.29
90	0.1635	0.1495	0.1728	0.1494	0.6340
100	0.1633	0.2008	0.1867	0.1961	0.1821
110	0.2426	0.2895	0.2613	0.2755	0.2615
120	0.4150	0.4624	0.4521	0.4110	0.3877
130	1.310	1.501	1.445	1.183	1.038
140	4.020	4.396	4.323	3.738	3.636
150	7.830	3.274	2.851	2.718	3.120
160	11.69	12.09	12.00	11.29	11.30
170	15.06	15.17	14.99	14.64	14.78
180	16.06	16.06	15.84	15.86	16.12
DEG	LUMINOUS INTENSITY:cd				

Zonal Lumens

Y	φ total
0-10	670.6
10-20	2462
20-30	4629
30-40	5655
40-50	5820
50-60	5892
60-70	5945
70-80	5976
80-90	5984
90-100	5985
100-110	5985
110-120	5985
120-130	5986
130-140	5988
140-150	5991
150-160	5995
160-170	5999
170-180	6001
	UNIT: lm

Luminance cd/(m2)

G(DEG)	C0/180	C90/270
85	2815	2099
80	3569	3101
75	4060	3666
70	4458	4108
65	4761	4451
60	4970	4692
55	5058	4836
50	5932	5288
45	9205	8235

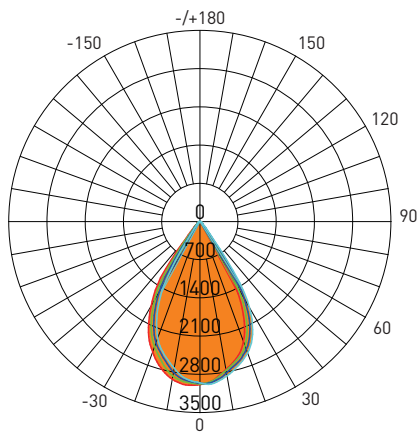




VLED Cylinder CY Series | Pendant | Round Downlights

DISTRIBUTION DIAGRAM

4" / 3000K / 60°



AVERAGE BEAM ANGLE(50%): 61.0°

Lumens: 2612.6 Lm
Watts: 25 W
LPW: 103.94 Lm/W
CCT: 3000K

UNIT: cd
— C0/180, 61.0°
— C30/210, 61.1°
— C60/240, 61.1°
— C90/270, 60.7°

Zonal Flux Diagram

Y	C0	C45	C90	C135	C180
10	2751	2786	2868	2917	2931
20	2335	2466	2558	2593	2538
30	1094	1535	1818	1905	1800
40	155.1	194.4	245.3	438.2	400.3
50	62.68	63.03	65.58	79.00	102.6
60	44.26	44.48	45.54	54.19	62.64
70	23.80	23.01	22.92	28.39	34.03
80	2.913	5.007	6.675	7.312	11.58
90	0.1544	0.1118	0.3414	0.4778	0.2661
100	0.0980	0.1167	0.1027	0.1260	0.1499
110	0.1725	0.2939	0.8678	0.2707	0.6863
120	0.3081	0.3082	0.3596	0.3502	0.7190
130	0.8022	0.6450	0.4290	0.4484	0.8034
140	2.066	1.785	1.408	1.243	1.589
150	3.714	3.274	2.851	2.718	3.120
160	5.316	4.917	4.461	4.184	4.698
170	6.381	6.205	6.044	5.930	6.233
180	6.788	6.806	6.652	6.657	6.797
DEG	LUMINOUS INTENSITY:cd				

Zonal Lumens

Y	φ total
0-10	275.7
10-20	1016
20-30	1941
30-40	2403
40-50	2499
50-60	2552
60-70	2587
70-80	2603
80-90	2605
90-100	2605
100-110	2605
110-120	2606
120-130	2606
130-140	2607
140-150	2609
150-160	2610
160-170	2612
170-180	2613
	UNIT: lm

Luminance cd/(m2)

G(DEG)	C0/180	C90/270
85	2079	6732
80	2892	6628
75	8458	9206
70	11997	11556
65	13945	13764
60	15263	15703
55	16203	17152
50	16813	17592
45	17695	27503