



V4 Garage Parking Lot LED Light

FEATURES

- Built in Power and CCT adjustable
- Built in Motion sensor receptacle port
- Wide beam angle with advanced PC optics
- Anti-corrosion and rust proof
- 50,000 hours lifetime



SUITABLE APPLICATIONS

- Shopping mall/Building/Airport Garage Parking lot lighting
- Underground Garage Parking lot lighting

CONSTRUCTION:

Heavy die-cast aluminum alloy housing bronze powder-coated finish.

OPTICAL SYSTEM:

Lumileds 2835LED chips. High quality light transmittance PC optics.
150° beam angle.

WARRANTY:

5-year limited warranty. Actual performance may differ as a result of end-user environment and application.

ELECTRICAL:

Available as 120-277V input. -20°C to 45°C.

INSTALLATION & MOUNTING:

ceiling mount or 3/4" conduit entry on top for pendant mounting (pendant provided by others)

Sample

VE-4NCP80/60/40W-H-TX(XX)-Y

Wattage	Power Factor	Motion	Voltage/Current Input		Light Efficiency	CCT tunable
			120V	227V		
40W	0.9	40FT	0.33A	0.14A	130LM/W	3500K/4000K/5000K
60W	0.9	40FT	0.50A	0.21A	130LM/W	3500K/4000K/5000K
80W	0.9	40FT	0.66A	0.28A	130LM/W	3500K/4000K/5000K

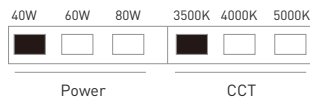


Motion Sensor Compatible



HD07VR-MH Occupancy sensor:plug and play

CCT&Power Adjustable



The lamps have the function of adjusting power and color temperature

PRODUCT ORDERING GUIDE

VE-4NCP80/60/40W-H-TX(XX)-Y

1	2	3	4	5	6
VE	4NCP	80/60/40W	H	TX(XX)	Y

LS LEDSION

4NCP G4 New canopy

Power Tunable

80W Power 80W 60W Power 60W

40W Power 40W

H/L High/Low Light Efficiency

TX(XX):CCT Tunable

35K CCT: 3500K

40K CCT: 4000K

50K CCT: 5000K

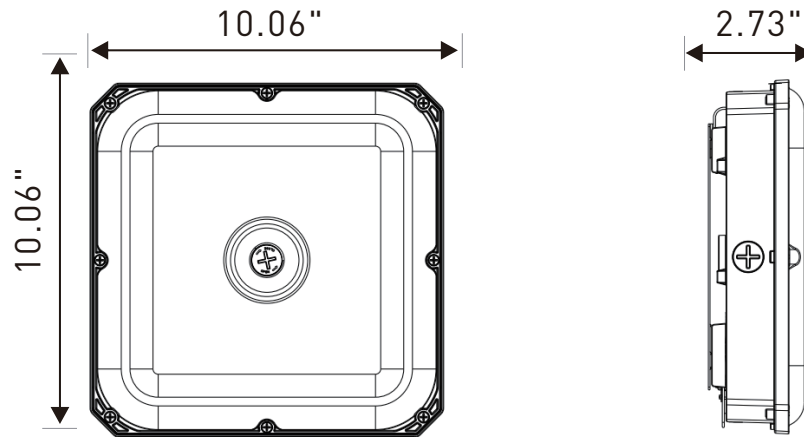
Y YES Motion Sensor

N NO Motion Sensor

Electric Characteristic

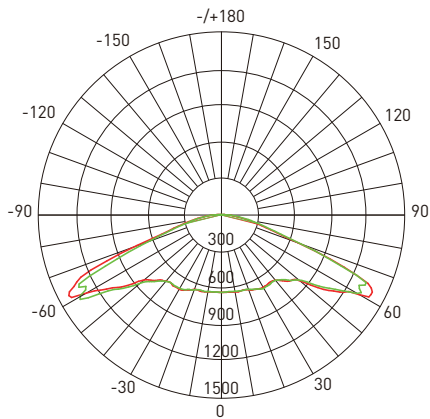
Specification/Model	VE-4NCP80/60/40W-H-TX(XX)-Y	VE-4NCP80/60/40W-H-TX(XX)-Y	VE-4NCP80/60/40W-H-TX(XX)-Y
LED Driver	UL listed WEPowerLED Brand 0-10V Dimmable		
Input power	80W	60W	40W
Lumens output	10400LM	7800LM	5200LM
Light Efficiency	130LM/W	130LM/W	130LM/W
CRI	>80	>80	>80
Color Temperature	5000K	5000K	5000K
Input voltage	120-277V/AC	120-277V/AC	120-277V/AC
Light distribution type	150D	150D	150D
Working temperature	-20+45°C	-20+45°C	-20+45°C
Junction temperature	<75°C	<75°C	<75°C
Lamp Efficiency	≥90%	≥90%	≥90%
Certificate	UL CUL DLC	UL CUL DLC	UL CUL DLC
Equivalent	180-250W MH/HP S	120-180W MH/HP S	80-120W MH/HP S

DIMENSION



DISTRIBUTION DIAGRAM

LS-4NCP80/60/40W-H-TX(XX)-Y

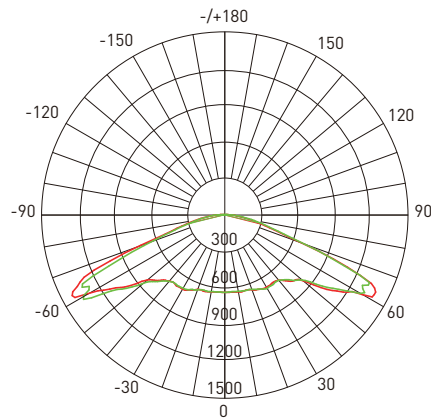


AVERAGE BEAM ANGLE(50%):150°
UNIT:CD

Lumens:5200LM
Test Number:40W
Test Number:5000K

- C0/180,154
- C30/210,111.5
- C60/240,109.7
- C90/270,154.2

LS-4NCP80/60/40W-H-TX(XX)-Y

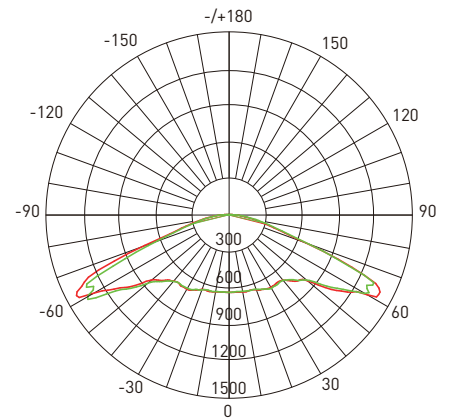


AVERAGE BEAM ANGLE(50%):150°
UNIT:CD

Lumens:7800LM
Test Number:60W
Test Number:5000K

- C0/180,154
- C30/210,111.5
- C60/240,109.7
- C90/270,154.2

LS-4NCP80/60/40W-H-TX(XX)-Y



AVERAGE BEAM ANGLE(50%):150°
UNIT:CD

Lumens:7800LM
Test Number:60W
Test Number:5000K

- C0/180,154
- C30/210,111.5
- C60/240,109.7
- C90/270,154.2