

SUBMITTED BY: _____ DATE: _____
 TYPE: _____ PROJECT: _____
 ORDERING INFO: _____



VTL04 LED TRACK LIGHT



Support Halo/Juno exchangeable adapter.
 90+CRI with 3-step MacAdam Ellipse.
 High-Efficacy with precise Center Beam Candle Power.
 Can pivot +/-90° vertically. With adjustable focus
 Recommended Application: Retailers, Supermarkets,
 Restaurants, Shopping Mall, etc.



PRODUCT FEATURES

- 110LPW & Triac dimming for single CCT and wattage.
- 90LPW & Non-dimmable for CCT & wattage selectable.
- Daisy connection with very convenient replacement in 1minute.
- Single voltage: AC120V.
- Available with suspending installation and surface-mounted installation.
- 20°-50° Beam Angle for variety choices.
- 5 years warranty.

SPECIFICATION

MODEL	TL04-10W -XXK-YY-X-Z	TL04-20W -XXK-YY-X-Z	TL04-30W -XXK-YY-X-Z	TL04-20/15/10W -TCP-YY-X-Z	TL04-30/25/20W -TCP-YY-X-Z
WATTAGE	10W	20W	30W	20/15/10W	30/25/20W
CCT	2700K/3000K/3500K/4000K/5000K Single CCT			2700K/3000K/3500K/4000K/5000K Selectable CCT	
EFFICACY	Up to 110LPW			Up to 90LPW	
CRI	Ra > 90				
INPUT VOLTAGE	AC120V				
DISTRIBUTION	20-50° adjustable				
POWER FACTOR	0.9				
DRIVER EFFICACY	87%				
LIFE SPAN	over 50,000 hrs				
WORKING TEMPERATURE	-40°F~104°F				
STORAGE TEMPERATURE	-40°F~176°F				
WARRANTY	5 year limited				



Adapter:

- Compatible with H-type track adapter, J-type track adapter, suitable for all your projects requirements.
- H type and J-type track adapter are interchangeable.



Halo

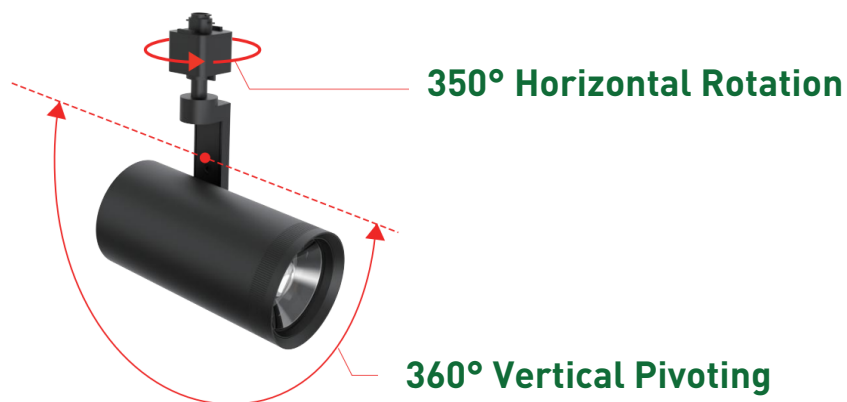
"Halo" is Standard adapter with fixture

Juno

"Juno" is option adapter and sold separately

Luminaire Arm:

- 180° tilt and 350° rotation adjustable



350° Horizontal Rotation

360° Vertical Pivoting

Beam angle:

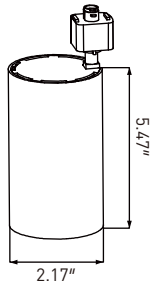
- Zoomable track light heads 20°- 50° adjustable to meet different application requirements



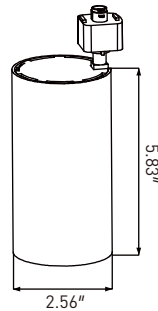
Zoomable 20-50°

PRODUCT DIMENSION

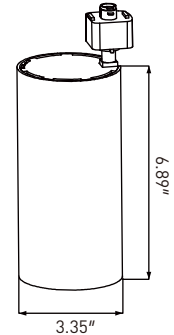
10W



20W | 20/15/10W



30W | 30/25/20W



Power(Size)	Inner packing size (1 pcs/ctn)	Outer packing size (20pcs/ctn)	N.W. (1pcs/ctn)	G.W. (1pcs/ctn)	N.W. (20pcs/ctn)	G.W. (20pcs/ctn)
V-TL04-10W -XXK-YY-X-Z	L4.17 * W3.5 * H10.2inch L106 * W89 * H259mm	L18.5 * W17.68 * H10.98inch L470 * W449 * H279mm	1.59Lbs(0.72KG)	2.09Lbs(0.95KG)	31.75Lbs(14.4KG)	43.65Lbs(19.8KG)
V-TL04-20W -XXK-YY-X-Z	L4.17 * W3.5 * H10.2inch L106 * W89 * H259mm	L18.5 * W17.68 * H10.98inch L470 * W449 * H279mm	1.59Lbs(0.72KG)	2.09Lbs(0.95KG)	31.75Lbs(14.4KG)	43.65Lbs(19.8KG)
V-TL04-30W -XXK-YY-X-Z	L5 * W4.29 * H11.14inch L127 * 109 * 283mm	L22.17 * W20.91 * H11.93inch L563 * 531 * 303mm	2.60Lbs(1.18KG)	3.11Lbs(1.41KG)	52.03Lbs(23.6KG)	64.82Lbs(29.4KG)
V-TL04-20/15/10W -TCP-YY-X-Z	L4.17 * W3.5 * H10.2inch L106 * W89 * H259mm	L18.5 * W17.68 * H10.98inch L470 * W449 * H279mm	1.59Lbs(0.72KG)	2.09Lbs(0.95KG)	31.75Lbs(14.4KG)	43.65Lbs(19.8KG)
V-TL04-30/25/20W -TCP-YY-X-Z	L5 * W4.29 * H11.14inch L127 * 109 * 283mm	L22.17 * W20.91 * H11.93inch L563 * 531 * 303mm	2.60Lbs(1.18KG)	3.11Lbs(1.41KG)	52.03Lbs(23.6KG)	64.82Lbs(29.4KG)

Other installation methods



MONOPOINT



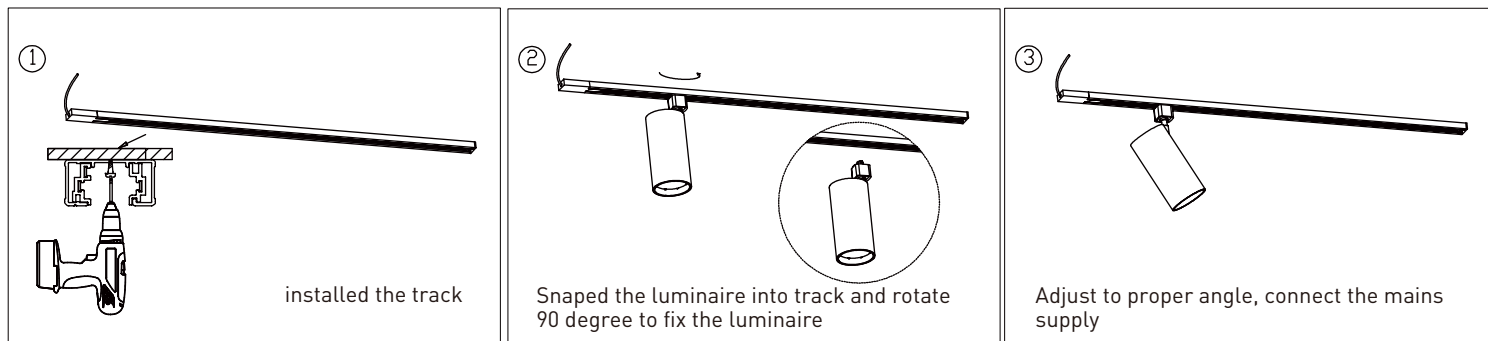
SURFACE



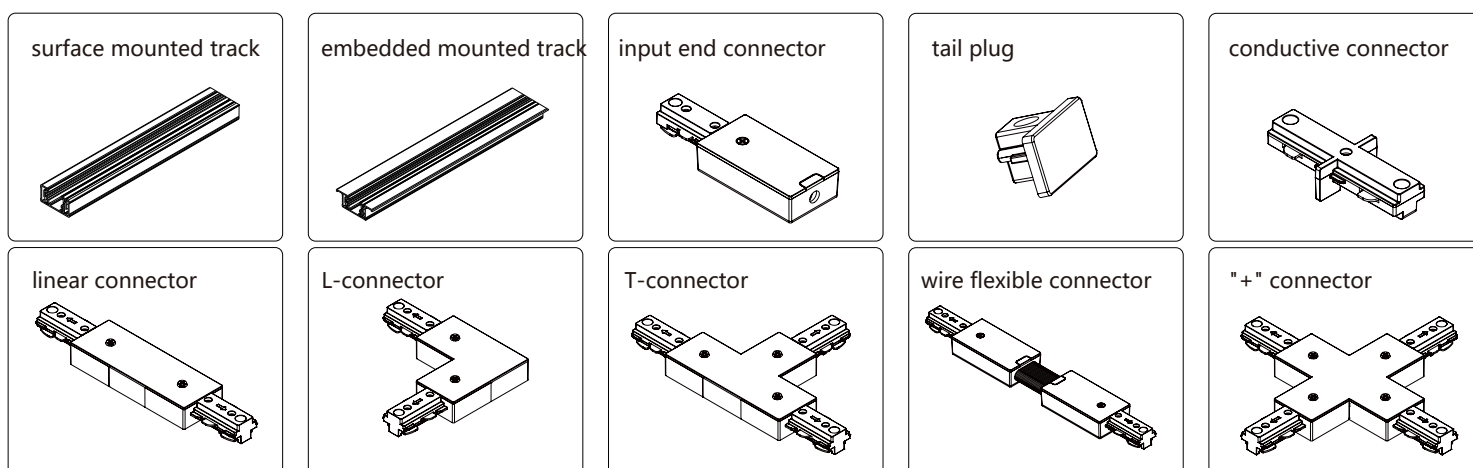
PENDANT



TRACK PENDANT



Optional accessories



Ordering Guide

Example: V-TL04-20W-H-XX-TCP(XX)

COMPANY	PRODUCT	POWER	HIGH LUMENS	INPUT VOLTAGE	Tunable CCT and Power
<input checked="" type="radio"/> VE	<input type="radio"/> Led track light	<input type="radio"/> 20W=20/15/10W <input type="radio"/> 30W=30/25/20W		120Vac	2700K/3000K/3500K/4000K/5000K

Rail system connection diagram:

Before installation, cut off the spring tab on one side of the ground wire connector and connect it effectively to the track's ground copper wire.

