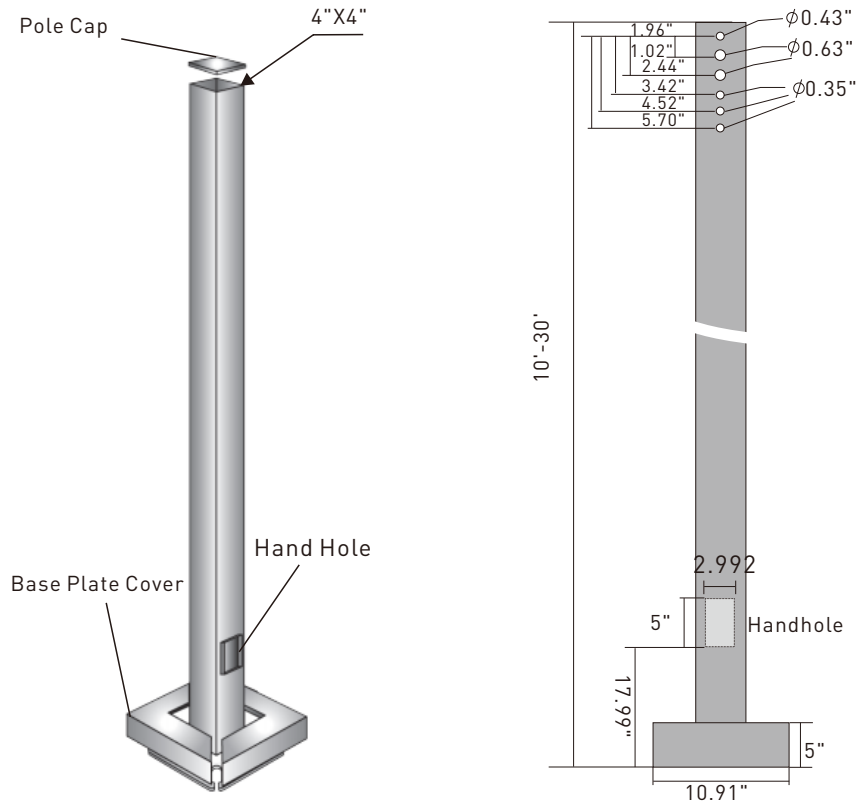




# 4X4" 20FT Square Pole Aluminum



The LED Straight Square Aluminum poles are built from high strength steeltube and are available side drilled for arm mounted area lighting luminaires or with tenon mounts for flood and post top luminaires. Typical area lighting applications include retail centers, industrial parks, schools and universities, public transit and airports, office buildings and medical facilities. Mounting heights of 10 to 30 feet can be used based on selected luminaire, application

## Finish:

Textured architectural bronze powder coat finish, baked to ensure maximum paint adhesion, hardness and durability

## Hand Hole and Cover included:

Allows electrical workers to hook-up the wires from underground to the wires that power the light above.

## Pole Length:

Poles are available in standard lengths and can be custom cut to order. Consult Factory.

## Anchor Bolts:

Anchor Bolts are Included.

## Base Cover:

Poles are provided with a two-piece formed steel base cover that is easily assembled and fitted over pole base.



# 4X4" 20FT Square Pole Alumium

## PERFORMANCE SUMMARY

<p>4 Sots 90° Apart As Shown</p>	<h3>Base Mounting Screw</h3> <p>Finish: Silver</p> <p>Before installing the lamp pole, the installation hook should be buried underground and fixed by cement. After fixing, the lamp pole should be fixed by locking screw and base installed.</p>
	<h3>Base Shield</h3> <p>Finish: Dark Bronzer</p> <p>The 5" Installation of base shield is used to protect the base after fixing the lamp pole, so that the lamp pole base is not damaged, thereby increasing the service life of the lamp pole.</p>

Model No	Pole Dimensions			Base Plate	Anchor Bolts	
	Nominal Mounting Height	Wall Thick (ga)	Structural Weight (lb)	Bolt Circle Diameter (in)	Dia x Length x Hook (in)	Projection (in)
VP20F4NSQ	20'	11	200	8.0 - 9.0	0.75 x 17.00 x 3.00	3.25 - 3.75

Maximum EPA with 1.3 Gust Factor (ft)					Pole weight (lbs)
70mph	80mph	90mph	110mph	120mph	
4.6	3.0	1.7	0.7	0.7	183