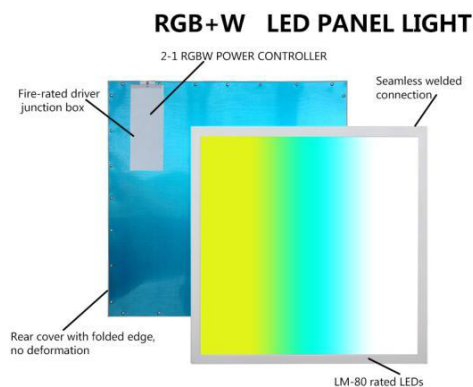


ETL Certificated RGBW/RGB+ WhiteLED Panel Light



Areas of application:

- Dancing pubs, Bars.
- window gallery lighting, Coffee house.
- Hotels/Furniture lighting, Show Room.
- drawing sand table, and medical tools.

Product features

- SMD3528 RGB Epistar Chips + SMD3528 White color optional (ww/cw/nw/pw).
- With very strong and firm seamless connection structure 11.5mm thickness flat aluminum frame, with the unique new designed and developed structure, together with the diffused PMMA optical lens, 170 degree beam angle, good for heat dissipation which makes our rgbw panel with long span life >50000 hours.

- Lamp Body Material: Aluminum frame + PMMA LGP + PC diffuser
- Anodic Oxidation Silver Frame/Spray White Frame finished.
- Controlled by Constant Voltage Flicker free 2-1 power driver 2.4G RF touch Remote or 2.4g key remote, or bluetooth.
- Pure white and mixed white, superior than rgbw panel.

More Advantages

1. Controlled by Constant Voltage 24Vdc Flicker free 2-1 power driver.
2. RGB more colorful and bright, no flickering, light is more uniformity.
3. White single CCT more bright, high light efficacy 80lm/w.

same as single cct panel light, 3000k/4000k/5000k/6000k optional. White cct color temperature dimmable.

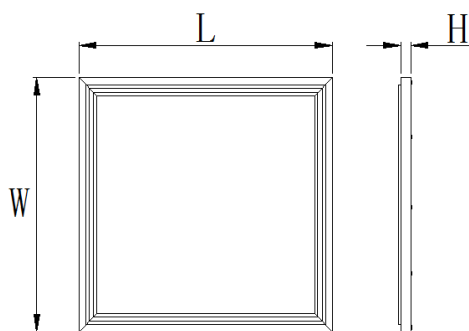
4.no need extra power adapter and rgbw controller.

5.fast and easy connection with 5 pins male and female connector for panels and 2-1 power driver.

6.rgb and white color will not light together, each color from rgb and white cct more pure and bright.

7.ETL Control No.: 5013018

RGB+W panel Series Dimension



Unit: feet(')

| MODE NO | L | W |
|---------|-----|-----|
| VLL-P04 | 1ft | 4ft |
| VLL-P05 | 2ft | 2ft |
| VLL-P06 | 2ft | 4ft |

Unit: inch(mm)

| MODE NO | L | W | H |
|---------|-----|------|------|
| VLL-P04 | 301 | 1213 | 11.5 |
| VLL-P05 | 603 | 603 | 11.5 |
| VLL-P06 | 603 | 1213 | 11.5 |

RGB +W panel Series D atasheet

| MODE NO | Power | Light Efficiency | N.W/KG | Voltage |
|---------|-------|------------------|--------|------------------|
| VLL-P04 | 36W | 75-85lm/w | 3.9KG | AC110-270V/DC24V |
| VLL-P05 | 36W | 75-85lm/w | 4.1KG | AC110-270V/DC24V |
| VLL-P06 | 60W | 75-85lm/w | 7.9KG | AC110-270V/DC24V |

SMD LED light Source Datasheet

| LED Type | LED power | CRI(W) | Lumenious Flux (W) | White Color Temp | Brand |
|-------------|--------------|--------|--------------------|--------------------------|---------|
| SMD3528 RGB | 0.5W/LED RGB | CRI>80 | 24-26lm/LED | 3000K/4000K/5000K /6000K | Epistar |
| SMD3528 W | 0.5W/LED W | | | | |

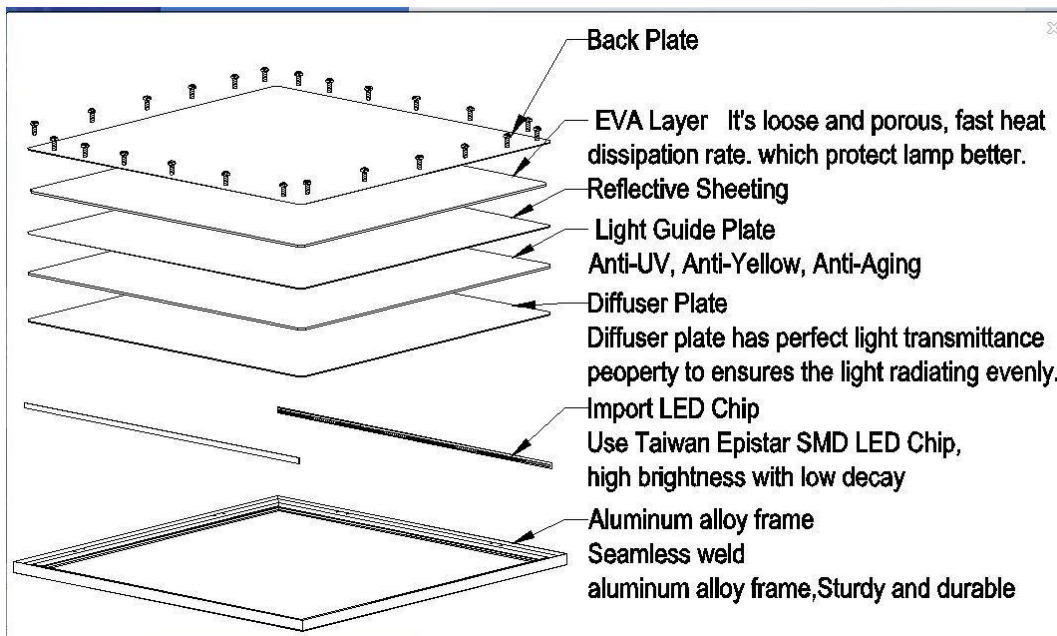
Material parameter Datasheet

| SMD LED | Diffuser | LGP | Front Frame | Back frame | Driver |
|-------------|------------------------|----------------|----------------|--------------------------|--------|
| SMD3528 RGB | PS(0.15mm) PMMA(0.3mm) | Al6063(11.5mm) | Iron+Zn(0.3mm) | Constant Voltage (24Vdc) | |
| SMD3528 W | | | | | |

Working Environment

| Operate Temperature | Operate Humidity | Storage Temperature | Protection Level |
|---------------------|------------------|---------------------|------------------|
| -20°C~50°C | 10%~60%RH | -20°C~50°C | IP40 |

Structure Drawing



Detailed Picture



RGBW LED PANEL LIGHT 2'4FT/603*1213*11.5mm
 Model: YLL-P06 AC120V ~; DC24V; 50/60Hz; 60W
 Date Code: 2018/12 CONFORMS TO UL STD 1598
 CERTIFIED TO CSA STD C22.2 No.250.0

SUITABLE FOR DRY LOCATIONS
 CONVIENT AUX ENDROITS MOUILLÉS
MIN 75°C SUPPLY CONDUCTORS
 LES FILS D'ALIMENTATION 75°C MIN
 MADE IN CHINA

CONSULT A QUALIFIED ELECTRICIAN TO ENSURE
 CORRECT BRANCH CIRCUITENSURE CORRECT
 BRANCH CIRCUIT CONDUCTOR
 CONSULTER UN ÉLECTRICIEN QUALIFIÉ POUR
 VOUS ASSURER QUE LES CONDUCTEURS
 DE LA DÉRIVATION SONT ADÉQUATS



CAUTION – RISK OF FIRE
ATTENTION – RISQUE D'INCENDIE
CAUTION – RISK OF SHOCK
ATTENTION – RISQUE DE CHOC

Remote instruction

Hand holder (optional)

-RGBW touch remote

-Anti-interference

-Smooth RGBW dimming

(Brightness 0~100%)

-Long distance receiving

Remote 20~30meters

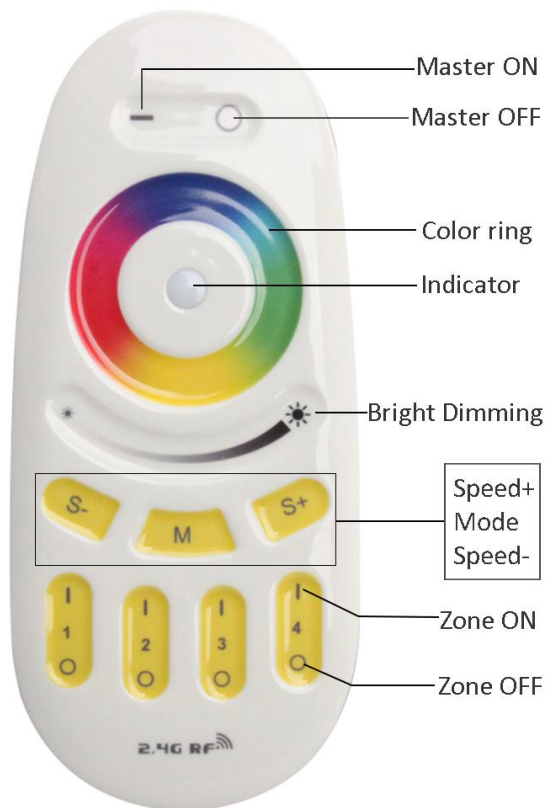
-Programs can be varied in speed

-Memory function

-Million colors optional

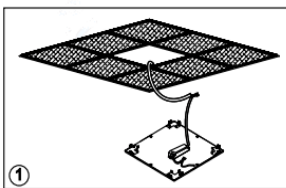
-8 dynamic model

Remote dimensions: 120×52×20mm

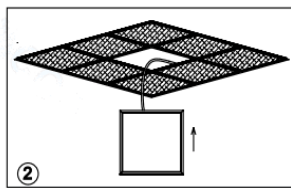


Installation

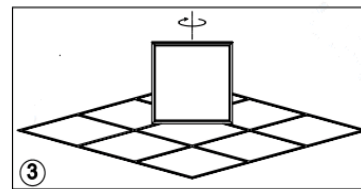
1. Recessed Mounted



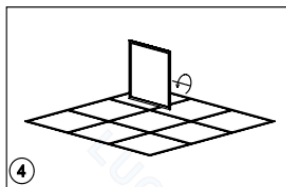
- ① • Make the power output terminal link to the led light panel lamp input
- Make the power input terminal received AC power supply



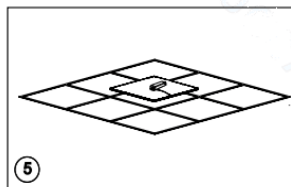
② Embedded installation of led light panel



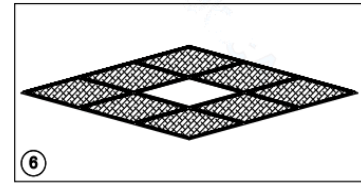
③ Make rotating face of the led light panel



④ Make face of the led light panel down



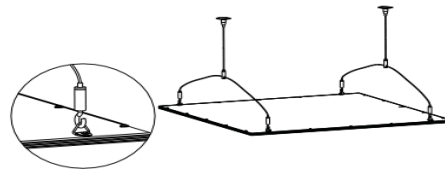
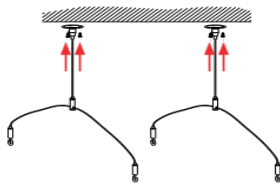
⑤ Make the panel light and the ceiling lanterns position adjustment aligned



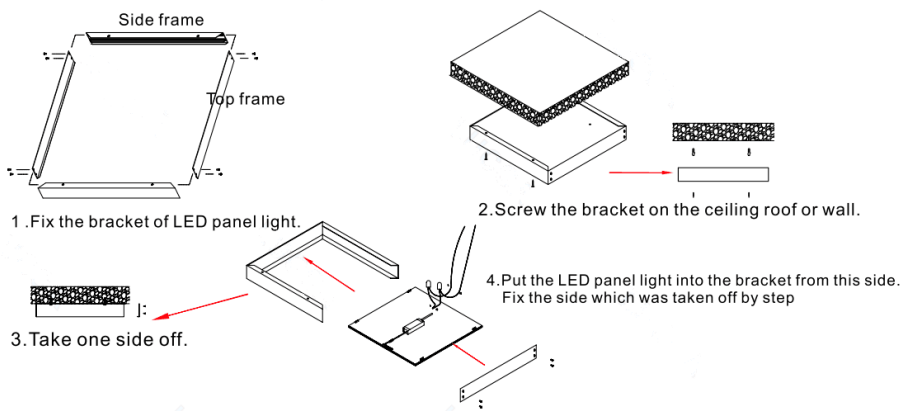
⑥ Completed the installation process

2. Suspended Installation

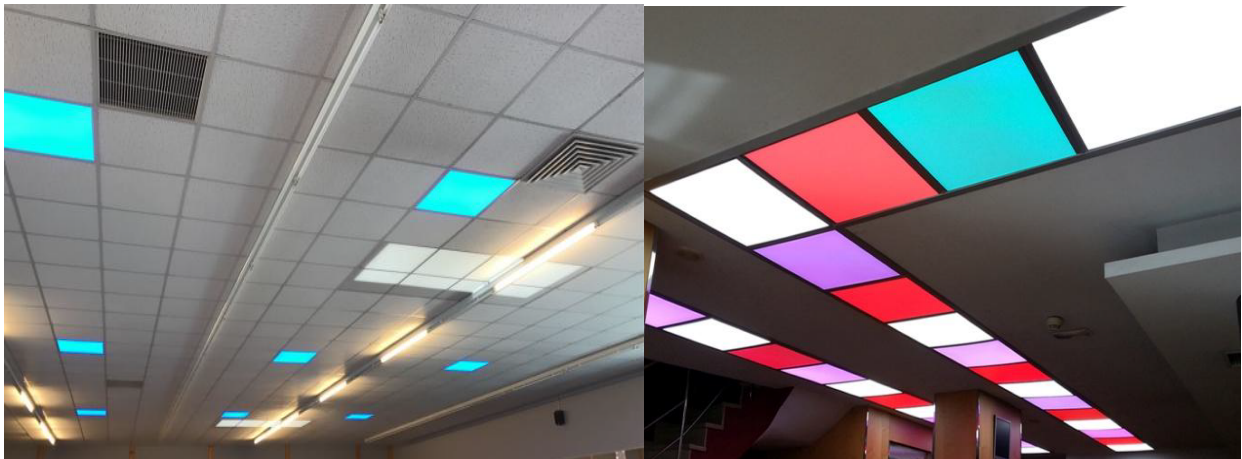
- 1 Screw the steel cable into the ceiling
- 2 Using the steel cable hook suspending the four hangers of the panel



3. Surface Mounted installation

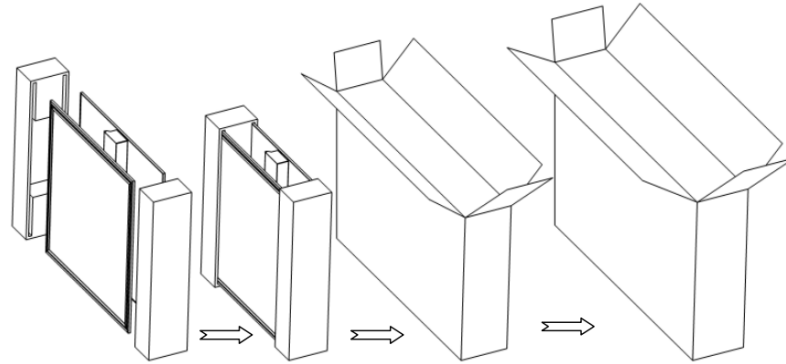


Application



Package Information

| MODE NO | Size | Qty/carton | G.W/Carton | Carton size |
|---------|----------|------------|------------|-------------------|
| VLL-P04 | 2ft x2ft | 4pcs | 16KG | L685xW265xH685mm |
| VLL-P05 | 1ft x4ft | 4pcs | 16.5KG | L1315xW265xH385mm |
| VLL-P06 | 2ft x4ft | 2pcs | 15KG | L1315xW145xH685mm |



Notice:

- 1.The working voltage of led panel is DC24V, AC100V-240V, should be handled and installed by professional electrician.
- 2.Please read the instructions carefully and keep the manual for further use.
- 3.Please shut down the power before cleaning and maintaining. Do not use liquid or corrosive gas detergents to wipe the housing.
- 4.Please do not cover with fabrics or other materials when use.
- 5.Do not try to fix led panel yourself in order to avoid getting an electric shock or other harm.
- 6,Please handle it to a qualified maintenance engineer to repair.
- 7.Avoid the rain and strong mechanical vibration in the process of transportation.
- 8.Under the following circumstances: damaged electric wire or power supply, moisture penetration, drop down or damage the housing and other problems caused product's repairing, please turn off the power ant contact a qualified repairman.