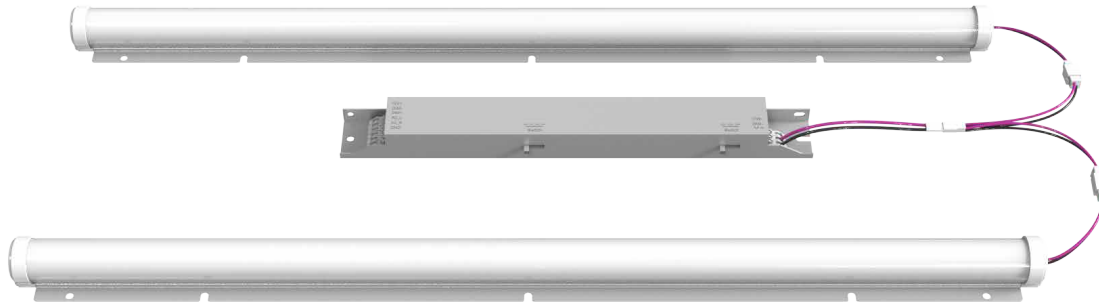


SUBMITTED BY: _____ DATE: _____
TYPE: _____ PROJECT: _____
ORDERING INFO: _____



LIGHT BAR KIT VLBK02



SPECIFICATION FEATURES

PRODUCT DESCRIPTION

The Light Bar Kit provides a cost-effective LED option for retrofit in nearly any fluorescent fixture with T8, T12 or T5 lamps. that retrofit traditional 1x4, 2x2, 2x4 light fixtures. Light Bar Kits replace tubes in recessed trofiers and wraparounds without the need to remove the housing from the ceiling. Applications including offices, lobbies, hallways and conference rooms in schools municipalities, libraries, airport, healthcare facilities and so on .

Key Features

- Contractor friendly, quick and easy install
- Eliminates the use of existing lampholders and confusing wiring to offer greater reliability.
- High power LED chips for high system efficiency up to 160 lumen/watt.
- Higher lumen maintenance with output exceeding L80 at 50,000 hours.
- CCT adjustable: 3500K, 4000K, 5000K or 3000K, 3500K, 4000K, 5000K, 6500K.
- Sheet metal housing, with better heat dissipation performance and higher power output.

Electrical

- Universal input voltage 120~277V
- External driver 25W / 45W / 65W
- Standard with 0-10V dimming allowing for 10% to 100% dimming
- PF > 90%, THD ≤ 20%
- Operating Temperature Range: -20°C to 40°C (-4°F - + 104°F)
Note: Operating with emergency battery temperature range: 10°C to 40°C (+50°F - + 104°F).





Warranty

- Five-year limited warranty.

Controls

- Optional Emergency battery.
- Optional sensor.

Installation

- Magnets secure lightbar for easy positioning and alignment. Self-tapping Tek screws are included to secure bar for final installation. Drivers are mounted in existing ballast channel. Lightbars and drivers plug together with modular wiring harness in a configuration specified when ordering for installation simplicity.

Lifespan

- Estimated 50,000-hour LED lifespan based on IES LM-80 results and TM-21 calculations.

Certifications

- UL cUL damp location listed

Note

- Actual performance may differ as a result of end-user environment and application. All values are design or typical values, measured under laboratory conditions at 25°C (±5°C) specifications subject to change without notice



ELECTRICAL DATA

Number Of Drivers	Driver Current (mA)	Nominal Power (W)	INPUT VOLTAGE (V)	CURRENT (Amps)
1	575	25	120	0.21
		25	208	0.12
		25	240	0.10
		25	277	0.09
1	1040	45	120	0.38
		45	208	0.22
		45	240	0.19
		45	277	0.16
1	1480	65	120	0.54
		65	208	0.31
		65	240	0.27
		65	277	0.23

PERFORMANCE DATA

ITEM	QTY	CCT	LPW	10W/15W/20W/25W	25W/30W/35W/45W	35W/45W/55W/65W
2FT	1 Bar	3000K/3500K/ 4000K/5000K/6500K	160	1600lm/2400lm/3200lm/4000 lm	--	--
2FT	2 Bars	3000K/3500K/ 4000K/5000K/6500K	160	1600lm/2400lm/3200lm/4000 lm	4000lm/4800lm/5600lm/7200 lm	--
2FT	3 Bars	3000K/3500K/ 4000K/5000K/6500K	160	1600lm/2400lm/3200lm/4000 lm	4000lm/4800lm/5600lm/7200 lm	5600lm/7200lm/8800lm/10400 lm
2FT	4 Bars	3000K/3500K/ 4000K/5000K/6500K	160	--	4000lm/4800lm/5600lm/7200 lm	5600lm/7200lm/8800lm/10400 lm
3FT	1 Bar	3000K/3500K/ 4000K/5000K/6500K	160	1600lm/2400lm/3200lm/4000 lm	--	--
3FT	2 Bars	3000K/3500K/ 4000K/5000K/6500K	160	1600lm/2400lm/3200lm/4000 lm	4000lm/4800lm/5600lm/7200 lm	--
3FT	3 Bars	3000K/3500K/ 4000K/5000K/6500K	160	1600lm/2400lm/3200lm/4000 lm	4000lm/4800lm/5600lm/7200 lm	5600lm/7200lm/8800lm/10400 lm
3FT	4 Bars	3000K/3500K/ 4000K/5000K/6500K	160	--	4000lm/4800lm/5600lm/7200 lm	5600lm/7200lm/8800lm/10400 lm
4FT	1 Bar	3000K/3500K/ 4000K/5000K/6500K	160	1600lm/2400lm/3200lm/4000 lm	--	--
4FT	2 Bars	3000K/3500K/ 4000K/5000K/6500K	160	1600lm/2400lm/3200lm/4000 lm	4000lm/4800lm/5600lm/7200 lm	--
4FT	3 Bars	3000K/3500K/ 4000K/5000K/6500K	160	1600lm/2400lm/3200lm/4000 lm	4000lm/4800lm/5600lm/7200 lm	5600lm/7200lm/8800lm/10400 lm
4FT	4 Bars	3000K/3500K/ 4000K/5000K/6500K	160	--	4000lm/4800lm/5600lm/7200 lm	5600lm/7200lm/8800lm/10400 lm

Note:

This table shows the optical parameters without a lens.

The product's lumens output and efficacy decrease by approximately 10% when lens is used.





CCT AND WATTAGE SELECTABLE

CCT SELECT

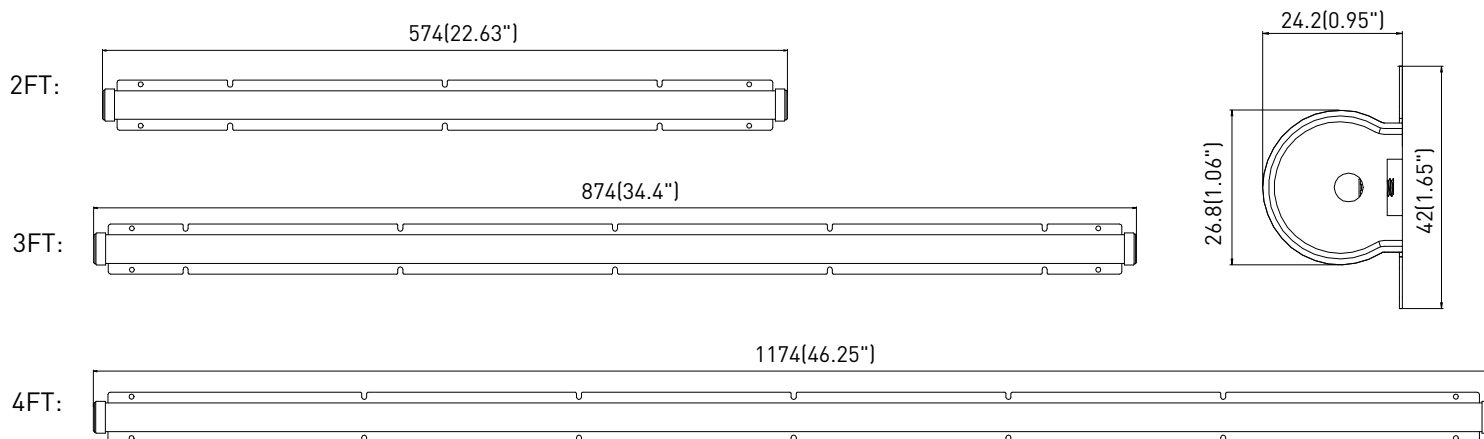
Offer five CCT adjustable (3000K, 3500K, 4000K, 5000K, 6500K) or three CCT adjustable (3500K, 4000K, 5000K)

WATTAGE SELECT

Each model supports 4 positions wattage regulation.

DIMENSIONS

unit: mm/inch



Ordering Guide Example: MLBK02 2F 25W 27V XXK YYYYYY

Fixture Type	Size	Watts	Input Voltage	CCT	Finish	Sensor (Option)	Emergency Battery
<input checked="" type="radio"/> VLBK02 Light bar kit	<input type="radio"/> 2F	<input type="radio"/> 25W	<input type="radio"/> 120-277V	DDK 3500/4000/5000K or 3000/3500/ 4000/5000/ 6500K Adjustable	White	<input type="radio"/> With Sensor <input type="radio"/> Without Sensor	<input type="radio"/> With Emergency Battery
	<input type="radio"/> 3F	<input type="radio"/> 45W					<input type="radio"/> Without Emergency Battery
	<input type="radio"/> 4F	<input type="radio"/> 65W					



ACCESSORIES (Optional)

	<p>NO. HD08VR-M1</p> <p>Description: 12VDC input voltage Microwave Sensor; Sensitivity: 100%, Time delay: 5 seconds, Light sensor: Disable, Standby brightness: 10%, Standby time: 0 seconds.</p>
	<p>Emergency Battery (Optional)</p> <p>STB41A-08WLi-55</p> <p>8W, 90min</p>