

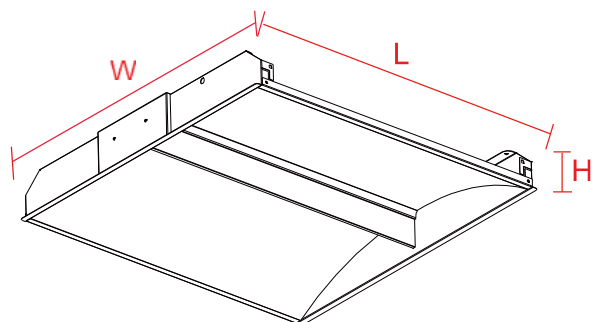
Centerline Edgelit Recessed Troffer



Feature

- 115lm/w for options
- Die formed of 0.5mm cold-rolled steel body
- 0-10v dimming, universal voltage: 100-277v
- Wide application for: school, hospital, super market, office and warehouse
- Fully recessed luminaire fits standard T-Grid ceilings
- High-diffusion LGL
- 5-year warranty

Product Dimension



Model	L×W×H
2x2	603x603x105 (mm) 23.74"x23.74"x4.13"
2x4	1213x603x105(mm) 47.76"x23.74"x4.13"

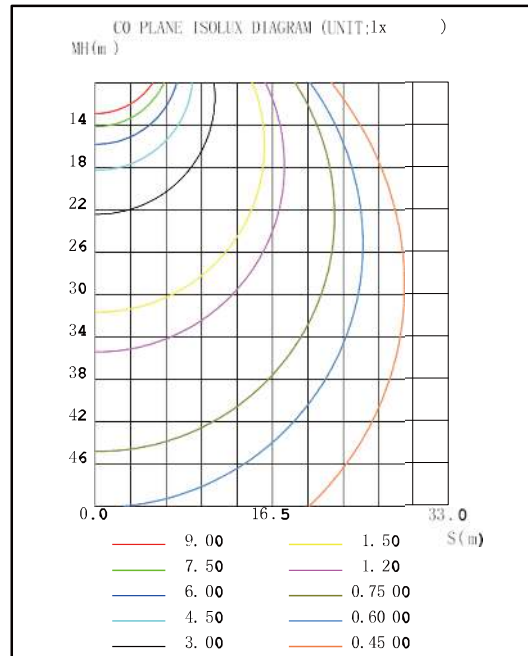
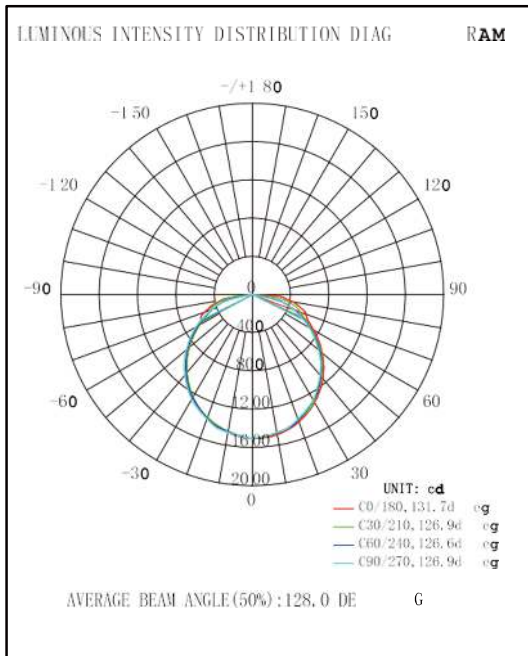
Specification

Part No.	Power	Input Voltage	Luminous Flux	Luminous Efficacy	CCT	Viewing Angle	Ra	PF	Warranty
CL-22-24W/35W/40W	24/35/40 WATT	AC100-277V	2760 4025 4600	115/LM/W	3000K 3500K 4000K 5000K	120	>80	..09	5 YEARS
CL-24-30W/35W/40W/50W	30/35/40/50 WATT	AC100-277V	3450 4025 4600 5750	115/LM/W	3000K 3500K 4000K 5000K	120	>80	..09	5 YEARS

The following multiple functions can be achieved according to customers' requests:

1. CCT options: 3000K, 3500K, 4000K, 5000K.
2. Available with external or built-in microwave motion sensor.
3. Emergency: the power is 8W, it can still work in 1.5hrs while emergency situation.

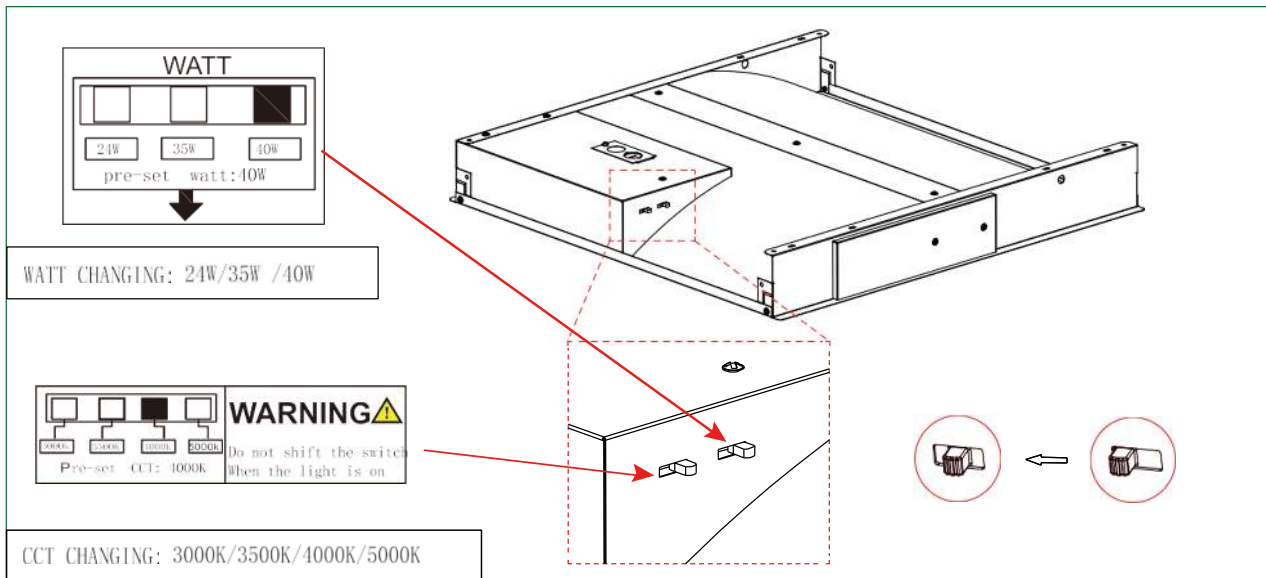
Testing Report



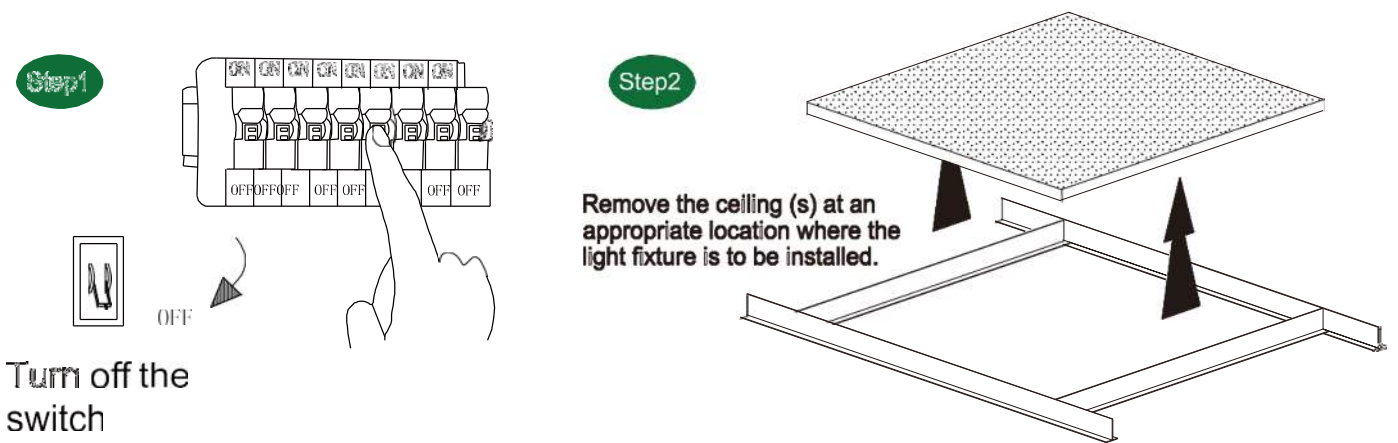
Applications



CCT AND WATT CHANGING



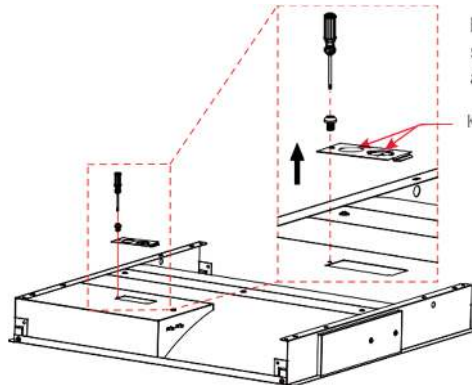
Installation manual A.T-Grid ceilings installation





Installation manual

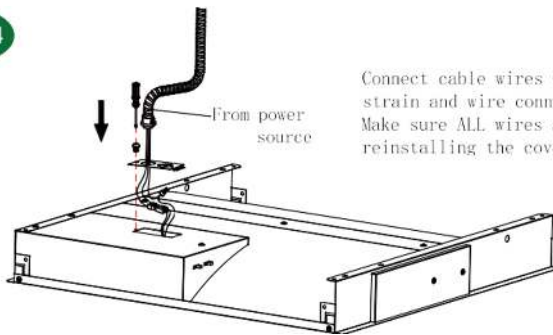
Step3



Power Leads Connection Remove screw holding access cover plate and remove the necessary knockout

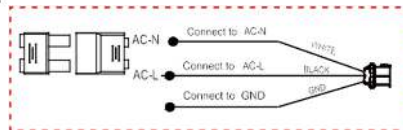
Knockout

Step4

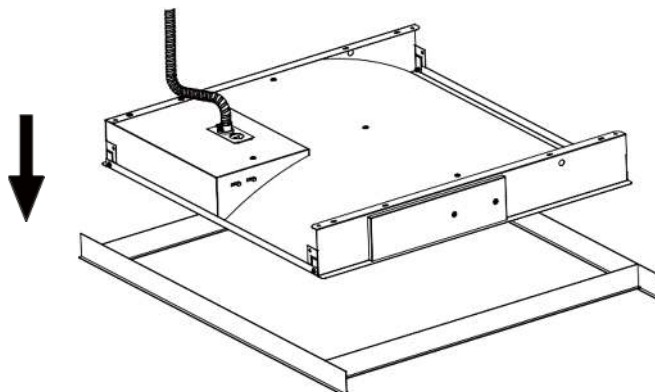


Connect cable wires with appropriate relief strain and wire connectors (not provided). Make sure ALL wires are tucked in before reinstalling the cover plate.

Wiring Diagram

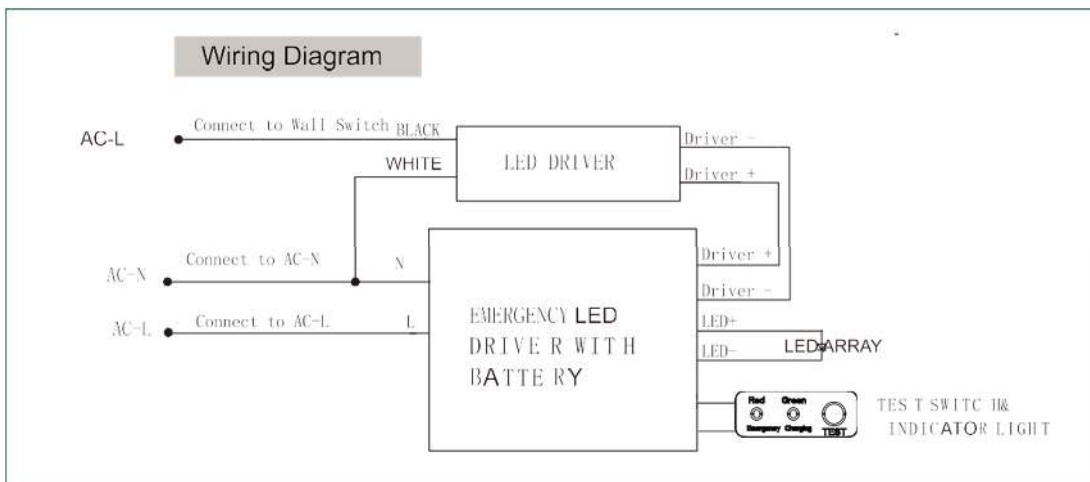
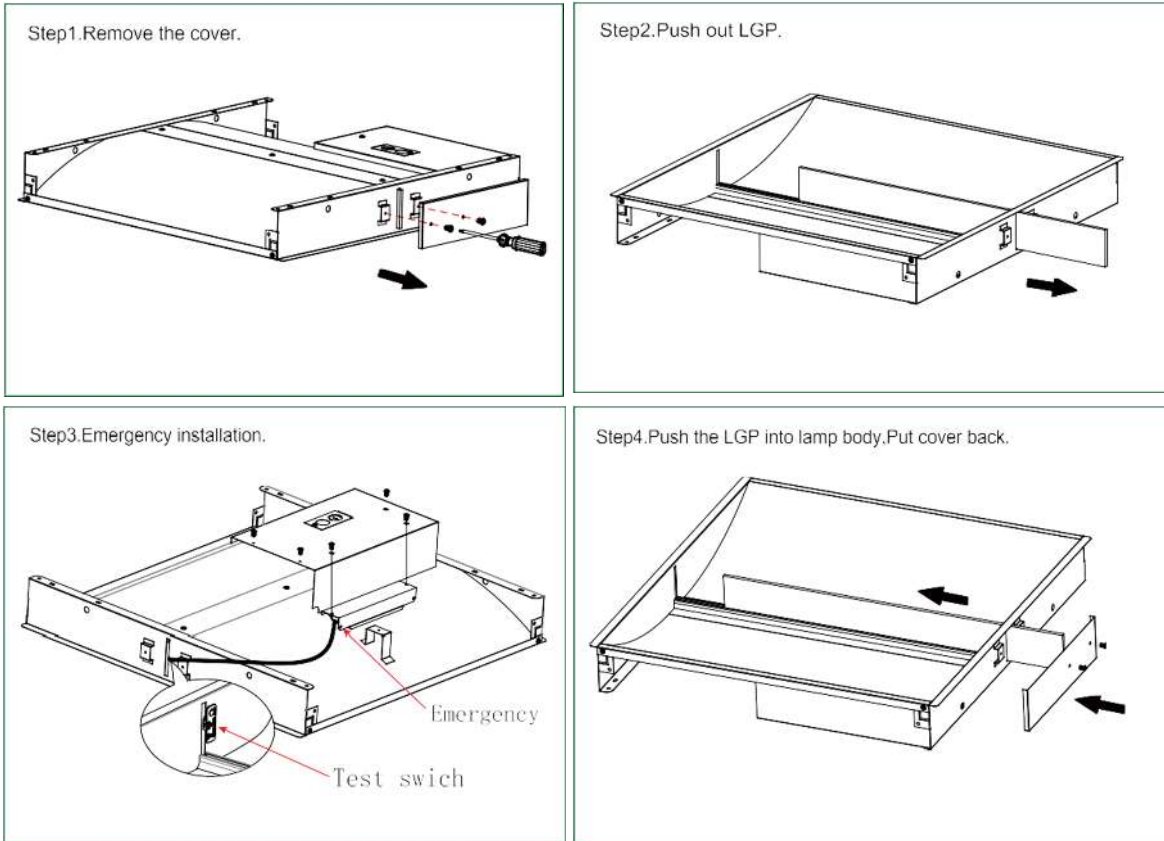


Step5





B. Emergency installation




SUBMITTED BY: _____ DATE: _____
TYPE: _____ PROJECT: _____
ORDERING INFO: _____



Important

Read this instruction carefully before installation. Keep it for further reference.
Make electrical and grounded connections in accordance with the national electrical code and any applicable code. Always turn off the power supply before installation.
This product must be installed in accordance with the applicable installation code by a qualified electrician who is familiar with the construction and operation of the product and the hazards involved.

WARNING:

- Risk of fire or electric shock. Fixture installation requires knowledge of luminaire electrical systems. If not qualified, DO NOT attempt installation. Contact a qualified electrician.
- Risk of fire or electric shock. Suitable for wet locations. Always turn off the power supply before installation.
- Risk of fire or electric shock. Suitable for non-insulated surface and frame. DO NOT cover fixture with insulation liner or similar material.
-  DO NOT install fixture on unstable, loose or easily breakable surface.
- DO NOT exert force on the surface of the fixture.

Note

1. The installation and maintenance must be completed by electricians or professionals.
2. Please cut off the power before installation and maintenance.
3. The thermally insulating material is not allowed to cover the fixture.
4. Please keep away from the corrosive substance, and keep the fixture dry and clean.
5. Working temperature: -4°F~113°F, storage temperature: -22°F~140°F.