

# BLA

## Architectural LED Bollard/Walkway Light



BLA is an innovative bollard light which enhance the aesthetic and creative of city in IP66 , thanks to its architectural design and UV resistant PC material to accommodate the demands of different areas in pathway, gardens, sidewalks, building entrance and etc.

### Key Features

- IP66 and IK10
- Unique and gorgeous appearance
- Visor is available as accessory
- Professional Type V light distribution

### Applications

- Gardens
- Pathways
- Sidewalk
- Building Entrance

#### Electrical Information

Model No.	BLA-014	BLA-024
Power Consumption(±10%)	14W	24W
Power Supply	Daermay	
Input Voltage	100-277 VAC , 50 / 60 Hz	
Power Factor	>0.9	
Surge Protection	2kV line-line, 4kV line-earth / 1kV line-line, 2kV line-earth	
Driver Type	Constant Current (CC)	
Control		



Optic Information	
LED Type	LED 3030
Luminous Flux (±10%)	1680 lm      2880 lm
Efficacy(4000K Ra70)	120 lm/W(R03203 )
Correlated Color Temperature	4000 K (3000 K, 5000 K optional)
Color Rendering Index	Ra80 (Ra70 optional)
Beam Angle	R03203 (Type V)
UGR level	NA

Dimensions and Mount				
Product Dimension	Φ165×500 mm (Φ6.5"×19.69")	Φ165×900 mm (Φ6.5"×35.43")	Φ165×500 mm (Φ6.5"×19.69")	Φ165×900 mm (Φ6.5"×35.43")
Luminaire Net Weight	4.5±0.3kg (9.92±0.66Lbs)	6.16±0.3kg (13.58±0.66Lbs)	4.5±0.3kg (9.92±0.66Lbs)	6.16±0.3kg (13.58±0.66Lbs)
Export Carton Size	Lamp body: 360 x 210 x215 mm(14.17"×8.27"×8.46") Lamp holder 0.5M: 505 x210 x215 mm(19.88"×8.27"×8.46") Lamp holder 0.9M: 915 x210 x215 mm(36.02"×8.27"×8.46")			
Gross Weight	5.6±0.3kg (12.35±0.66Lbs)	7.56±0.3kg (16.67±0.66Lbs)	5.6±0.3kg (12.35±0.66Lbs)	7.56±0.3kg (16.67±0.66Lbs)
Export Carton Size	Lamp 0.5M: 655x210x215mm(25.79"×8.27"×8.46") Lamp 0.9M: 1065 x210 x215 mm(41.93"×8.27"×8.46")			
Gross Weight	5.2±0.3kg (11.46±0.66Lbs)	7.2±0.3kg (15.87±0.66Lbs)	5.2±0.3kg (11.46±0.66Lbs)	7.2±0.3kg (15.87±0.66Lbs)
Mounting Option	Mounting kit with anchor bolts			
Material	Aluminum Alloy Polycarbonate Optical Lens			
Finish	Powder Coating			
Fixture Color	Black			
EPA	NA			
IK Rating	IK10			
IP Rating	IP66			

## Lifespan and Warranty

<b>Operating Temperature</b>	-30 °C to + 50 °C (-22 °F to 122 °F)
<b>Life Time of LED @ Ta=25°C</b>	37,843 hrs-L90
	78,516 hrs-L80
	124,627 hrs-L70
<b>Warranty</b>	5 Years

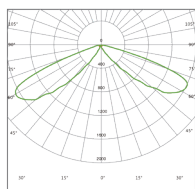
## New Features

- 10KV SPD available

*\* Please consult us for details.*

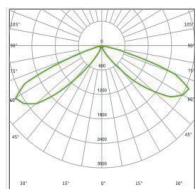
## Photometry

14W beam angle



R03203

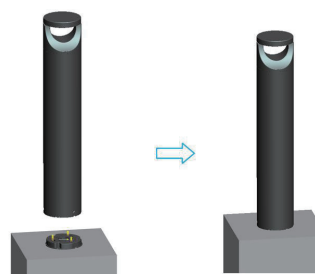
24W beam angle



R03203

## Mounting Options

Mounting kit with anchor bolts



## Accessories



**Round House Side Shield**  
To reduce glare light

Code: BC-B01-01

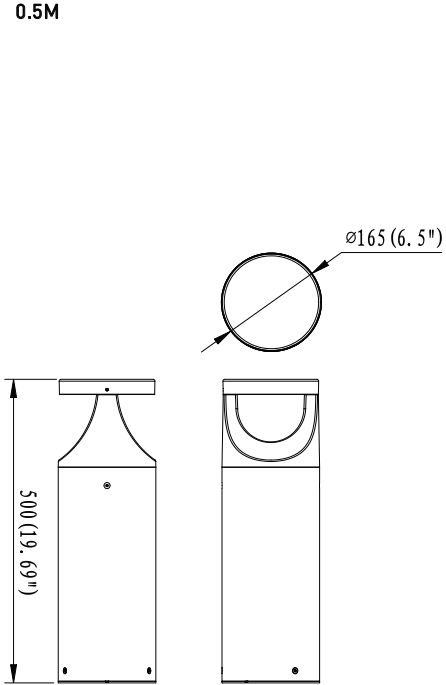


**Terminal Box**

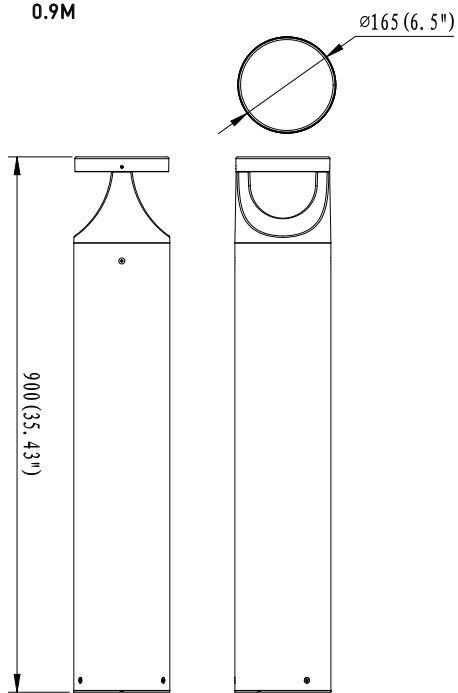
Code: CK-B01-01

# Dimensions

0.5M



0.9M



Base plate templates

