

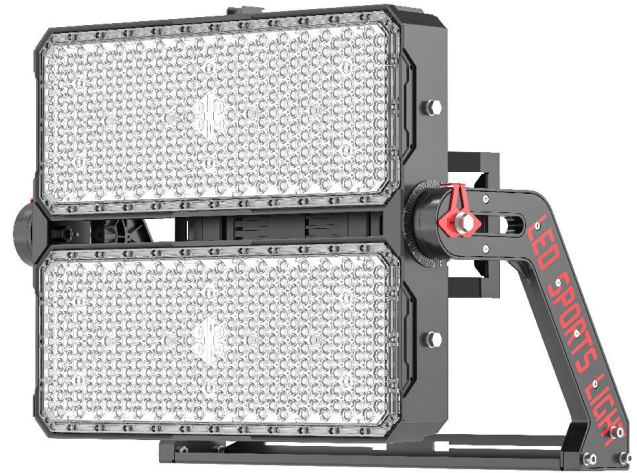
# VFL-07-G23 LED Sports Light



## Better solutions for LED Sports Light

-  IP66 Water-proof
-  AC120-277V 50/60Hz
-  Easy Installation
-  150Lm/W 160Lm/W

Operating Temp.: -40°C~+50°C  
Storage Temp.: -40°C~+80°C



## Options

Power	Color	Beam Angle	Control Optional
INVENTRONICS Driver	3000K	10°	ON/OFF
Lifud Driver	4000K	15°	0-10V
	5000K	30°	DALI
	5700K	60°	DMX 512
			ZigBee

## Application

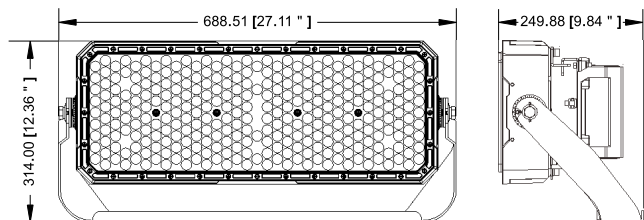
Sports Lighting, Stadium lighting, Sports fields, Car parks, High mast installations Dock, railway and container yards, Ports and other large scale outdoor applications, Architectural lighting, Landscape lighting, Industrial and commercial exterior lighting Decorative lighting for holidays, tradeshow, exhibitions.

## Specifications

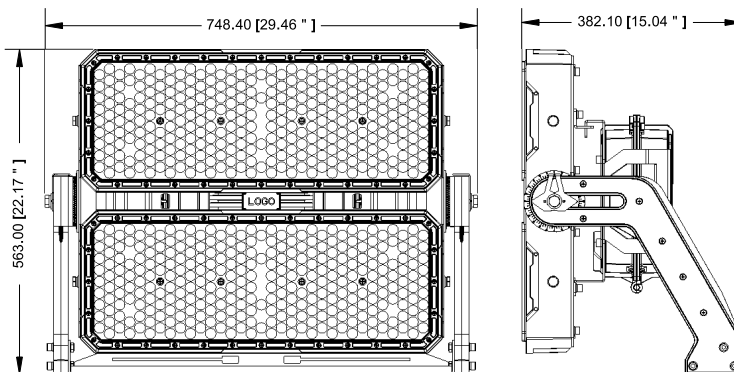
Item	Power	Effi.	Leds	CRI	Weight	Beam Angle
FL800W-07-G23	800W	150Lm/W 160Lm/W	OSRAM Leds SMD 5050	>70	18.00kg(39.68lbs)	10°/15° 30°/60°
FL1000W-07-G23	1000W	150Lm/W 160Lm/W	OSRAM Leds SMD 5050	>70	18.00kg(39.68lbs)	10°/15° 30°/60°
FL1600W-07-G23	1600W	150Lm/W 160Lm/W	OSRAM Leds SMD 5050	>70	36.00kg(79.37lbs)	10°/15° 30°/60°
FL1800W-07-G23	1800W	150Lm/W 160Lm/W	OSRAM Leds SMD 5050	>70	36.00kg(79.37lbs)	10°/15° 30°/60°



## Dimensions(mm)

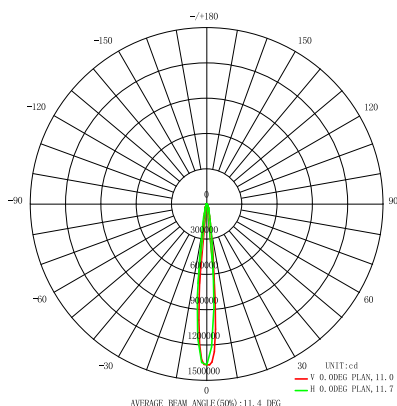


800W/1000W-P1A

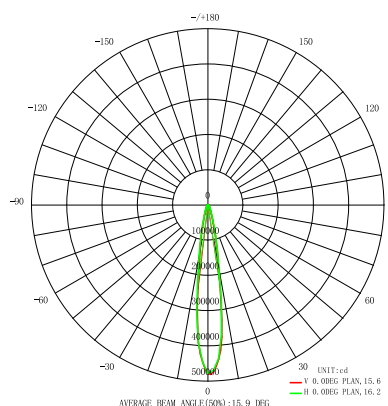


1600W/1800W-P1A

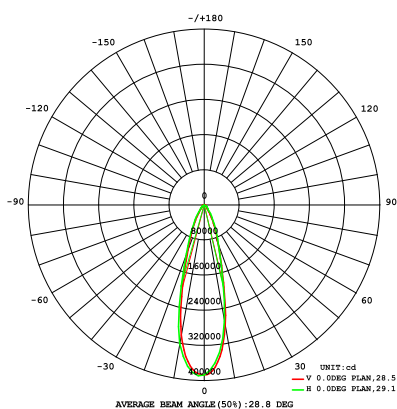
## Photometry



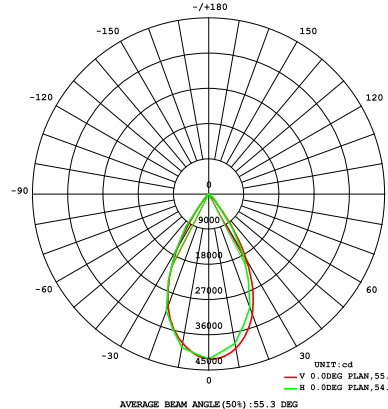
10°



15°



30°



60°

## Model Options

	800W/1000W	1600W/1800W		800W/1000W	1600W/1800W
P1A-Bracket + Driver box mounted on the lamp body			P1B-Bracket + Separate remote installation		
P1C-Bracket + Driver box mounted on the Bracket			P2A-Base + Driver box mounted on the lamp body		
P2B -Base + Separate remote installation			P2C -Base + Driver box mounted on the base		
P3A -Slip fitter + Driver box mounted on the lamp body			P3B -Slip fitter + Separate remote installation		
P4A -Trunnion + Driver box mounted on the lamp body			P4B -Trunnion + Separate remote installation		

## Installation and use

<b>Remarks</b>	<p>Brown/Black – L Blue/White – N G/Y – GND</p>		
	<b>Caution</b> :Vertical installation is absolutely not permitted.		<b>Caution</b> :When the angle of the luminous surface exceeds 90°,the lamp power is reduced by 20%.

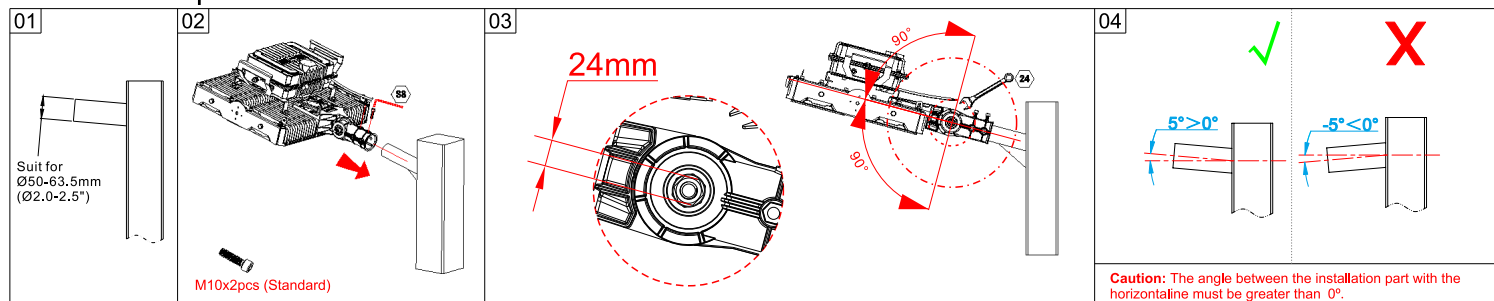
### P1A/P1B/P1C Bracket

<p>01</p> <table border="1"> <thead> <tr> <th>Power</th> <th>L</th> <th>d1</th> <th>d2</th> <th>d3</th> <th>d4</th> <th>d5</th> <th>a</th> </tr> </thead> <tbody> <tr> <td>1000W</td> <td>350mm</td> <td>30mm</td> <td>40mm</td> <td>17mm</td> <td>17mm</td> <td>13mm</td> <td>45°</td> </tr> <tr> <td>1800W</td> <td>400mm</td> <td>50mm</td> <td>40mm</td> <td>17mm</td> <td>17mm</td> <td>17mm</td> <td>45°</td> </tr> </tbody> </table>	Power	L	d1	d2	d3	d4	d5	a	1000W	350mm	30mm	40mm	17mm	17mm	13mm	45°	1800W	400mm	50mm	40mm	17mm	17mm	17mm	45°	<p>02</p> <p>M16x3pcs (Optional)</p>	<p>03 Only P1C</p> <p>2pcs (Standard)</p>	<p>04 Only P1C</p> <p>Male Plug Female Plug</p>	<p>05</p>	<p>06 Only 1600W/1800W</p> <p>The lamp body can be adjusted back and forth by 100mm</p>
Power	L	d1	d2	d3	d4	d5	a																						
1000W	350mm	30mm	40mm	17mm	17mm	13mm	45°																						
1800W	400mm	50mm	40mm	17mm	17mm	17mm	45°																						

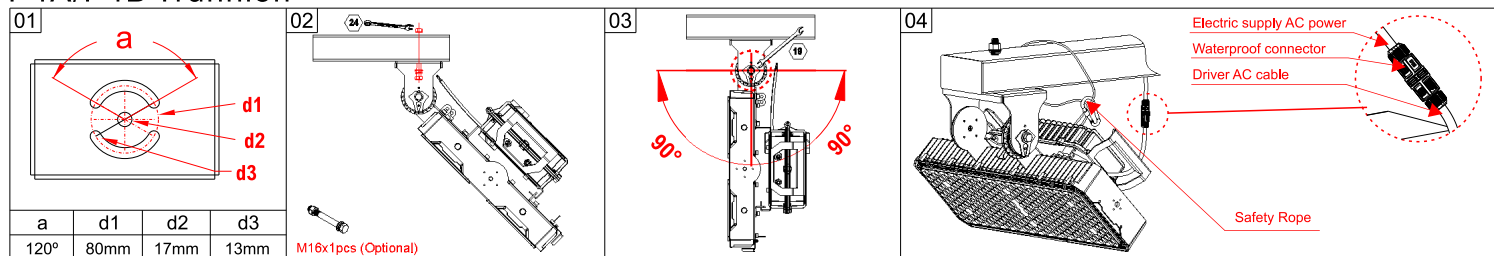
### P2A/P2B/P2C Base

<p>01</p> <table border="1"> <thead> <tr> <th>Power</th> <th>d1</th> <th>d2</th> <th>a1</th> </tr> </thead> <tbody> <tr> <td>1000W</td> <td>80mm</td> <td>13mm</td> <td>90°</td> </tr> <tr> <td>1800W</td> <td>80mm</td> <td>13mm</td> <td>90°</td> </tr> </tbody> </table>	Power	d1	d2	a1	1000W	80mm	13mm	90°	1800W	80mm	13mm	90°	<p>02</p> <p>M12x2pcs (Optional)</p>	<p>03</p> <p>24mm</p>	<p>04 Only P2C</p> <p>M8x2pcs (Standard)</p>	<p>05 Only P2C</p> <p>Male Plug Female Plug</p>
Power	d1	d2	a1													
1000W	80mm	13mm	90°													
1800W	80mm	13mm	90°													

### P3A/P3B Slip Fitter



### P4A/P4B Trunnion



## Packing Spec

Item	Box			Carton		
	Measurement(mm)	Gross weight	Pcs/box	Measurement(mm)	Gross weight	Pcs/box
FL800W/1000W-07-G23-P1A	L775*W435*H310	20.50kg(45.20lbs)	1	/	/	/
FL1600W/1800W-07-G23-P1A	L815*W745*H350	41.00kg(90.40lbs)	1	/	/	/
FL1600W/1800W-07-G23-P1B	L815*W745*H275	34.60kg(76.28lbs)	1	/	/	/
FL1600W/1800W-07-G23-P1C-B8	Lamp:L815*W745*H275	34.60kg(76.28lbs)	1	/	/	/
	G8 Driver box: L500*W410*H260	12.50kg(27.56lbs)	1	/	/	/
FL1600W/1800W-07-G23-P1C-DL	L815*W745*H275	43.00kg(94.80lbs)	1	/	/	/