





Better solutions for LED Sports Light

 IP66 Water-proof

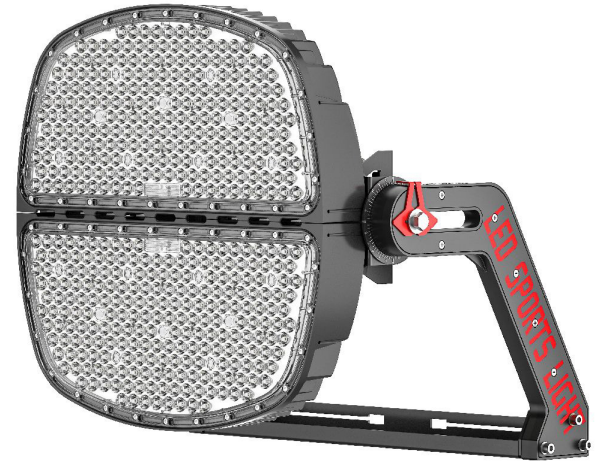
 AC120-277V 50/60Hz

 Easy Installation

 150Lm/W 170Lm/W

Operating Temp.: -40°C~+50°C

Storage Temp.: -40°C~+80°C



Power	Color	Beam Angle	Control Optional
INVENTRONICS	3000K	10°	ON/OFF
Driver	4000K	15°	0-10V
Lifud Driver	5000K	30°	DALI
	5700K	60°	DMX 512
		90°	ZigBee
		T2[117*34°]	

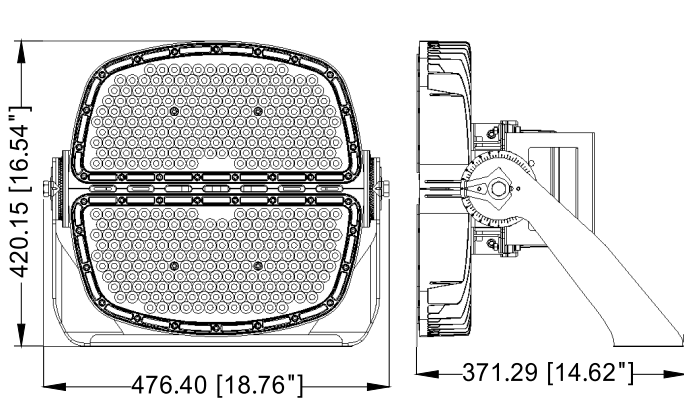
Application

Sports Lighting, Stadium lighting, Sports fields, Car parks, High mast installations Dock, railway and container yards, Ports and other large scale outdoor applications, Architectural lighting, Landscape lighting, Industrial and commercial exterior lighting
Decorative lighting for holidays, tradeshow, exhibitions.

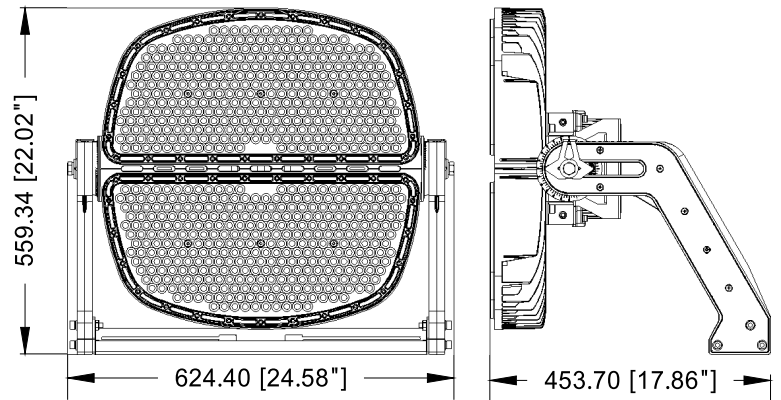
Specifications

Item	Power	Effi.	Leds	CRI	Weight	Beam Angle
FL400W-07-G18	400W	150Lm/W 170Lm/W	OSRAM Leds SMD 5050	>70	14.30kg(31.53lbs)	10°/15° 30°/60°
FL500W-07-G18	500W	150Lm/W 170Lm/W	OSRAM Leds SMD 5050	>70	14.30kg(31.53lbs)	10°/15° 30°/60°
FL600W-07-G18	600W	150Lm/W 170Lm/W	OSRAM Leds SMD 5050	>70	14.45kg(31.86lbs)	10°/15° 30°/60°
FL800W-07-G18	800W	150Lm/W 170Lm/W	OSRAM Leds SMD 5050	>70	25.90kg(57.10lbs)	10°/15° 30°/60°
FL1000W-07-G18	1000W	150Lm/W 170Lm/W	OSRAM Leds SMD 5050	>70	25.90kg(57.10lbs)	10°/15° 30°/60°
FL1200W-07-G18	1200W	150Lm/W 170Lm/W	OSRAM Leds SMD 5050	>70	26.20kg(57.76lbs)	10°/15° 30°/60°

Dimensions(mm)

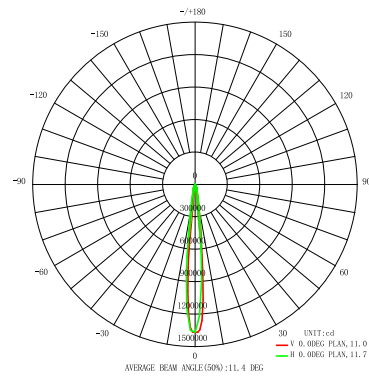


400W/500W/600W-P1A

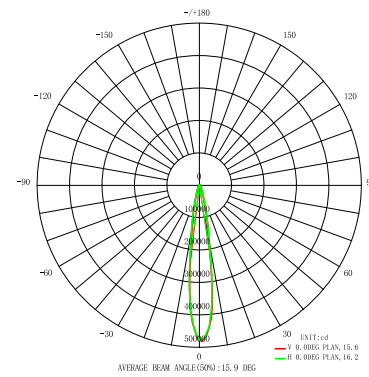


800W/1000W/1200W-P1A

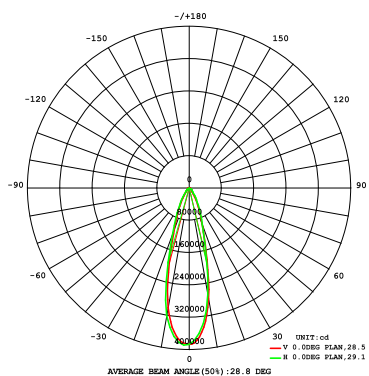
Photometry



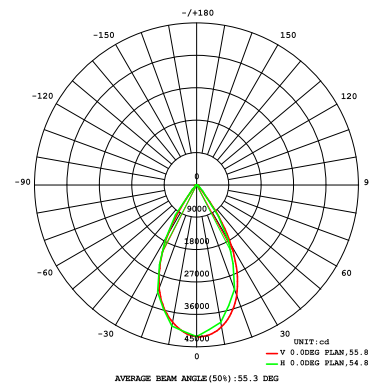
10°



15°



30°



60°

Model Options

	400W/500W/600W	800W/1000W/1200W		400W/500W/600W	800W/1000W/1200W
P1A-Bracket + Driver box mounted on the lamp body			P1B-Bracket + Separate remote installation		
P1C-Bracket + Driver box mounted on the Bracket			P2A-Base + Driver box mounted on the lamp body		
P2B -Base + Separate remote installation			P2C -Base + Driver box mounted on the base		
P3A -Slip fitter + Driver box mounted on the lamp body			P3B -Slip fitter + Separate remote installation		
P4A -Trunnion + Driver box mounted on the lamp body			P4B -Trunnion + Separate remote installation		

Installation and use

Remarks	<p>Brown/Black – L Blue/White – N G/Y – GND</p>		
	<p>Caution :Vertical installation is absolutely not permitted.</p>		<p>Caution :When the angle of the luminous surface exceeds 90°,the lamp power is reduced by 20%.</p>

P1A/P1B/P1C Bracket

<p>01</p>	<p>02</p>	<p>03 Only P1C</p>	<p>04 Only P1C</p>	<p>05 Only P1C</p>																									
<table border="1"> <thead> <tr> <th>Power</th> <th>D1</th> <th>D2</th> <th>D3</th> <th>L1</th> <th>L2</th> <th>L3</th> <th>A1</th> </tr> </thead> <tbody> <tr> <td>600W</td> <td>17mm</td> <td></td> <td></td> <td>170mm</td> <td>35mm</td> <td>12.5mm</td> <td></td> </tr> <tr> <td>1200W</td> <td>17mm</td> <td>120mm</td> <td>17mm</td> <td>400mm</td> <td>40mm</td> <td>17mm</td> <td>45°</td> </tr> </tbody> </table>	Power	D1	D2	D3	L1	L2	L3	A1	600W	17mm			170mm	35mm	12.5mm		1200W	17mm	120mm	17mm	400mm	40mm	17mm	45°	<p>M16x2pcs (Optional)</p>	<p>2pcs (Standard)</p>	<p>M8x2pcs (Standard)</p>	<p>Male Plug Female Plug</p>	<p>The lamp body can be adjusted back and forth by 100mm(Only 1200W)</p>
Power	D1	D2	D3	L1	L2	L3	A1																						
600W	17mm			170mm	35mm	12.5mm																							
1200W	17mm	120mm	17mm	400mm	40mm	17mm	45°																						

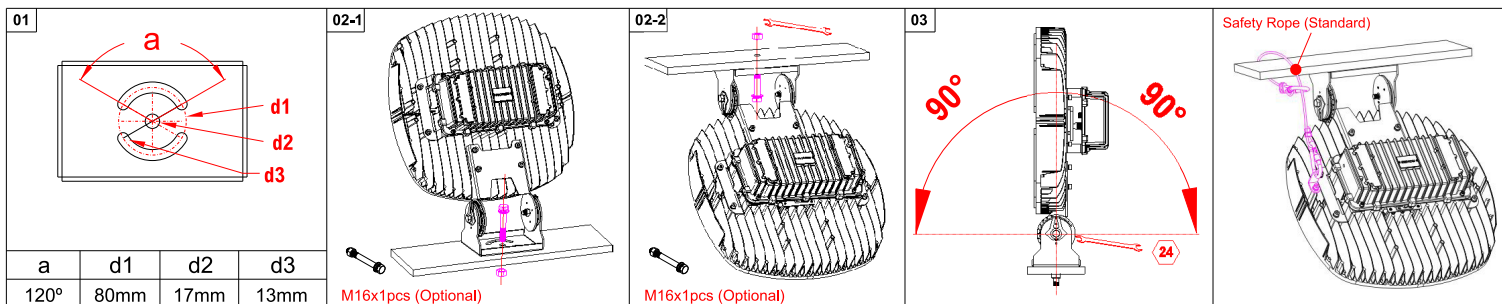
P2A/P2B/P2C Base

<p>01</p>	<p>02</p>	<p>03</p>	<p>04 Only P2C</p>	<p>05 Only P2C</p>													
<table border="1"> <thead> <tr> <th>Power</th> <th>d1</th> <th>d2</th> <th>a1</th> </tr> </thead> <tbody> <tr> <td>600W</td> <td>80mm</td> <td>13mm</td> <td>90°</td> </tr> <tr> <td>1200W</td> <td>80mm</td> <td>13mm</td> <td>90°</td> </tr> </tbody> </table>	Power	d1	d2	a1	600W	80mm	13mm	90°	1200W	80mm	13mm	90°	<p>M12x2pcs (Optional)</p>	<p>90°</p>	<p>M8x2pcs (Standard)</p>	<p>Male Plug Female Plug</p>	<p>Safety Rope (Standard)</p>
Power	d1	d2	a1														
600W	80mm	13mm	90°														
1200W	80mm	13mm	90°														

P3A/P3B Slip Fitter

<p>01</p> <p>Suit for Ø50-63.5mm (Ø2.0-2.5")</p>	<p>02</p>	<p>03</p>	<p>04</p>	
	<p>M10x2pcs (Standard)</p>	<p>80°</p>	<p>Caution: The angle between the installation part with the horizontal line must be greater than 0°.</p>	<p>Safety Rope (Standard)</p>

P4A/P4B Trunnion



Packing Spec

Item	Box			Carton		
	Measurement(mm)	Gross weight	Pcs/box	Measurement(mm)	Gross weight	Pcs/box
FL400W~600W-07-G18 -P1AP2AP3AP4AP2BP3B	L630*W500*H300	17.00kg(37.48lbs)	1	/	/	/
FL400W~600W-07-G18 -P1BP4B	L630*W500*H220	14.50kg(31.97lbs)	1	/	/	/
FL800W~1200W-07-G18 -P1AP1BP2AP2BP3AP3BP4AP4B	L745*W665*H290	29.70kg(65.48lbs)	1	/	/	/
FL800W~1200W-07-G18 -P1CP2C	Lamp:L745*W665*H290	23.80kg(52.47lbs)	1	/	/	/
	Driver:L500*W410*H260	8.50kg(18.74lbs)	1	/	/	/