

# VFL-07-G18(GBW) LED Flood Light



## Better solutions for Led Flood Light

- IP66 Water-proof
- Easy Installation

- AC180-528V 50/60Hz
- RGBW Light Source

Operating Temp.: -40°C~+50°C

Storage Temp. -40°C~+80°C

Driver	CCT	Housing Color	Housing Material
uPowerTek Driver	Multi-colored	Black/Grey	Die-cast aluminium, powder-coated finish



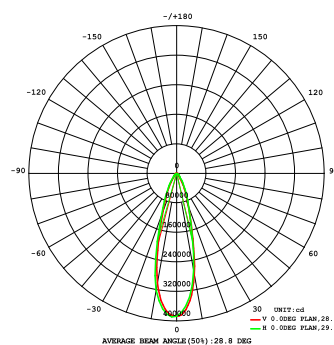
## Application

Not only is this par lights great for lighting stages, but also for wedding venue and home party, suitable for church, school hall, bar and club, Architectural lighting, Landscape lighting, Industrial and commercial exterior lighting, Decorative lighting for holidays, tradeshows, exhibitions. Bring colors and excitement to any party.

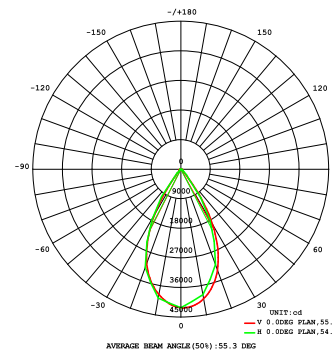
## Specifications

Item	Power	LED Channels	Weight	Beam Angle
FL400W-07-G18(GBW)	400W	Red/Green/Blue/White	17.45kg(38.5lbs)	30°/60°
FL500W-07-G18(GBW)	500W	Red/Green/Blue/White	17.45kg(38.5lbs)	30°/60°
FL800W-07-G18(GBW)	800W	Red/Green/Blue/White	27.00kg(59.5lbs)	30°/60°
FL900W-07-G18(GBW)	900W	Red/Green/Blue/White	27.00kg(59.5lbs)	30°/60°

## Photometry



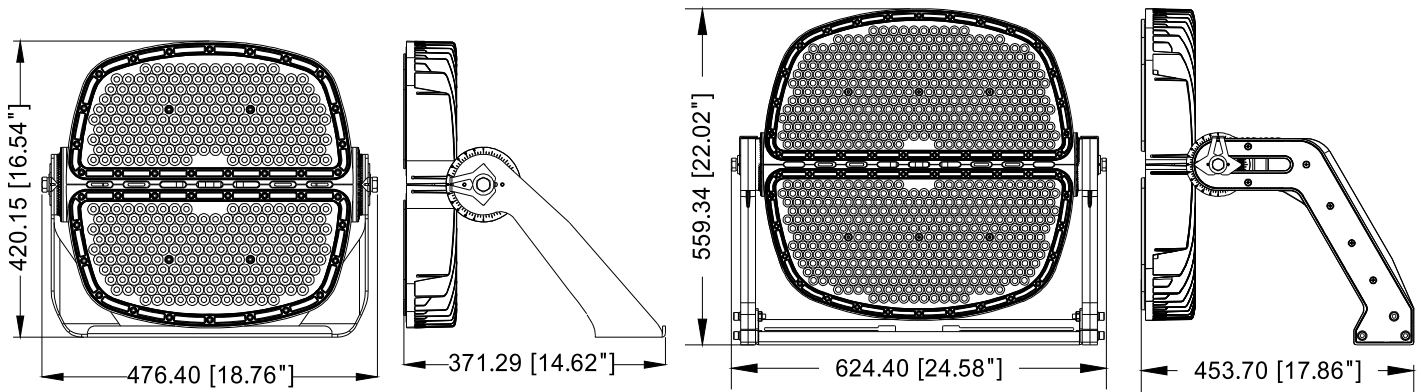
30°



60°



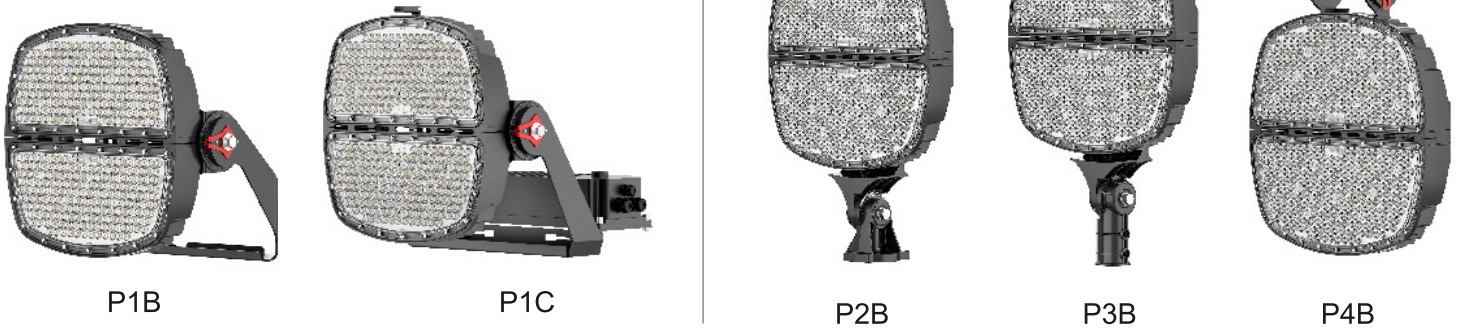
## Dimensions(mm)



400W/500W-P1B

800W/900W-P1B

## Model Options



P1B

P1C

P2B

P3B

P4B

## Control System



DMX/RDM Support: The lamp uses DMX512 controller, can be controlled by DMX512 computer lamp platform programming, can achieve multiple scenes, Multi-lighting program simultaneously run and lift the lamp operation.

# Installation and use

<b>Remarks</b>	<p>Brown/Black -- L Blue/White --- N G/Y ----- GND</p>		
	<p><b>Caution</b> :Vertical installation is absolutely not permitted.</p>		<p><b>Caution</b> :When the angle of the luminous surface exceeds 90°,the lamp power is reduced by 20%.</p>

## P1B/P1C Bracket

<p>01</p>	<p>02</p>	<p>03 Only P1C</p>	<p>04 Only P1C</p>	<p>05 Only P1C</p>																									
<table border="1"> <thead> <tr> <th>Power</th> <th>D1</th> <th>D2</th> <th>D3</th> <th>L1</th> <th>L2</th> <th>L3</th> <th>A1</th> </tr> </thead> <tbody> <tr> <td>500W</td> <td>17mm</td> <td></td> <td></td> <td>170mm</td> <td>35mm</td> <td>12.5mm</td> <td></td> </tr> <tr> <td>900W</td> <td>17mm</td> <td>120mm</td> <td>17mm</td> <td>400mm</td> <td>40mm</td> <td>17mm</td> <td>45°</td> </tr> </tbody> </table>	Power	D1	D2	D3	L1	L2	L3	A1	500W	17mm			170mm	35mm	12.5mm		900W	17mm	120mm	17mm	400mm	40mm	17mm	45°	<p>M16x2pcs (Optional)</p>	<p>2pcs (Standard)</p>	<p>M8x2pcs (Standard)</p>	<p>Male Plug Female Plug</p>	<p>360°</p> <p>The lamp body can be adjusted back and forth by 100mm Only 800W/900W</p>
Power	D1	D2	D3	L1	L2	L3	A1																						
500W	17mm			170mm	35mm	12.5mm																							
900W	17mm	120mm	17mm	400mm	40mm	17mm	45°																						

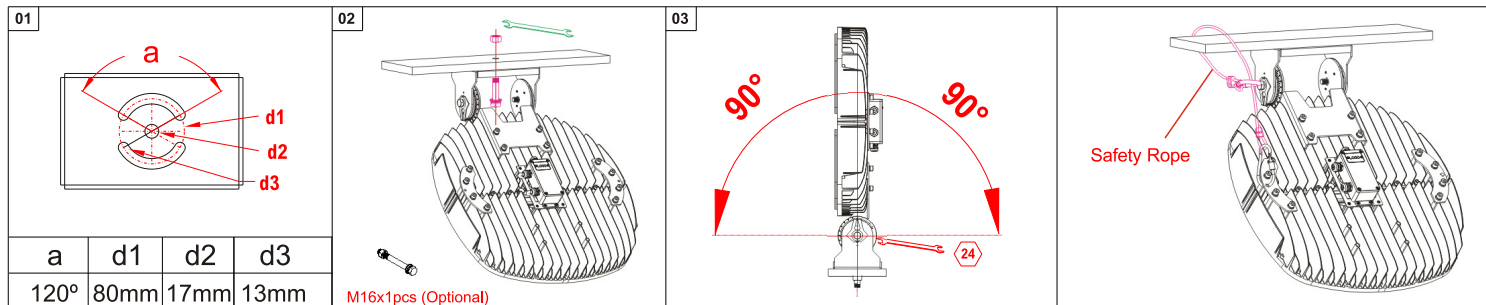
## P2B Base

<p>01</p>	<p>02</p>	<p>03</p>													
<table border="1"> <thead> <tr> <th>Power</th> <th>d1</th> <th>d2</th> <th>a1</th> </tr> </thead> <tbody> <tr> <td>500W</td> <td>80mm</td> <td>13mm</td> <td>90°</td> </tr> <tr> <td>900W</td> <td>80mm</td> <td>13mm</td> <td>90°</td> </tr> </tbody> </table>	Power	d1	d2	a1	500W	80mm	13mm	90°	900W	80mm	13mm	90°	<p>M12x2pcs (Optional)</p>	<p>24mm</p>	<p>Safety Rope</p>
Power	d1	d2	a1												
500W	80mm	13mm	90°												
900W	80mm	13mm	90°												

## P3B Slip Fitter

<p>01</p>	<p>02</p>	<p>03</p>	<p>04</p>
<p>Suit for Ø50-63.5mm (Ø2.0-2.5")</p>	<p>M10x2pcs (Standard)</p>	<p>24mm</p>	<p>Safety Rope</p>
<p><b>Caution</b>: The angle between the installation part with the horizontal line must be greater than 0°.</p>			

## P4B Trunnion



## Packing Spec

Item	Box			Carton		
	Measurement(mm)	Gross weight	Pcs/box	Measurement(mm)	Gross weight	Pcs/box
FL400W/500W-07-G18(RGBW) -P2B/P3B	L630*W500*H300	17.00kg(37.48lbs)	1	/	/	/
FL400W/500W-07-G18(RGBW) -P1B/P4B	L630*W500*H220	14.50kg(31.97lbs)	1	/	/	/
FL800W/900W-07-G18(RGBW) -P1B/P2B/P3B/P4B	L745*W665*H290	29.70kg(65.48lbs)	1	/	/	/
FL800W/900W-07-G18(RGBW) -P1C	Lamp:L745*W665*H290	23.80kg(52.47lbs)	1	/	/	/
	Driver:L500*W410*H260	8.50kg(18.74lbs)	1	/	/	/