

NSF Food Grade Highbay



Features

- ◆ Lumileds SMD LED;
- ◆ High efficacy 150LM/W&190LM/W ;
- ◆ New private mold design ;
- ◆ AC100-277V/AC100-347V /277-480V Optional;
- ◆ 115° beam angle;
- ◆ 70/80 CRI optional ;
- ◆ IP66 & IP69K,can be washed directly ;
- ◆ Operating temperature: -40°C ~ +45°C;
- ◆ 5 years warranty ;



Application:

- Food processing spaces
- Pharmace tical factory.
- Farm / animal buildings.
- Car wash
- Fresh shop
- Supermarket



IP66

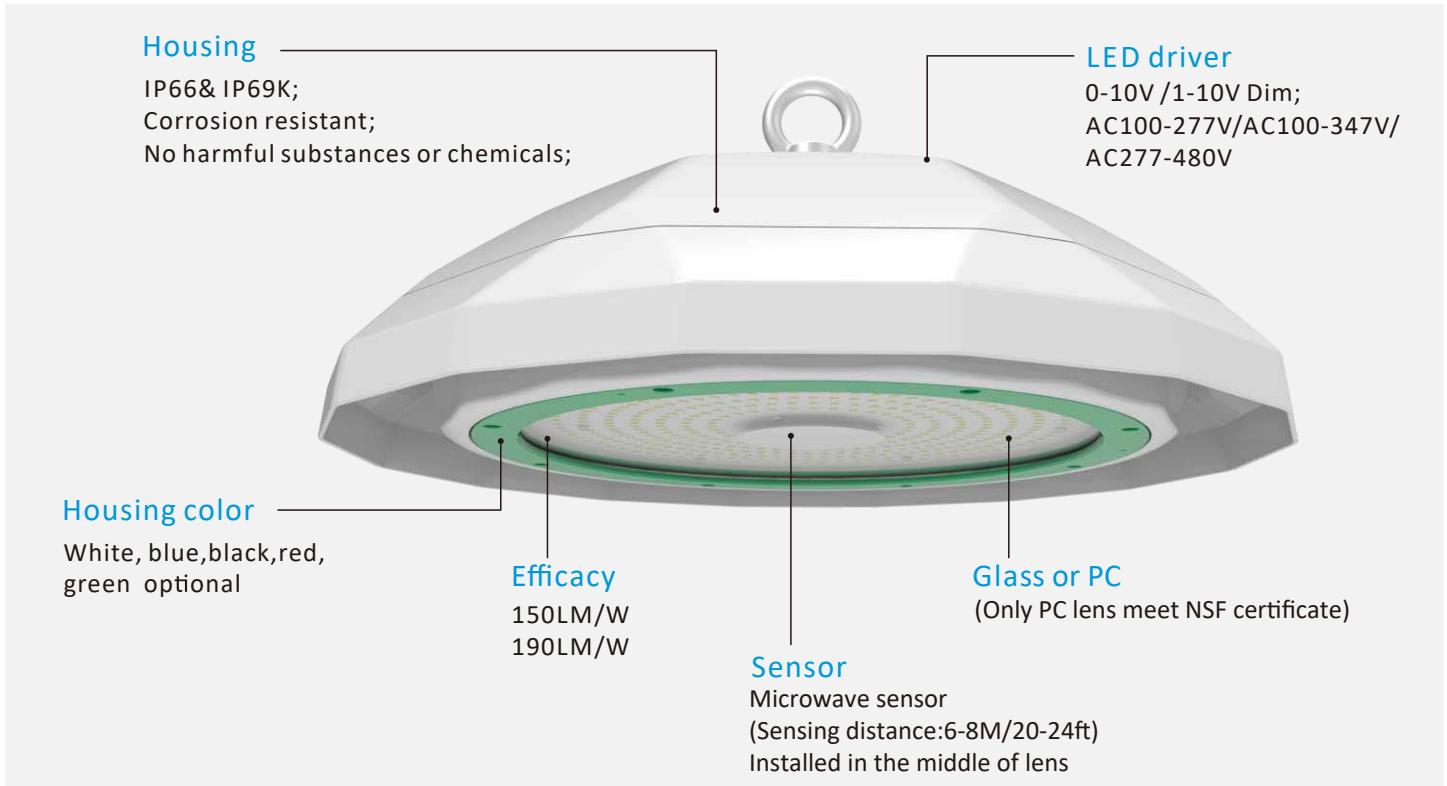


IP69K

Ordering Guide

For example: VE- NSF U XXW - XXK AA -MZPT

Brand	Product name	Region	Power	CCT	Input voltage	Mounting	Sensor	Driver	Efficacy
Nova	HBD	U	XXW	XXK	AA	M	Z	P	T
VE	NSFD	U.S.	80W 100W 125W 150W 185W 200W	30K 3000K 40K 4000K 50K 5000K 57K 5700K	SV AC100-277V LV AC100-347V HV AC277-480V	D Ring Pendant G Pole Mounted	S With N Without	I Isolated C Non-Isolated	A 190lm/w B 150lm/w



Parameters

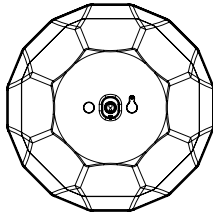
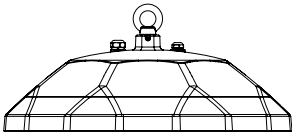
Model #	Size	Power	High Lumen			Extra High Lumen			Input voltage	CCT
			Efficacy	Lumen	CRI	Efficacy	Lumen	CRI		
NDF U80W	Φ17.08"*7.56"	80W	150LM/W	12000lm	>80	190LM/W	15200lm	AC100-277V/ AC100-347V/ AC277-480V	3000K 4000K 5000K 5700K	
NSFU100W		100W		15000lm			19000lm			
NSFU125W		125W		18750lm			23750lm			
NSFU150W		150W		22500lm			28500lm			
NSFU185W		185W		27750lm			35150lm			
NSFU200W		200W		30000lm			38000lm			

Optional Accessories



3/4"NPT Junction Box
USE:For Pendant installation
40PCS/Box

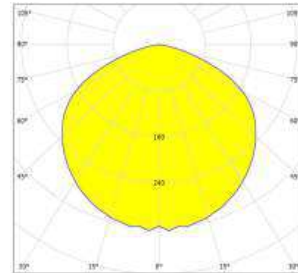
Dimension



	80W-200W
Outlook Dimensions	Φ17.08**7.56"

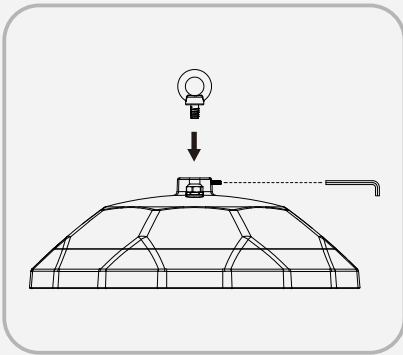
Photometric

115°

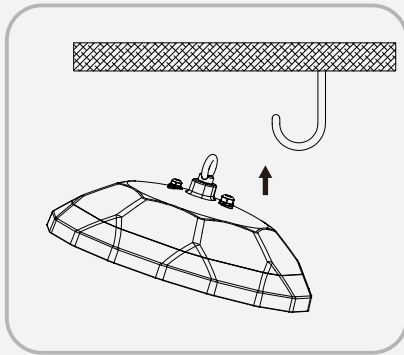


Installation

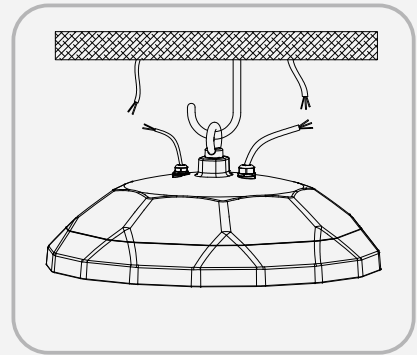
O hook installation



1. Fix the ring to the lamp (rotate clockwise),tighten the screw

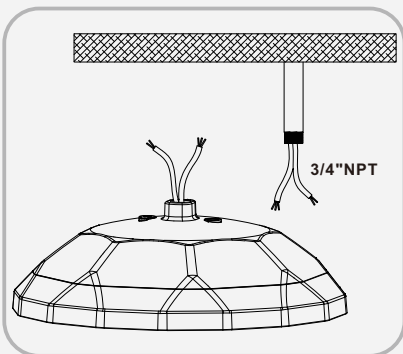


2. Put the ring into the mounting hook

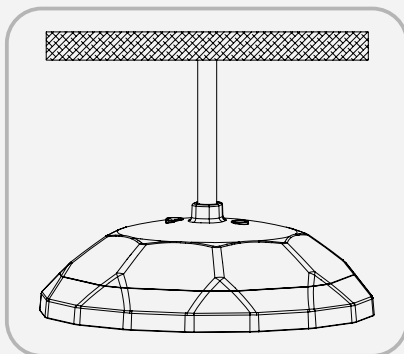


3. Wired as required under safety protection

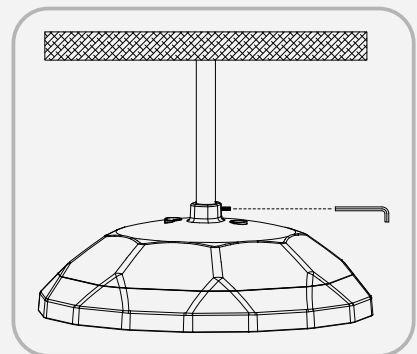
Pendant installation



1. Wired as required under safety protection

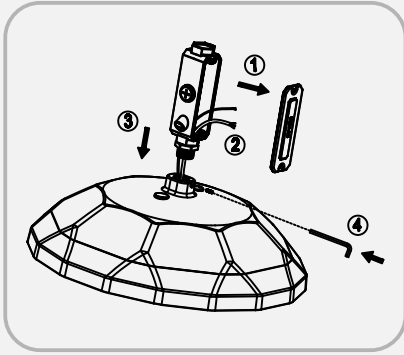


2. Rotate the lamp to the mounting pipe (rotate clockwise)

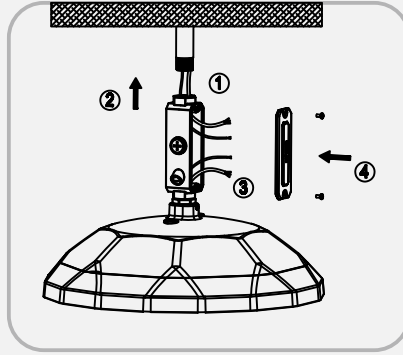


3. tighten the screw

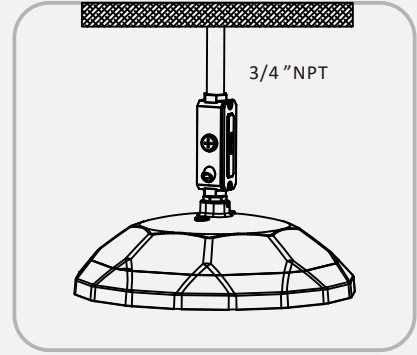
Pendant with junction box installation



1. Remove the cover, thread the wire into the junction box, and tighten the terminal box and set screw



2. Thread the wire into the junction box, install the junction box on the pipe, wire according to the requirements, take protective measures, and lock the cover



3. Installation effect

Safety Precaution

To reduce the risk of death, personal injury or property damage from fire, electric shock, falling parts, cuts/abrasions, and other hazards read all warnings and instructions included with and on the fixture box and all fixture labels.

Before installing, servicing, or performing routine maintenance upon this equipment, follow these general precautions.

Commercial installation, service and maintenance of luminaires should be performed by a qualified licensed electrician.

For The installation: If you are unsure about the installation or maintenance of the luminaires, consult a qualified licensed electrician and check your local electrical code.

To prevent wiring damage or abrasion, do not expose wiring to edges of sheet metal or other sharp objects.

Do not make or alter any open holes in an enclosure of wiring or electrical components during kit installation.

WARNING: RISK OF FIRE OR ELECTRICAL SHOCK

Turn off electrical power at fuse or circuit breaker box before wiring fixture to the power supply.

Turn off the power when you perform any maintenance.

Verify that supply voltage is correct by comparing it with the luminaire label information.

Make all electrical and grounded connections in accordance with the National Electrical Code and any applicable local code requirements.

All wiring connections should be capped with UL approved wire connectors.

CAUTION: RISK OF INJURY

Avoid direct eye exposure to the light source while it is on.

Account for small parts and destroy packing material, as these may be hazardous to children.