

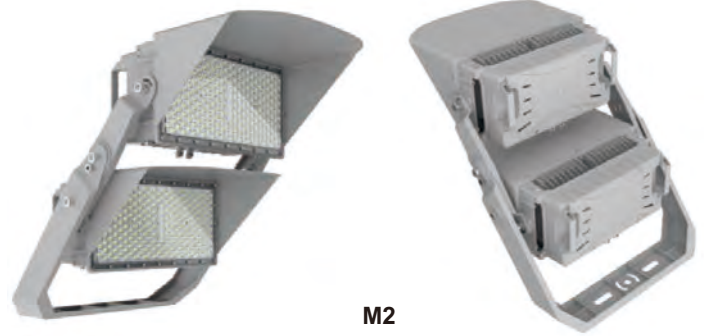
# M Series LED Sports Light



ValueEngineeredLighting  
ARCHITECTURAL LIGHTING PRODUCTS



M1



M2



for 400W/500W/650W/720W/800W/900W/1000W/1200W



for 1300W

**External Power Supply (optional)**



## Product Description

Designed by our own R&D team, M series LED sports light produces high brightness and enhanced glare-free illumination for specific venue to create bright and comfortable lighting. Wind resistance and IP66 rated for wet location make it ideal for outdoor large places such as stadium, dock, shipping yard, airport.

## Features

- RGB/RGBW optional
- External power supply optional
- Cold forging aluminum housing with polyester powder coated finish, excellent heat dissipation and corrosion resistance
- Laser aiming device (optional) provides precise control in angling and aiming to exact optimal position
- High-quality optical material and various light distribution angles deliver ideal illumination and visual comfort

## Compliance

UL  
DLC



## Application

- Sporting Facility
- Stadium
- Paper mills
- Container Loading Area
- Shipping Yard
- High Mast Roadway
- Airport
- Industrial Lighting
- Parking Lot
- Railway
- Port
- Public Square



## Warranty

5-Year Standard Warranty  
50,000 hours L70B50@35°C



## Technical Parameter

### • Electrical

Specification	SP-M1xxxW UXSQBZ	SP-M2xxxW UXSQBZ
Rated Power	400W/500W/650W	720W/800W/900W/1000W/1200W/1300W
Input Voltage	AC120-277V/120-347V/277-480V	AC120-277V/120-347V/277-480V
Input Frequency	50/60Hz	50/60Hz
Power Factor	0.95	0.95
THD	<15%	<15%
Power Supply	Driver Brand: Inventronics/Sosen; Built-in power supply (standard); External power supply (optional)	
Surge Protection	10kV (Standard) / 20kV (Optional)	10kV (Standard) / 20kV (Optional)

### • Optical

Specification	SP-M1xxxW UXSQBZ	SP-M2xxxW UXSQBZ
Lumen Output	60,000lm-97,500lm	108,000lm-195,000lm
Lumens Per Watt @Ra70	150lm/W	150lm/W
Beam Angle	15°/20°/30°/40°/60°/120°	15°/20°/30°/40°/60°/120°
LED Type	3737(for 15°)/5050/3030	3737(for 15°)/5050/3030
CCT	2700K/3000K/4000K/5000K/6000K/6500K/RGB(optional)/RGBW(optional)	
CRI	Ra70(Standard), Ra80(Optional)	Ra70(Standard), Ra80(Optional)
Dimming	0-10V Dimming	0-10V Dimming
Intelligent Control	ON/OFF (standard); DMX512/DALI (optional)	ON/OFF (standard); DMX512/DALI (optional)

### • Environmental

Specification	SP-M1xxxW UXSQBZ	SP-M2xxxW UXSQBZ
Ambient Operating Temperature	-40°C to 50°C (-40°F to 122°F)	-40°C to 50°C (-40°F to 122°F)

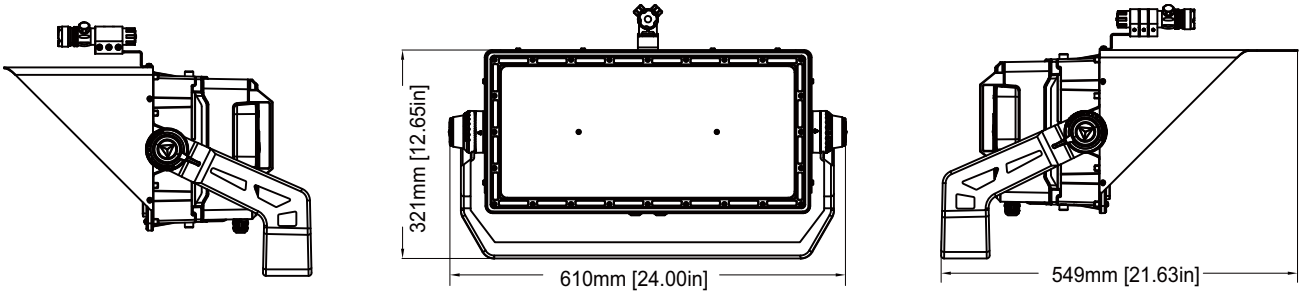
### • Mechanical

Specification	SP-M1xxxW UXSQBZ	SP-M2xxxW UXSQBZ
Housing Material	Die-cast Aluminum	Die-cast Aluminum
Lens Material	Anti-UV PC Optical Material	Anti-UV PC Optical Material
Protection	IP66/IK09	IP66/IK09
Mounting	Bracket	Bracket
EPA	1.68Ft²	3.27Ft²
Outlet Wire	Standard outlet length is 0.5-0.8 meters, and the outlet length can be customized	
Other Device	Laser Aiming Device (optional)	Laser Aiming Device (optional)

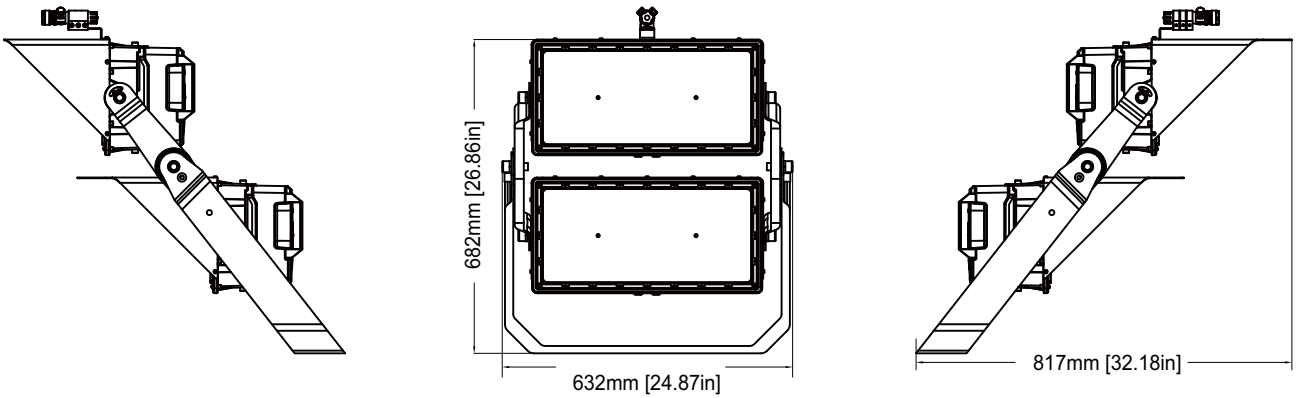
# Product Dimensions

Remark: Laser aiming device is optional.

## M1

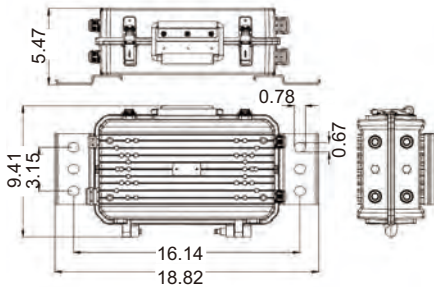


## M2

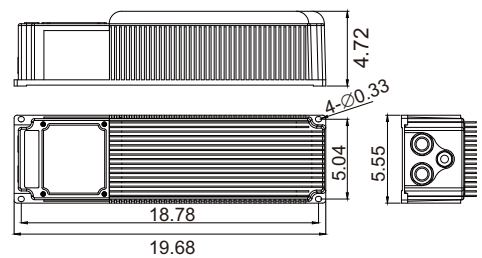


## External Power Supply (in Inches)

for 400W/500W/650W/720W/800W/900W/1000W/1200W:



for 1300W:

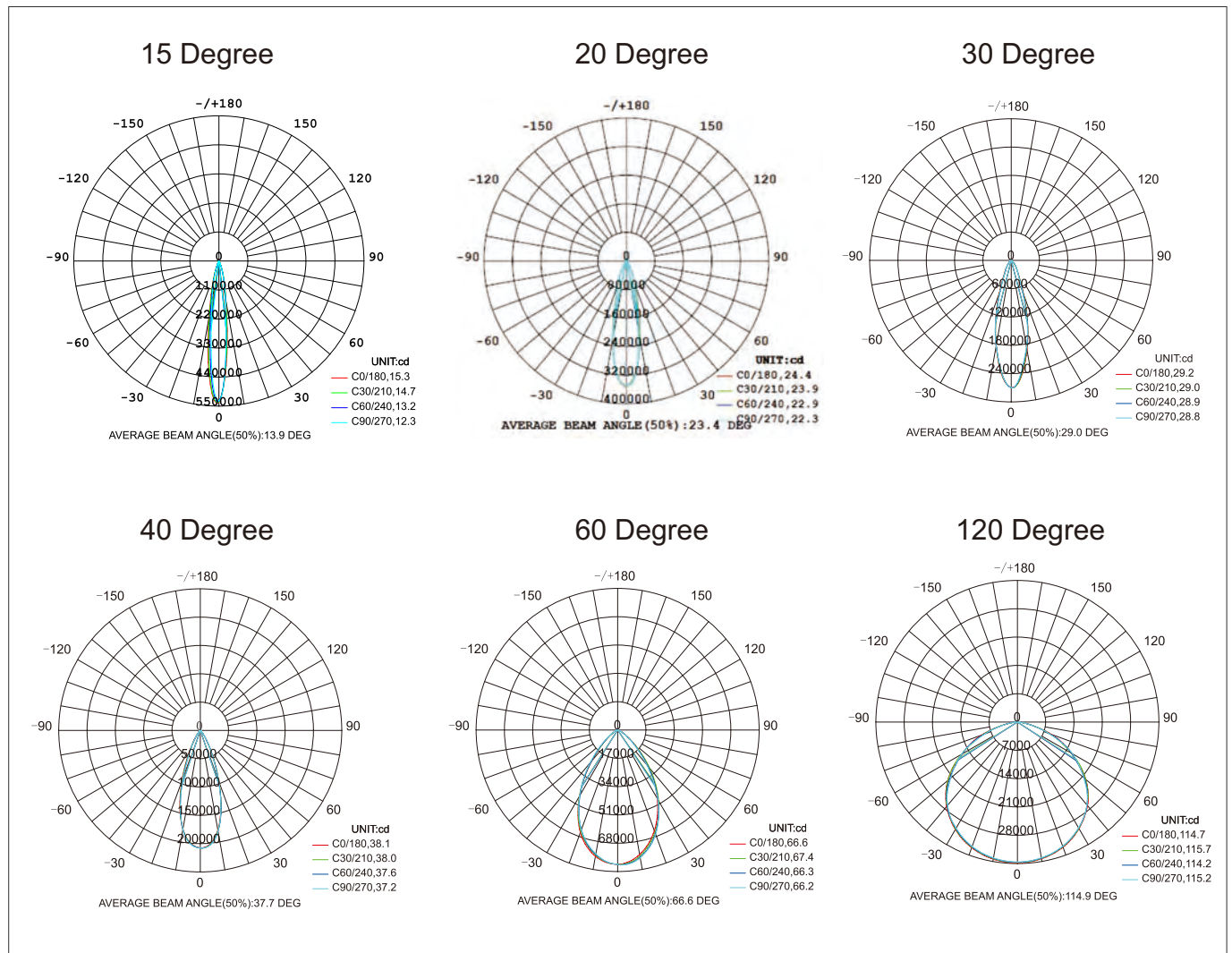


● Packing Information

Model	Net Weight (Product)	Quantity/Carton	Gross Weight	Package Dimensions (LxWxH)
SP-M1xxxW UXSQBZ	18.3kg (40.34lb)	1 pc	20.5kg (45.19lb)	25.79x15.55x13.97inch*
SP-M2xxxW UXSQBZ	31.5kg (69.44lb)	1 pc	34.5kg (76.06lb)	33.66x27.56x13.78inch*
External Power Supply (for 400/500/650/720/800/ 900/1000/1200W)	6.6kg (14.55lb)	1 pc	7.8kg (17.19lb)	21.06x12.79x8.27inch
External Power Supply (for 1300W)	6.1kg (13.45lb)	1 pc	7.0kg (15.43lb)	21.65x7.48x6.69inch

\* The package dimensions are the same for the luminaire M1/M2 with built-in power supply and with external power supply.

Photometric



## Ordering Guide

SP - Mx xxxW U X S Q B Z

1
2
3
4
5
6
7
8
9

1. Product Category	2. Product Series	3. Wattage	4. Color Temperature	5. Dimming Function
SP: Sports Light	Can be: M1/M2	M1: 400/500/650W M2: 720/800/900/ 1000/1200/1300W	27=2700K, 30=3000K, 40=4000K, 50=5000K, 60=6000K, 65=6500K	D: Dimmable N: Non-dimmable

6. Beam Angle	7. Sensor	8. Remote Driver Box	9. Input Voltage
15=15°, 20 =20°, 30=30°, 40=40°, 60=60°, 120=120°	Q can be N, represents without sensor	B can be: G: with remote driver box Blank: without remote driver box	Z can be: A: 120-277VAC, E: 277-480VAC F: 200-480VAC, G: 120-347VAC H: 220-400VAC