



LED Linear High Bay

Product Features

- Dimmable and compact product made of galvanized steel housing and white electrostatic powder coat finish
- Ideal replacement of 4 or 6 lamp T5HO fluorescent highbay or HID highbay fixtures
- Cable, pendant and surface mounting options for various applications
- High lumen efficiency up to 130lm/W, DLC Premium Listed
- L70 lumen maintenance of 100,000 hours
- Suitable for damp locations
- Field installable battery backup unit or sensor
- Operating temperature -20°C to 45°C (-4°F to 113°F)
- 5 years warranty



Application

Warehouses, distribution centers, manufacturing facilities, big box retailers, and other industrial applications

Ordering Number Logic

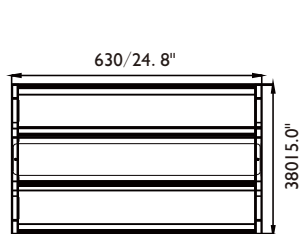
Typical order example: 92LHB01LED40--90W--Linear High Bay--Gen 1st--LED--4000K

Model Number	Name	Dimension	Watt	Lumen Output	CCT	Voltage	Beam Angle
90LHB01LEDXX	2F LHB	630x380x54.8	90W	11700lm	4000K/5000K	120-277V	110°
105LHB01LEDXX	2F LHB	630x380x54.8	105W	13650lm	4000K/5000K	120-277V	110°
135LHB01LEDXX	2F LHB	630x380x54.8	135W	17550lm	4000K/5000K	120-277V	110°
162LHB01LEDXX	2F LHB	630x380x54.8	162W	21060lm	4000K/5000K	120-277V	110°
178LHB01LEDXX	2F LHB	630x380x54.8	178W	23140lm	4000K/5000K	120-277V	110°
215LHB01LEDXX	2F LHB	630x480x54.8	215W	27950lm	4000K/5000K	120-277V	110°
265LHB01LEDXX	2F LHB	630x480x54.8	265W	34450lm	4000K/5000K	120-277V	110°
321LHB01LEDXX	4F LHB	1181x480x54.8	321W	41730lm	4000K/5000K	120-277V	110°
425LHB01LEDXX	4F LHB	1181x480x54.8	425W	55250lm	4000K/5000K	120-277V	110°

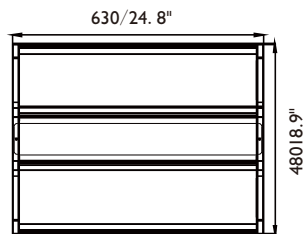
* Contact us for more wattage, CCT and special requirements.

Line drawings

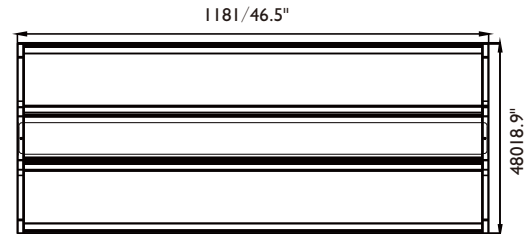
Unit:mm/inch



Wattage Range:105-162W



Wattage Range:215-223W

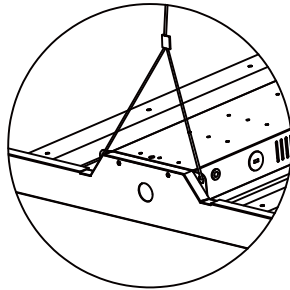
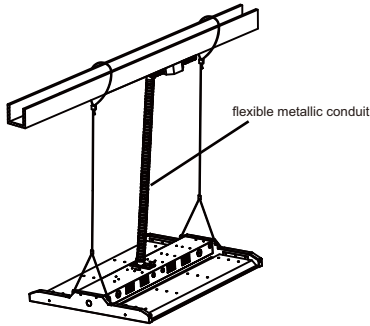


Wattage Range:321-425W

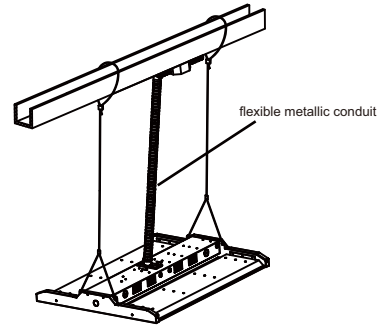
LED Linear High Bay

Installation Instruction

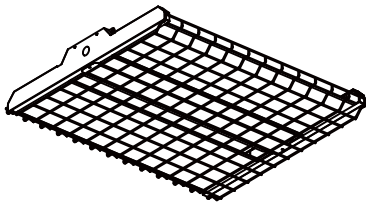
A: Cable Kit



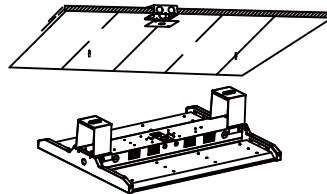
B: Chain Kit



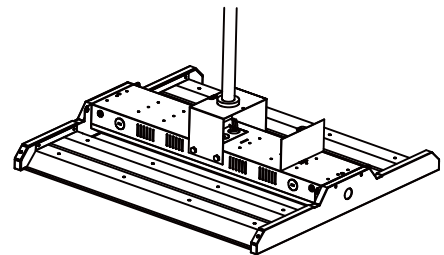
C: Wire Guards



D: Surface Mounting

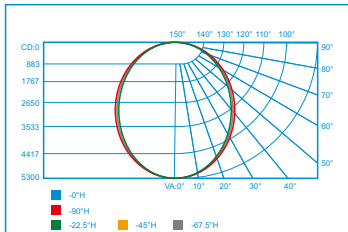


E: Pendant Hanger



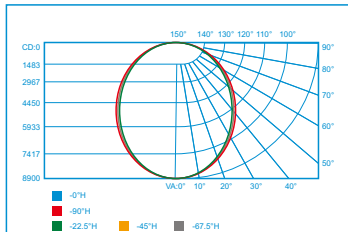
Polar Candela Distribution

(105LHB01LEDXX)



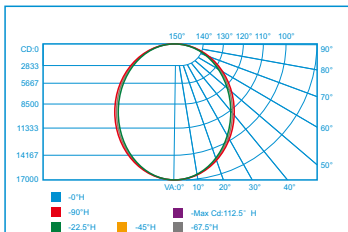
Zonal	Lumen	% Summary
0-30	4052.9	29.8%
0-40	6590.1	48.5%
0-60	11231.1	82.7%
60-90	2354.1	17.3%
70-100	895.2	6.6%
90-120	0	0%
0-90	13585.2	100%
90-180	0	0%
0-180	13585.2	100%

(178LHB01LEDXX)



Zonal	Lumen	% Summary
0-30	6876.5	30%
0-40	11177.3	48.7%
0-60	18999.4	82.8%
60-90	3948.9	17.2%
70-100	1512.6	6.6%
90-120	0	0%
0-90	22948.3	100%
90-180	0	0%
0-180	22948.3	100%

(265LHB01LEDXX)



Zonal	Lumen	% Summary
0-30	12481.3	29.5%
0-40	20295.5	48%
0-60	34640.0	82%
60-90	7410.2	17.5%
70-100	2865.5	6.8%
90-120	37.2	0.1%
0-90	42050.2	99.5%
90-180	211.5	0.5%
0-180	42261.7	100%