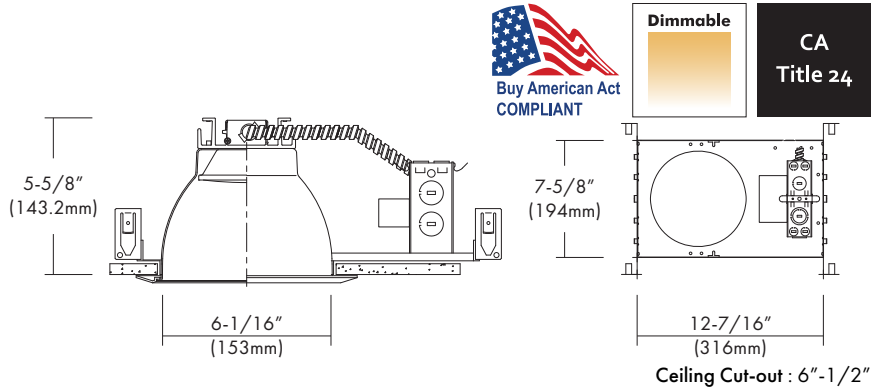


# LEDVH-CFK6-G2

120V-277VAC LED 6", Non-IC, Commercial Flat Frame-in Kit  
Down Light with interchangeable Reflector Trims



## 6" LED Commercial Flat Frame-in Kit



### DESCRIPTION

The LEDVH-CFK6-G2 is a 6" LED, Non-IC Commercial Flat Frame-in Kit and is available with multiple Trim styles. Designed for use in non-insulated ceilings, Insulation material must be kept a minimum of 3" from fixture. Available with a 10W, 14W, 22W, 32W or 44W high efficacy LED engine and universal, dimmable drivers. The special optical diffuser produces high lumen transmission and even illumination. Suitable for Wet Locations.

### DESIGN FEATURES

#### Mounting Frame

- Galvanized steel construction.
- Housing adjusts for ceilings up to 1-1/4" thick.

#### LED Module & Trim

- Painted, extruded aluminum heat sink designed to facilitate efficient heat dissipation for superior thermal management and reliability.
- LED engine includes LED, heat sink and lens assembly.
- Heavy gauge aluminum reflector anodized in clear haze or white paint finishes. Multiple trim styles and finishes are available.

#### LED Driver

- Universal, 120~277V input, high efficacy drivers with dimming capability by ① a Triac 120V low voltage electronic dimmer switches or ② 0-10V, Triac & ELV dimmer switches.
- Drivers feature power factor >.90, THD <20% with integral thermal protection to sense over temperature or electrical issues.
- Driver mounts externally to the module to allow future replacement or upgrading if desired.
- Optional Lutron Hi-lume A-Series, LED drivers and EcoSystem 5-Series LED drivers are available. Lutron drivers provide flicker-free, smooth, continuous dimming down to 1% for Hi-lume and 5% for EcoSystem. (Contact factory for dimming system requirements)

#### Junction Box

- Listed for through branch circuit wiring. (Max.8 No 12 AWG 90°C branch circuit conductors: 4 in, 4 out)
- (5) 1/2" knockouts with pry-out slots and (4) knockouts with Romex cable clamps.
- Ground wire provided on J-box.

#### Bar Hangers

- 24" Bar Hangers provide stability and support on joists and T-Bar Grid ceilings.
- Housing can be positioned at any point within 24" joist spacing.
- Score lines allow easy "bend & snap-off" shortening for 12" joist spacing.

#### Options

- Emergency battery back-up : Available in mounted to fixture or remote, adjacent to luminaire (consult with factory for space requirements).

#### Limited Warranty

- LED Module: 5 years/50K hours
- Product/Driver: 3 years

#### Listing

- cETLus Wet Location
- California Title 24

SPECIFICATION					
Input Voltage	120-277VAC				
Wattage (+/-5%)	10W	14W	22W	32W	44W
Lumen (+/-5%)	1,000lm	1,400lm	2,200lm	3,200lm	4,400lm
Efficacy (LPW)	100lm/W	100lm/W	100lm/W	100lm/W	100lm/W
Beam Angle	67.7°	75°	75.5°	77°	77°
CRI (Typical)	80, 90				
CCT (Color +/-5%)	2700K, 3000K, 3500K, 4000K				
Available Dimming	Triac/ ELV/ 0-10V/ DALI/ Lutron				
LED Module	5 yr/50K hr				
Environment	Damp & Wet Location				

Triac Approved Dimmers
* Lutron: NovaT (Ntelv 300&600) Diva (Dvelv-300P&303P)
* Leviton: Acenti: Ate06-1Lw
* Leviton Trimatron #705W (incandescent)
0-10V Approved Dimmers
* Lutron: Nova® 0-10V : NTFTV Diva® 0-10V : DDTV
* Leviton: Decora 0-10V : IP710DL
<b>Consult tech. service or factory for additional dimmers</b>

* Provided: Easy-quick connector case (patent pending)

## TRIM



- \*All trims are rated for damp location and regressed lens trims are wet location listed.  
 \*Wide beam reflector is standard. Also available narrow beam in reflector(consult with factory).  
 \*LEDT-R641 & LEDT-R622 are suitable and rated for shower location.

## Ordering Information

### Model

LEDVH-CFK6-G2 = 6", Non-IC, Commercial  
 Flat Frame-in Down Light Kit

### -Watts

-10 = 10W (UZTD & UTMD Driver Only)  
 -14 = 14W  
 -22 = 22W  
 -32 = 32W  
 -44 = 44W

### -CRI

-8 = 80  
 -9 = 90

### Color Temp. \*\*

27 = 2700K  
 30 = 3000K  
 35 = 3500K  
 40 = 4000K

### Driver\*

UTD = 120~277VAC, Triac/ELV Dimming  
 (14, 22 & 32W Only)  
 UZTD = 120~277VAC, 0~10V Dimming  
 (10, 14, 22, & 32W Only)  
 UTMD = 120~277VAC, Tri-Mode(0~10V/Triac/ELV)  
 Dimming (10,14, 22, 32 & 44W)  
 LDE1 = LUTRON. Hi-lume 1% EcoSystem FadeToBlack  
 LTE = LUTRON. Hi-lume 1% 2-Wire Dimming  
 PEQ01 = LUTRON. Hi-lume Premier 0.1% EcoSystem  
 FadeToBlack (For 23W or less only)  
 UDALI = Universal DALI Dimming to 1%

\*Option : Emergency

-EM = Emergency Battery Backup with Remote  
 Test Switch  
 -IEM = Integral Emergency Battery Backup

### Trim

LEDT-R64  
 LEDT-R614  
 LEDT-R641  
 LEDT-R622  
 LEDT-R636  
 LEDT-R640  
 LEDT-R650

\*Option :

-LEDT-6SR = Sloped Ceiling Adaptor

### -Reflector Finish\*\*

-HC = Haze Clear  
 -WH = White Painted

### Baffle Finish for LEDT-R614 & R641

-WH = White  
 -BK = Black

### Optional Metal Trim Ring Finish

-WH = White Plastic Trim Ring (Standard)  
 -WMR = White Metal Ring  
 -SN = Satin Nickel  
 -CH = Chrome  
 -SF = Polished Self-Flange (for Open or  
 Wall Wash Reflectors ONLY)

\*\* Consult factory for other Color Temperatures and Finishes