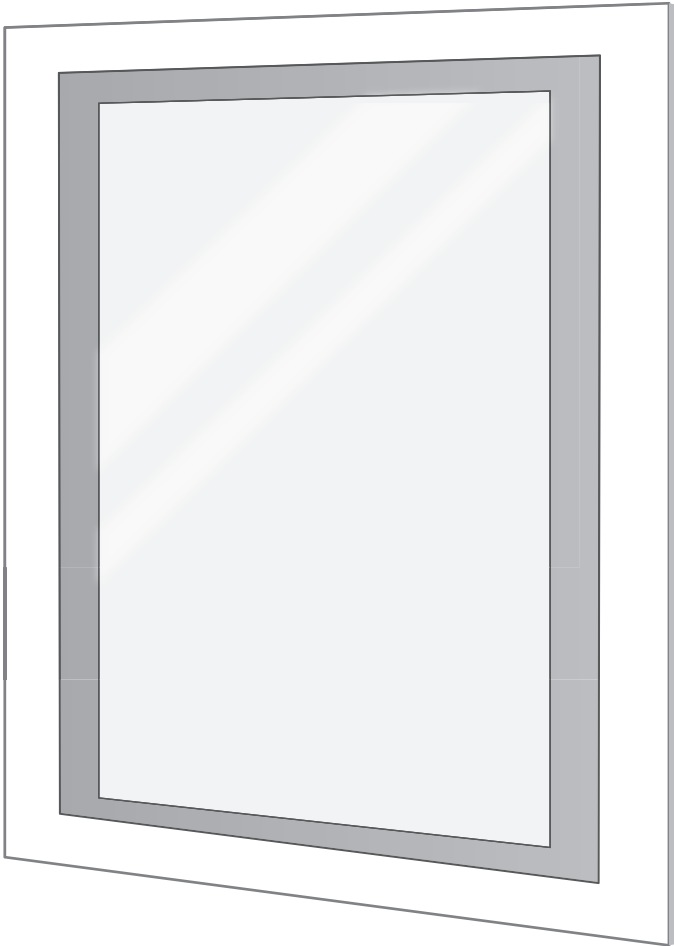
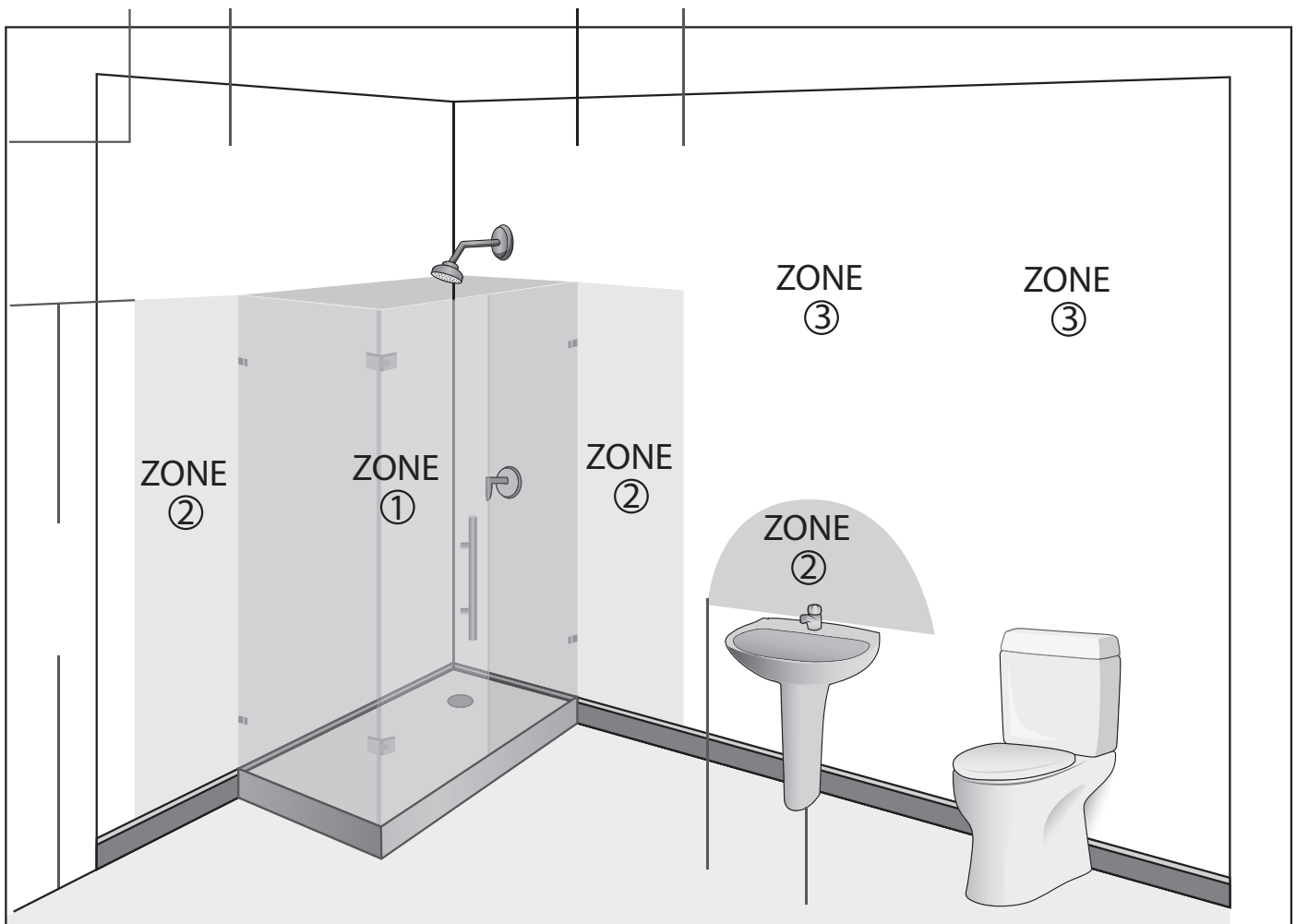


Bathroom Mirror Installation & User Guide



WARNING:

- All fittings must be installed in accordance with current IEE wiring regulations. If in doubt, consult a qualified electrician.
- Switch off the electrical supply at the main circuit board BEFORE installation and maintenance.
- Suitable for Bathroom Zones 2, 3 and non bathroom/dry areas. See diagram below.
- NOT suitable for above baths or Zone 1 nor for installation in Saunas, Steam Rooms or Shower Cubicles.
- DO NOT connect to a plug and socket outlet. Suitable for indoor use only.
- Do not fix to damp or conductive surfaces .
- Site well away from curtains and fabrics.
- Never cover the mirror.
- Switch off after use



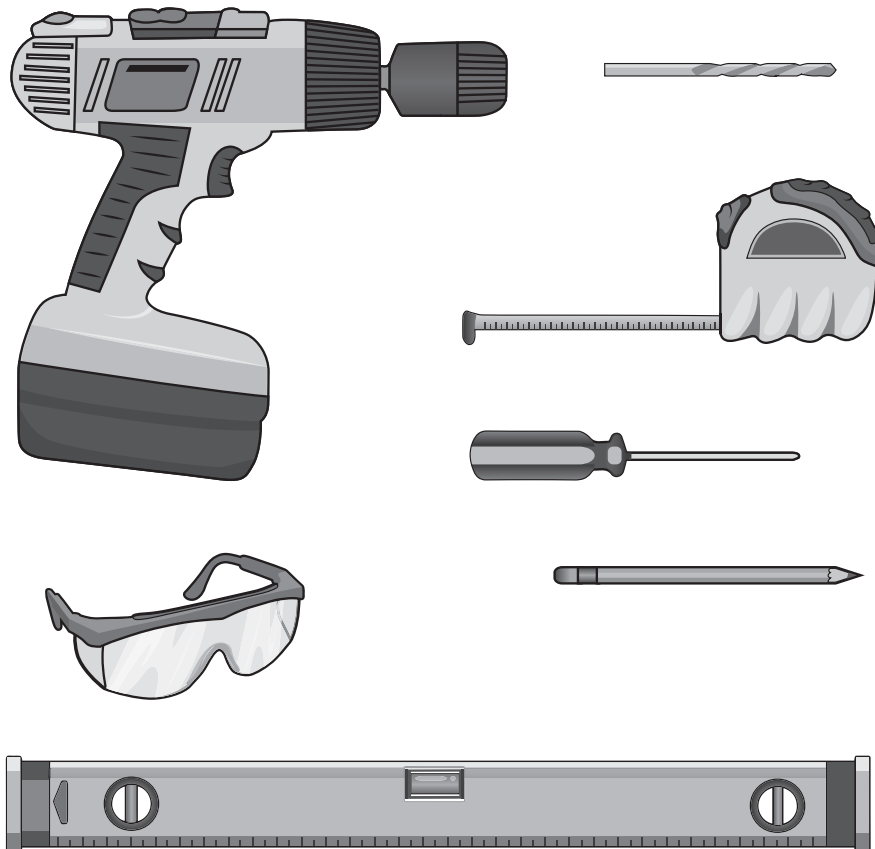
IMPORTANT—BEFORE YOU BEGIN

- Inspect the product immediately upon receipt for transit damage or missing parts.
- Handle the product with care and protect against knocks to all sides and edges of the glass.
- Make sure that you have all the tools you need to complete the job (SEE BELOW)
- Ensure there are no hidden pipes or cables in the wall before drilling.
- If drilling holes in ceramic tiles use a piece of masking tape on the tile to stop the drill bit from slipping.

Aftercare Instructions

- Clean using a soft dry cloth only when turned off.
- **Never use cleaning agents or abrasive materials.**
- Do not allow moisture to come into contact with lamps.

TOOLS USED



ELECTRICAL WIRE INFORMATION

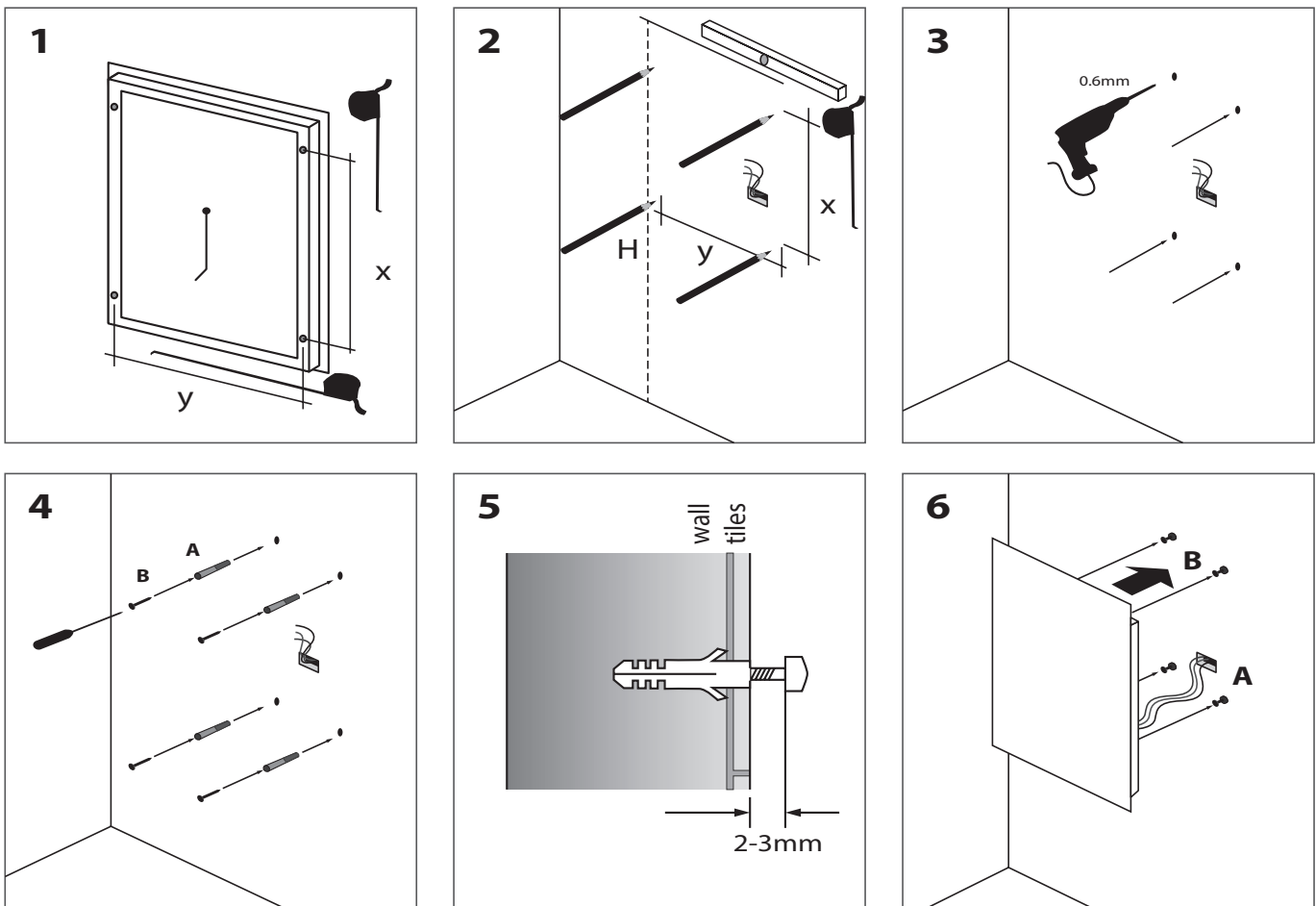
ELECTRICAL CONNECTION

The LED Driver inside the enclosed Icon mirror has already converted the electric to 110 volts. You can connect the wires that are coming out of the center of the back of the mirror directly to your electrical connection box. The lead contains 3 wires:

- Copper Wire (Green) = GROUND wire.... connect to ground wire in your box, or to the box as a ground.
- White (or can be Brown) = NEUTRAL wire.... connect to the White neutral wire in your box.
- Black (or can be Blue) = HOT wire.... connect to the Black hot wire in your box.

The Icon wires get connected to your 110 Volt electric box that you should have placed in the wall, behind where your Icon Mirror will be mounted. It doesn't have to be exactly in the center as the lead wire gives you flexibility in the placement. However we suggest you place it somewhere towards the center.

INSTALLATION GUIDE



LIMITED LIFETIME WARRANTY

LED LIGHTED MIRROR

Subject to the terms and conditions specified herein, We hereby extends a limited lifetime warranty (this “Limited Warranty”) to original Purchasers (as defined below) of the LED Lighted Mirror (the “Product”) with respect to certain specified structural components of the Product. Specifically, we, by this Limited Warranty, warrants that, for the durations specified herein, Products purchased directly from us or our authorized retailers will be free of defects in the material and workmanship of the Product’s electrical components, glass and mirrors, which defects would cause the Product to substantially fail to function when subject to normal use.

A. Who is Covered?

This Limited Warranty covers only the original purchaser of the Product on the Purchase Date (as defined below), or, in the event the Product was purchased as a gift, the owner of the Product who is the primary operator and user of the Product after the Purchase Date (the “Purchaser”).

This Limited Warranty only covers Purchasers who use the Product in their residence and/or for private/non-commercial purposes. For commercial purchasers, please refer to our Limited One-Year Commercial Warranty.

This Limited Warranty is not transferable to subsequent owners or subsequent purchasers of the Product. This Limited Warranty is only available to Purchasers who purchased the Product from us and its authorized retailers.

B. What is Covered?

This Limited Warranty only covers defects in materials and workmanship of the Product’s electrical components, glass and mirrors. In turn, a defect for the purposes of this Limited Warranty shall mean that the Product has a defect in material or workmanship with respect to its electrical components, glass or mirrors such that the Product substantially fails to perform when put to normal use.

C. Duration of Coverage

This Limited Warranty applies as of the date of purchase, as indicated on the Purchaser’s invoice received at the time of the first purchase of the Product from us or our authorized retailers of the Product (the “Purchase Date”).

This Limited Warranty applies to the Product’s components for the following durations:

- The Product’s electrical components, namely, the LED strip and driver, have a lifetime of 50,000 (fifty thousand) hours. As such, with respect to such electrical components, this Limited Warranty is available to original Purchasers from the Purchase Date to the earlier of (i) 50,000 hours; (ii) 30 years after the Purchase Date; or (iii) when the product’s electrical components become unusable for reasons other than defects in workmanship or material.
- This warranty covers the glass on the Product’s mirror from the Purchase Date to the earlier of (i) the Purchaser’s lifetime or (ii) the duration of the Purchaser’s ownership of the Product.
- With respect to all components, coverage under this Limited Warranty ends when the first Purchaser transfers the Product to another party.

D. What is Not Covered?

This Limited Warranty shall only apply if the Product has only been subject to normal use and service. Note that normal use of the Product is defined as daily use for 3-4 hours. As such, this Limited Warranty is void if the Purchaser or user does not comply with applicable instructions and recommendations for use, if the Product was damaged do to accident or misuse, or as a result of being subjected to short-term or long-term abnormal use or stress.

Specifically, this Limited Warranty does NOT cover damage caused by, among others, the following:

- Misuse, neglect, alteration, or tampering of the Product;
- Deliberate destruction;
- Improper installation and set up;
- Delivery;
- Improper storage;
- Improper or irregular power supply;
- Improper voltage or electrical use;
- Exposure to excess water or very humid/damp conditions;
- Acts of God;
- Exposure to conditions beyond those of ordinary daily living such as operation in extreme temperatures;
- Accidents;
- Improper maintenance; and
- Use of cleaners containing abrasives, alcohol or other organic solvents, whether performed by a Purchaser, contractor, service company, or others.

We shall not be liable for damages, including special, incidental or consequential damages, arising out of or in connection with the performance of the Product. This Limited Warranty does not warrant that we will not discontinue the Product and exchange it for a new model or discontinue production of the Product entirely.

E. Remedy

If the Product is found to have defects in material and workmanship as covered by this Limited Warranty, we will, at its discretion, either (i) repair the defective Product or (ii) provide a free replacement of the Product or of any defective parts of the Product.

Any repaired or replaced Product will continue to be covered by this Limited Warranty for the remaining length of coverage available starting from the Purchase Date.

F. How to Make a Limited Warranty Claim

Should a problem be experienced with this Product within the coverage period provided by this Limited Warranty, and subject to the terms, conditions and limitations of this Limited Warranty, please contact the our Customer Service Department to determine the nature of the Product's failure and to establish an adequate solution.

If a return for repair is needed, returns must be made within 30 (thirty) business days of the return authorization that we will issue (the "Return Authorization") upon our determination that a return for repair is needed. If a return for replacement is needed, returns must be made within 30 (thirty) business days of the Return Authorization, and we will send a replacement Product upon receipt of the returned item. Returns should be made to the address that we will provide with the Return Authorization.

G. How State Law Applies

This Limited Warranty gives you specific legal rights, and you may also have other rights which vary from state to state. This limited lifetime warranty is our sole warranty for its led lighted mirror, and is in lieu of all other warranties and conditions whether written, oral, statutory, expressed or implied. We disclaims all other express or implied warranties and conditions, including the Implied warranties or conditions of merchantability, merchantability, and fitness for a particular purpose. To the extent that implied warranties are available by law, such implied warranties are limited to the length of coverage extended by this limited warranty. Some states do not allow limitations on how long an implied warranty lasts, so the above limitation may not apply to you.

In no event shall we be liable for any other costs or damages, including special, incidental or consequential damages, arising out of or in connection with the performance of the product. Some states do not allow the exclusion or limitation of incidental or consequential damages, so the above limitation or exclusion may not apply to you.