

# Series L24R-MRI Linear LED MRI Light



**ValueEngineeredLighting**  
ARCHITECTURAL LIGHTING PRODUCTS

**L24R-MRI** is a recessed LED linear fixture, design with quality craftsmanship. Engineered for quick and easy tool-less installation. The XDL series provides clean lines, smooth continuous runs, and tight lens fitment. Available in continuous runs and custom angles and lengths.



**RGBW:** This is available with RGBW as an option. RGBW capability allows the color to be changed by an addressable DMX decoder for DMX512 control (controller supplied by others). Tuneable white LED range of 2800K-6500K.

**CONSTRUCTION:** Constructed of a precision cut, proprietary aluminum extrusion with flat end caps. Internal joiner system. Available in any length with a 2' minimum.

**TOOL-LESS ENTRY:** LED Board tray clips in with quick release holders, and held on by tethers. Releasing the clips drops and holds the board tray, allowing quick, tool-less, and easy wiring of the fixture.

**MOUNTING:** Lay-in grid fixtures fit 9/16 and 15/16 standard T-grids. Flanged mounting and flangeless trim mounting options include innovative top mount bracket to support the fixture.

**REMOTE MOUNT POWER SUPPLY:** Remote mounted power supply ordered as separate line item. 0-10v dimming standard (not available with RGBW). EMI Filter required (supplied by others).

**LEDS:** High Output LEDs are available in 2700K, 3000K, 3500K, 4000K, and 5000K color temperatures. Integral LEDs are rated for at least 100K life hours (L70).

**OPTICS:** Snap-in satin acrylic lens fully diffuses the appearance of the LEDs and provides excellent light transmission.

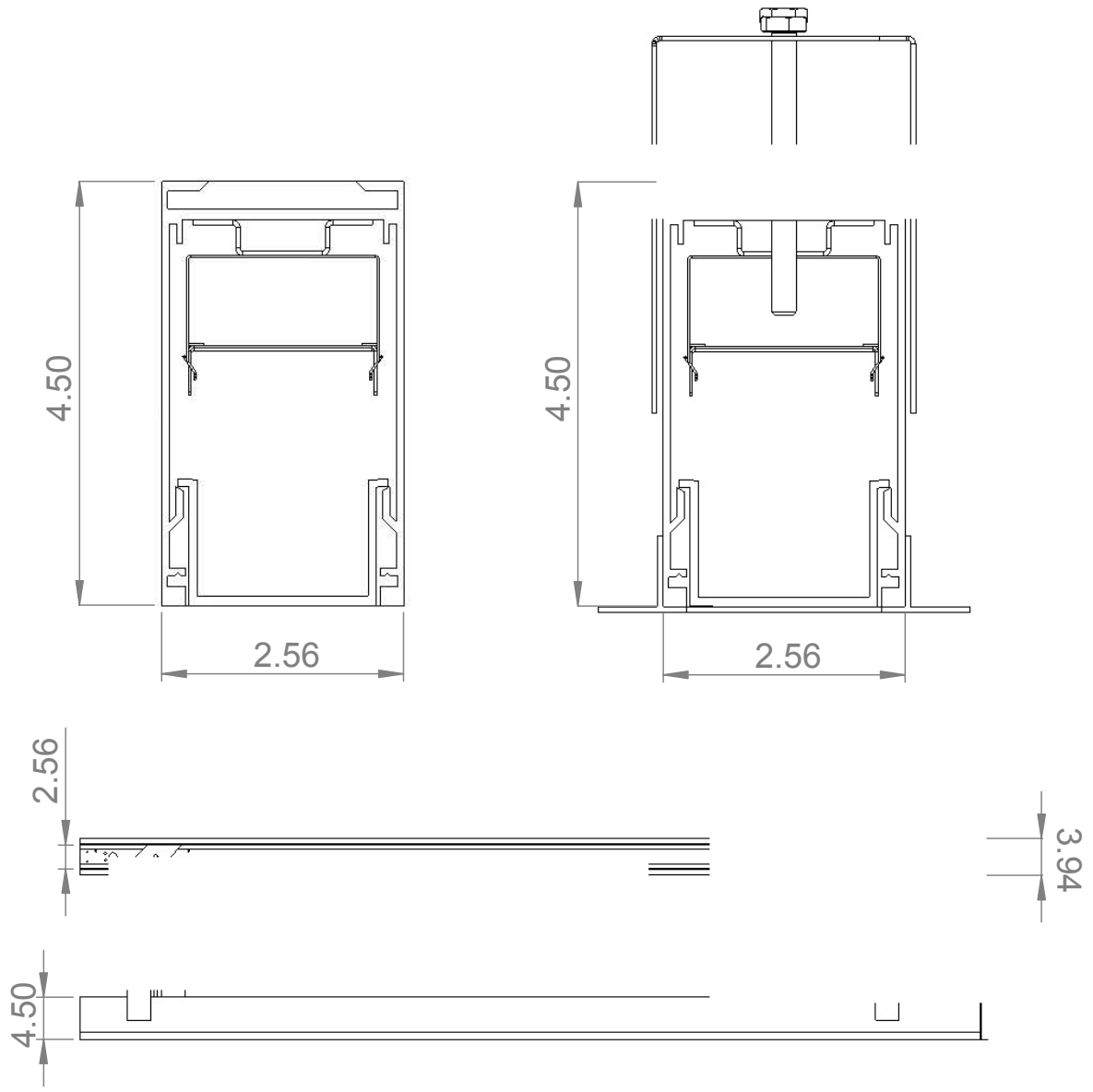
**DRIVER:** 0-10V dimming driver included standard. Driver options available for 1% dimming (not available on RGBW), Lutron EcoSystem, and DALI.

**FINISH:** Matte white finish standard. Custom finish options are available in various RAL colors.

**OPTIONS:** Various options are available. If hanging canopies are ordered, one power feed and one non-power feed per fixture should be ordered. If additional or custom options are needed, consult factory.

**WARRANTY:** 5-Year Limited Warranty. Complete warranty and terms located at [www.velighting.com](http://www.velighting.com)

# DIMENSIONS

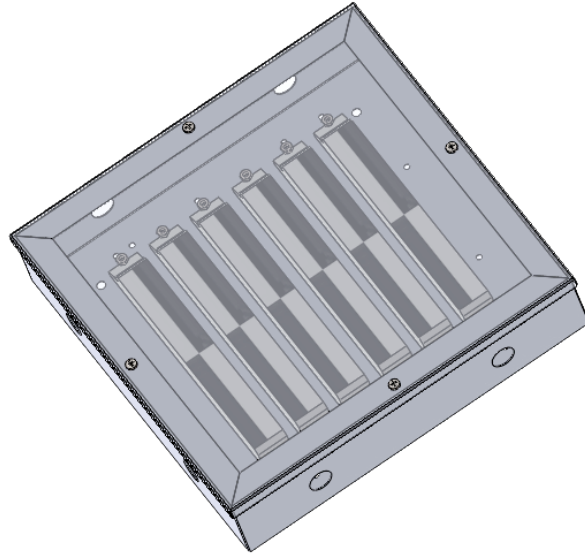


## REMOTE POWER BOX

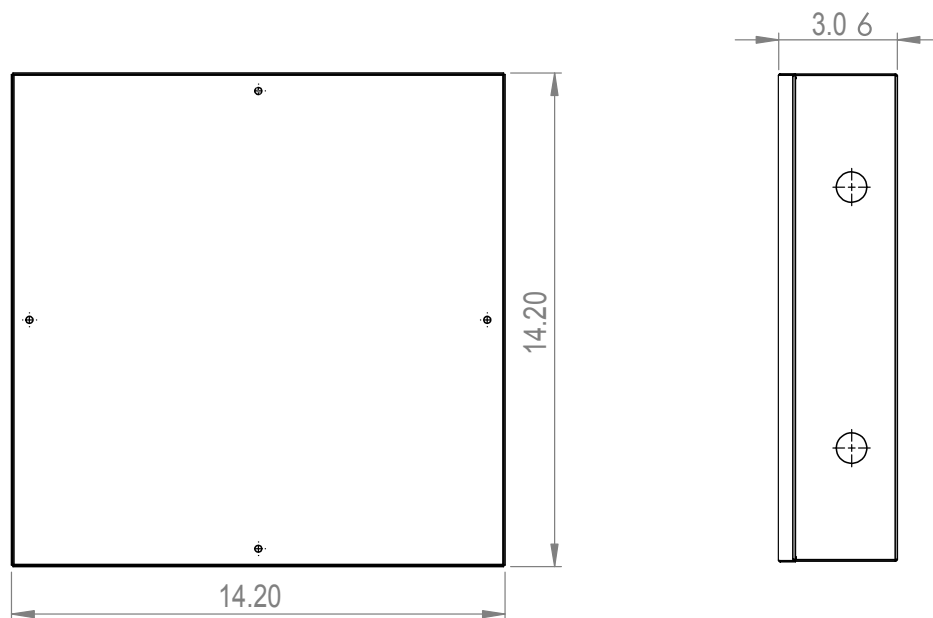
# RMB6

 (UP TO 6 DRIVERS)

# RMB9

 (UP TO 9 DRIVERS)

Electronic remote power supply provides power from outside the shielded MRI room, within the remote power supply enclosure.



### MOUNTING INSTRUCTIONS

1. Mount the remote mounted power supply outside the MRI room.
2. Each driver will have an individual quick-connect for ease of wiring.
3. Ensure that all power/dimming wiring is completely shielded in grounded conduit. Use a minimum of 18 AWG low voltage supply wire.
4. Connect wiring to the driver and run to the installed fixtures. Connect hot and neutral wires to the light fixtures quick connects.
5. Installation is complete.

**ORDERING INFORMATION. Example: L24R-MRI-35-7L-F-M-W-4-DALI**

SERIES	CCT	OUTPUT	MOUNTING	VOLTAGE	FINISH	LENGTH	DRIVER OPTIONS
L24R-MRI	27 2700K 30 3000K 35 3500K 40 4000K 50 5000K	5L 500 lm/ft 7L 700 lm/ft 10L 1000 lm/ft 14L 1400 lm/ft XXXL XXX lm/ft	L Lay-in Grid F Flanged FT Flangeless Trim	M Multi-Volt (120-277V)	W Matte White SP Special Finish	2 2 ft. 3 3 ft. 4 4 ft. 5 5 ft. 6 6 ft. 7 7 ft. 8 8 ft. XX XX ft.	(BLANK) 0-10V 10% dimming driver CD1 0-10V 1% dimming driver CD5 0-10V 5% dimming driver EDN Non-dimming electronic driver LDE1 Lutron Hi-Lume 1% EcoSystem LED Driver

**OPTIONS**

- 14EBL 14 Watt Emergency Ballast
- EC Emergency Circuit
- 90 90 CRI
- 90D 90 Degree Turn
- 90V 90 Degree Ceiling-to-Wall
- XXD XX Degree turn (90 to 60 degrees)
- DMX Addressable DMX Decoder for DMX512 Control (Controller Supplied by Others). Consult factory for requirements.

**REMOTE MOUNTED POWER SUPPLY Ordering Information (SEE LAST PAGE FOR DETAILS)**

SERIES	# OF FIXTURES PER DRIVER	# OF DRIVERS	OPTIONS
RMB6 Fits up to 6 drivers	1 1 Fixture per Driver	D1 1 LED 1% Dimming Drivers	AM Anti-Microbial White Paint
RBM9 Fits up to 9 drivers	2 2 Fixtures per Driver	D2 2 LED 1% Dimming Drivers	
	3 3 Fixtures per Driver	D3 3 LED 1% Dimming Drivers	
	4 4 Fixtures per Driver	D4 4 LED 1% Dimming Drivers	
	X X Fixtures per Driver	D5 5 LED 1% Dimming Drivers	
		D6 6 LED 1% Dimming Drivers	
		D7 7 LED 1% Dimming Drivers	
		D8 8 LED 1% Dimming Drivers	
		D9 9 LED 1% Dimming Drivers	

**LED Information**

Output	5L	7L	10L	14L
Lumens/Ft*	500	700	1000	1400
System Wattage/Ft	3.125W	4.375W	6.25W	8.75W
Efficacy (Lm/W)	160	160	160	160
CRI	>82	>82	>82	>82
Dimming	0-10V	0-10V	0-10V	0-10V
Color Consistency	>3 SDCM	>3 SDCM	>3 SDCM	>3 SDCM
Rated Life (L70)	>100,000 hrs	>100,000 hrs	>100,000 hrs	>100,000 hrs

\* Lumen output was calculated with 4000K LEDs.