

High Temperature HB Series



ValueEngineeredLighting
ARCHITECTURAL LIGHTING PRODUCTS



A1



A2



A4

Features:

High Temperature High Bay Light, which is applied to ambient high temperature working area where operation temperature may reach 158°F(70°C), such as steel plant, aluminum smelter, and other high-temperature, dust, corrosive gas environment.

The HB Series high heat resistant lights combine optical performance energy efficiency and outstanding versatility to meet the requirements of high temperature lighting applications in high-temperature, dust, corrosive gas environment, delivering a wide range of light outputs. The enclosure body is made of aluminum with corrosion-resistant coating which protects against overheating damage.



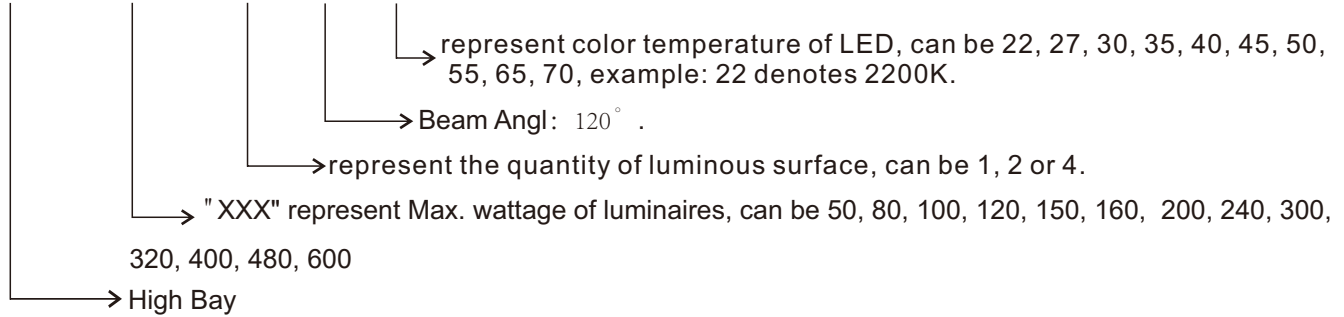
Specifications:

Model	HB-50W-A1D30 HB-50W-A1D40 HB-50W-A1D50 HB-80W-A1D30 HB-80W-A1D40 HB-80W-A1D50 HB-100W-A1D30 HB-100W-A1D40 HB-100W-A1D50 HB-120W-A1D30 HB-120W-A1D40 HB-120W-A1D50 HB-150W-A1D30 HB-150W-A1D40 HB-150W-A1D50	HB-100W-A2D30 HB-100W-A2D40 HB-100W-A2D50 HB-160W-A2D30 HB-160W-A2D40 HB-160W-A2D50 HB-200W-A2D30 HB-200W-A2D40 HB-200W-A2D50 HB-240W-A2D30 HB-240W-A2D40 HB-240W-A2D50 HB-300W-A2D30 HB-300W-A2D40 HB-300W-A2D50	HB-200W-A4D30 HB-200W-A4D40 HB-200W-A4D50 HB-320W-A4D30 HB-320W-A4D40 HB-320W-A4D50 HB-400W-A4D30 HB-400W-A4D40 HB-400W-A4D50 HB-480W-A4D30 HB-480W-A4D40 HB-480W-A4D50 HB-600W-A4D30 HB-600W-A4D40 HB-600W-A4D50
Power	50W/80W/100W/120W/150W	100W/160W/200W/240W/300W	200W/320W/400W/480W/600W
Voltage	AC120-277V /AC340-480V, 50/60Hz		
Efficiency	140lm/W	140lm/W	130lm/W
CRI	>70		
Beam Angle	120°		
CCT	3000K/4000K/5000K		
Aambient Temperature	-40°F to + 158°F(-40°C to +70°C)		
IP Rating	IP66 / IP67		
IK	IK09		

High Temperature HB Series

Ordering Guide

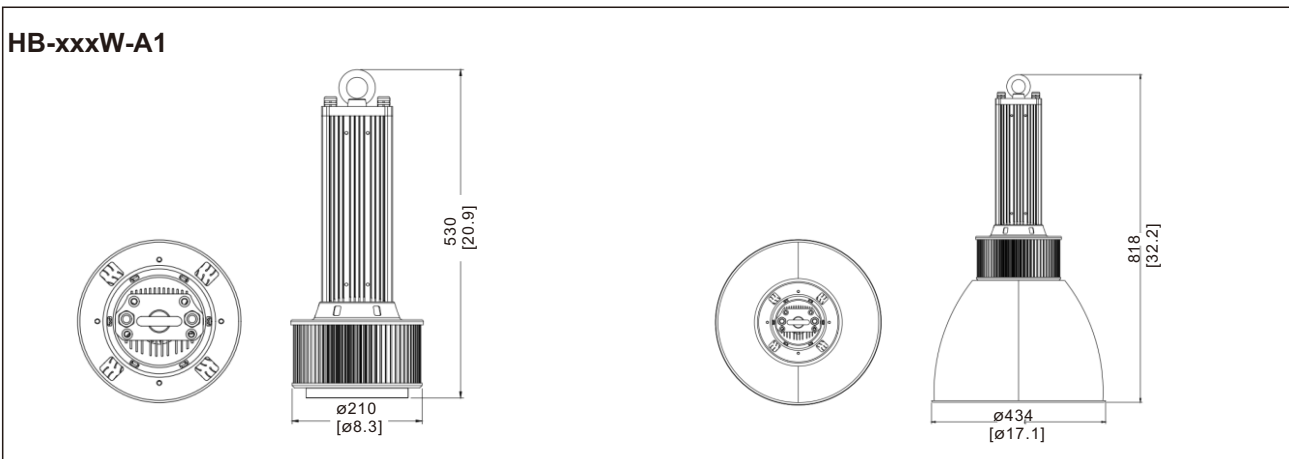
HB - xxxW - A* D Z



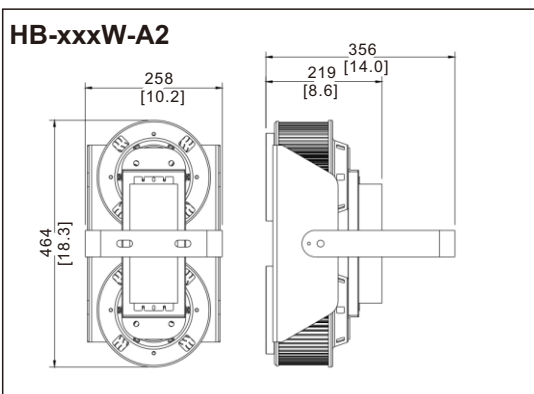
Dimension

Unit: mm or inch

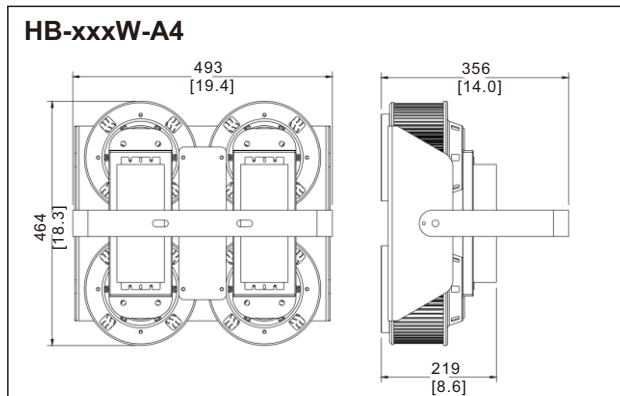
HB-xxxW-A1



HB-xxxW-A2

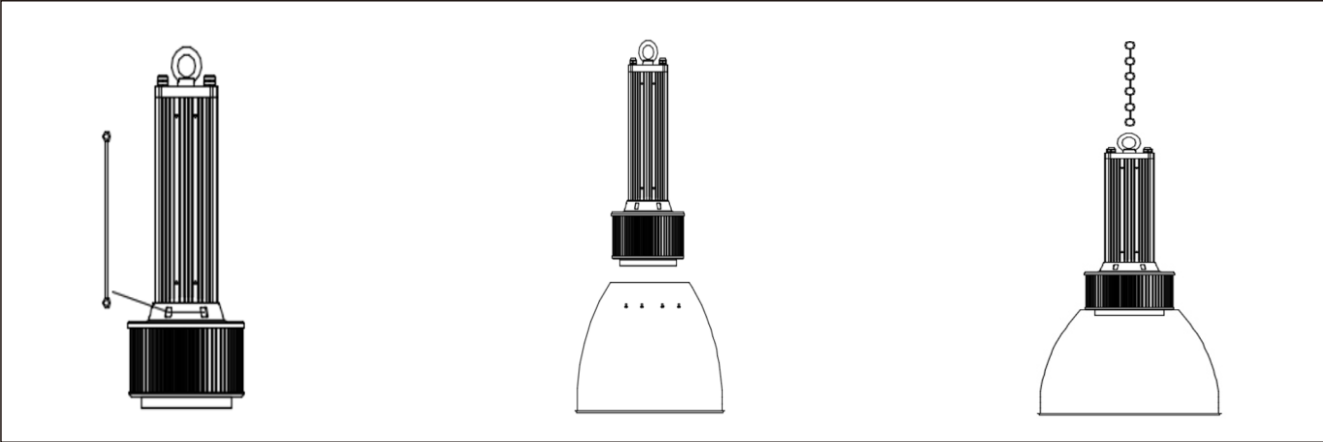


HB-xxxW-A4



Mounting Methods

No.1: Hook Pendant Mounting



No.2: Bracket Mounting

