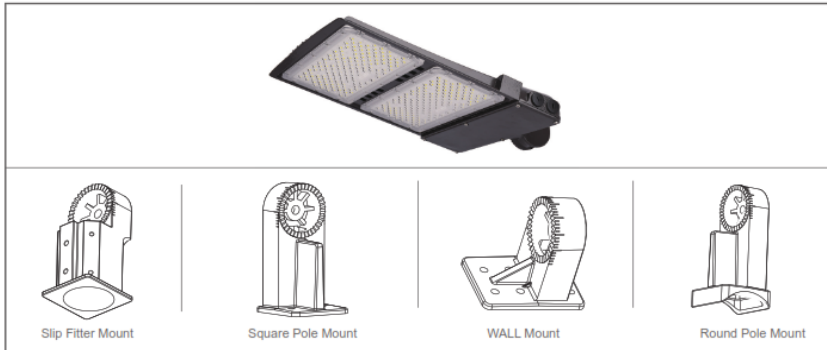


G6 Slim LED Area Light

Wattage and Color Temperature Adjustable



ValueEngineeredLighting
ARCHITECTURAL LIGHTING PRODUCTS



Specifications

Input Power	50W / 100W / 150W / 200W / 240W / 300W / Power Tunable
LED Chip	SMD 3030, Lumileds or other LED Chips
Driver Brand	PSD / ZHIHE / SOSEN or other Brand
Lumen	6500LM / 13000LM / 19500 LM / 26000LM / 31200LM / 39000LM
Input voltage	AC100-277V / AC120-347V / AC180-480V
Lumen Efficacy	130LM/W ~ 140LM/W
PF	>0.9
CCT	3000K / 4000K / 5000K / 5700K optional, 3CCT Switch
CRI	70/80
Mount	A / B2 / C2 / D2 / E2 / F2 / U-Bracket
Housing Color	Bronze / Black / Gray / White
SPD: 4KV (Normal)	10KV/20KV(Available)
Operating Temperature	-40°C to +45°C(-40°F to +113°F)
Storage Temperature	-20 C TO +60 C
Storage Humidity	10%-90% RH
Warranty Time	5years

Features



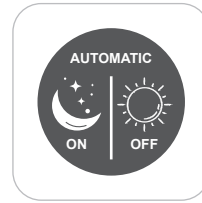
CCT Select



Power Select



Motion sensor

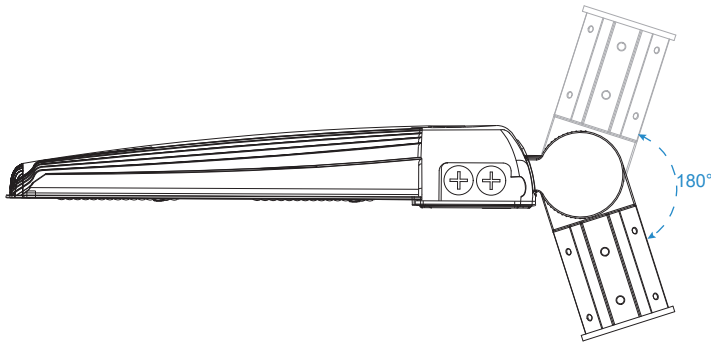


Photocell sensor

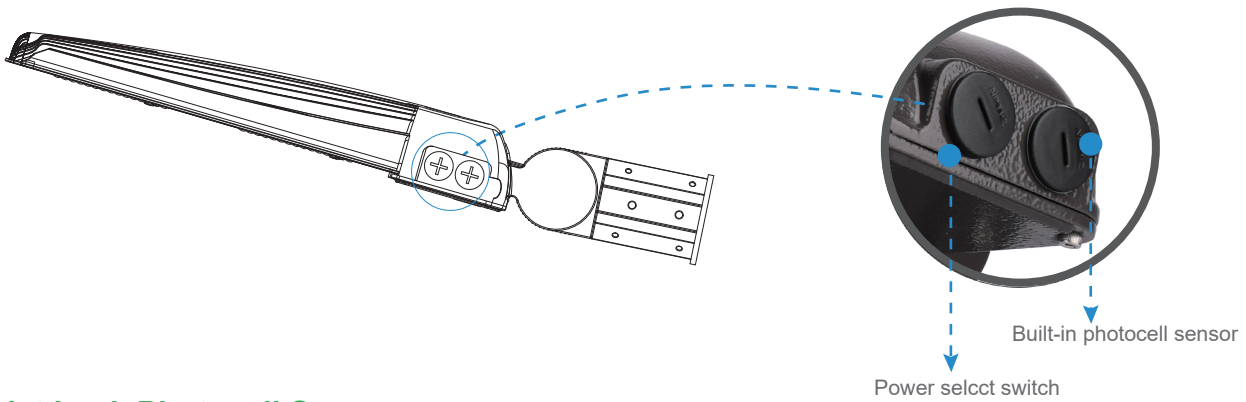


ADC12 Die casting

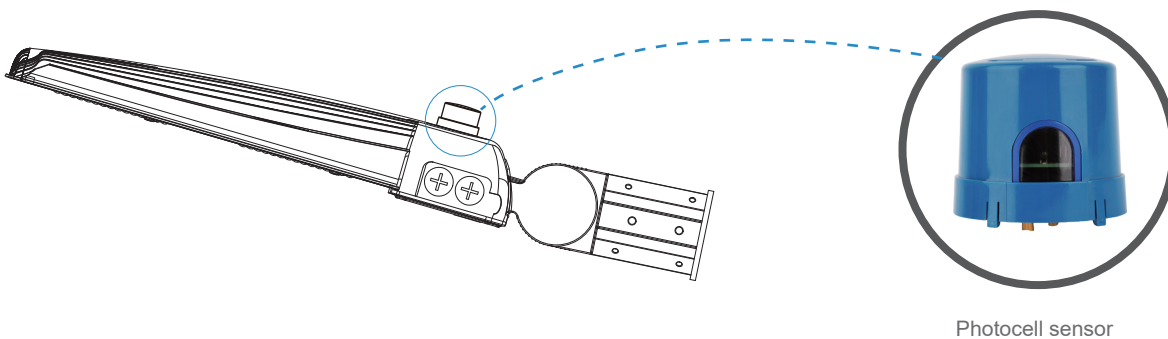
Bracket Angle 180° Adjustable



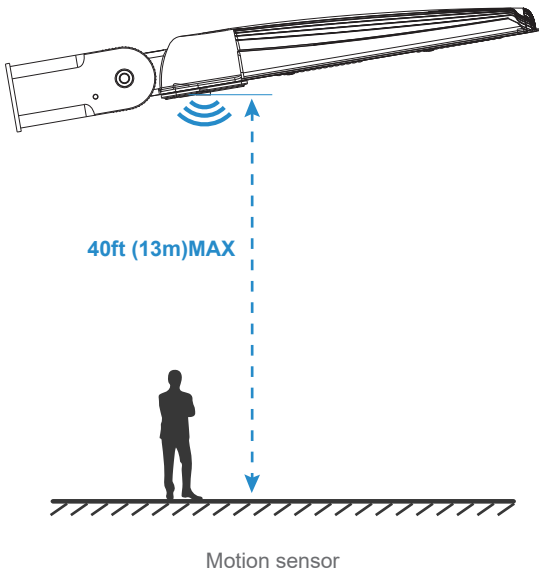
Built-in Photocell Optional



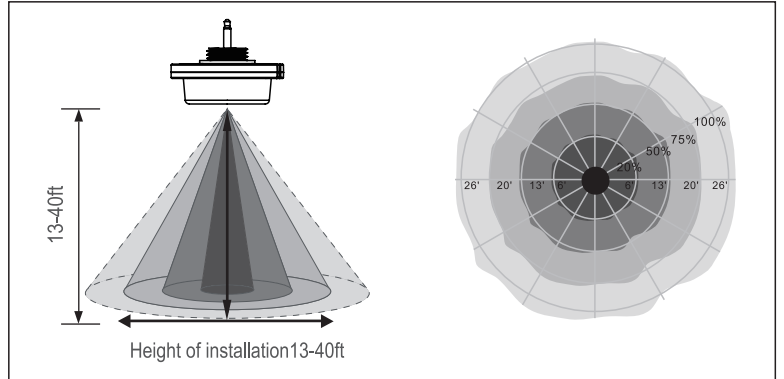
Twist Lock Photocell Sensor



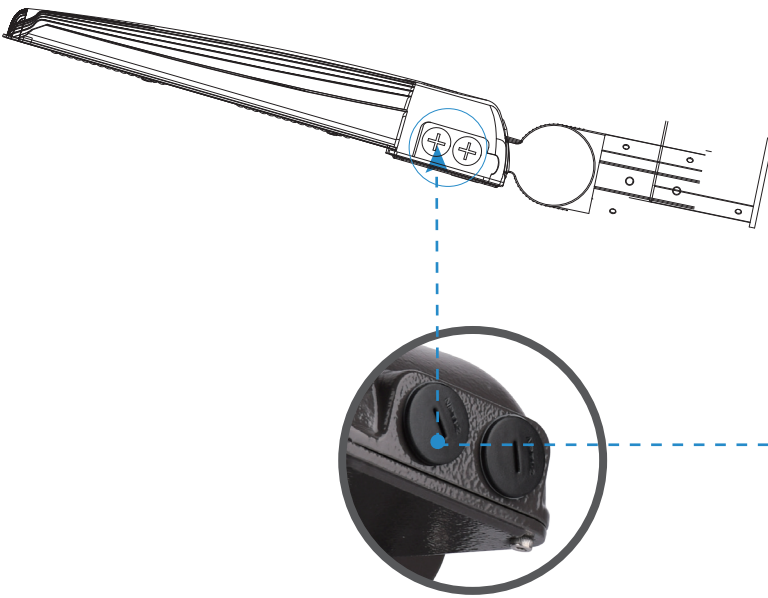
Bi-level Microwave Sensor Optional



SENSOR COVERAGE



DIP switch design, 3CCT / Wattage Switch



DIP Switch

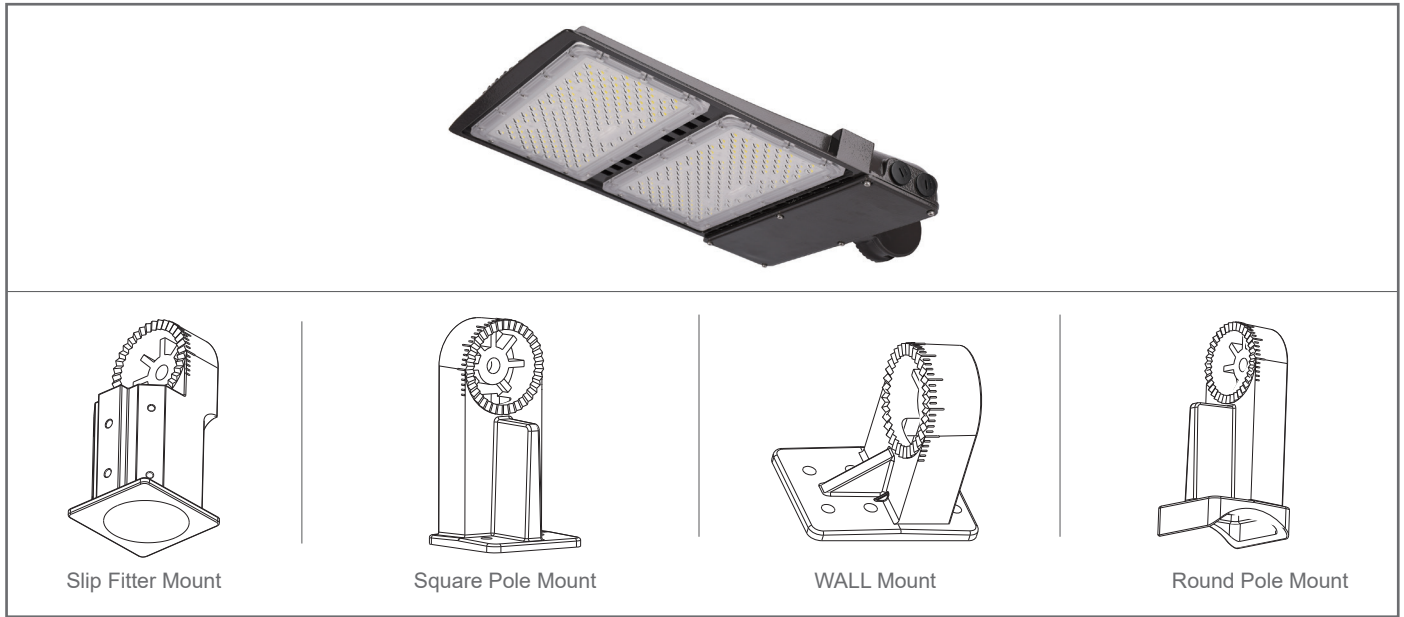
3000K 4000K 5000K

1	2	3
---	---	----------

200W 240W 300W

1	2	3
---	---	----------

Compatible With Different Mount Brackets



Applications



Shopping Centers



Auto Dealership



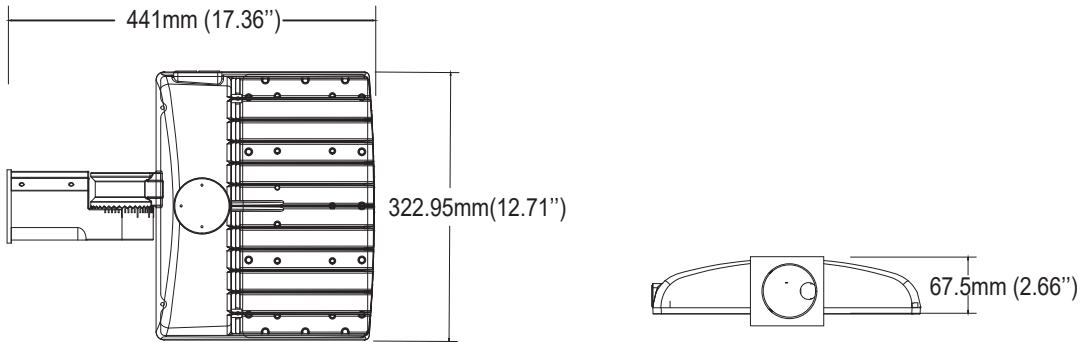
Sport Fields



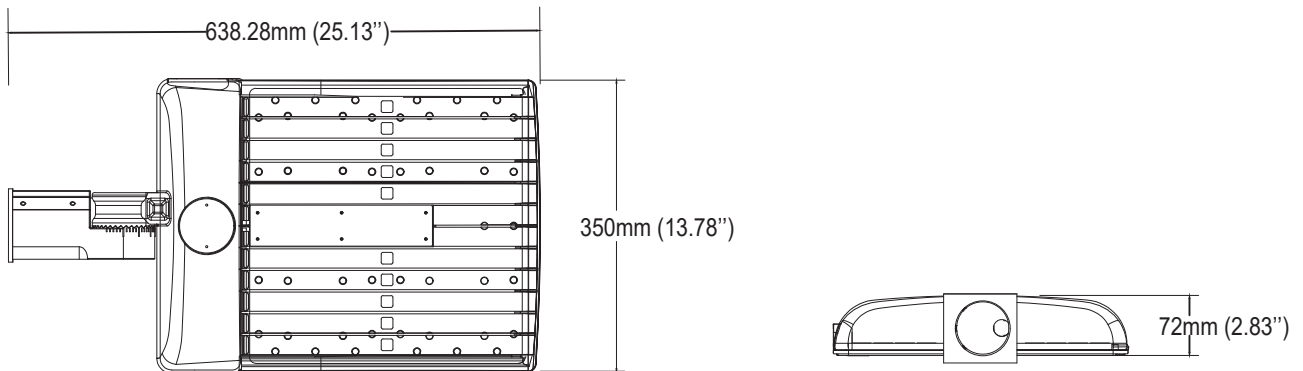
Roadways

Dimension Drawings

Dimension 1: (50W~150W)

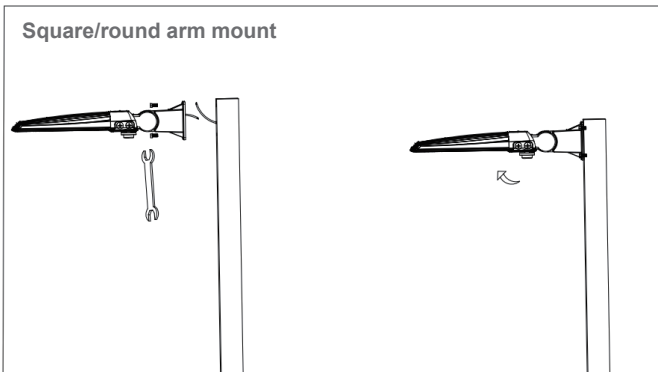


Dimension 2: (200W~300W)

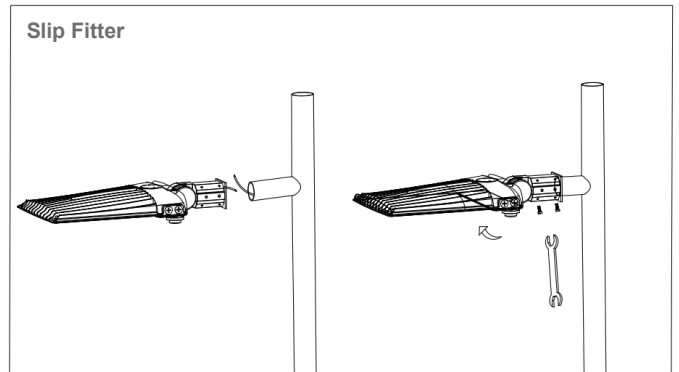


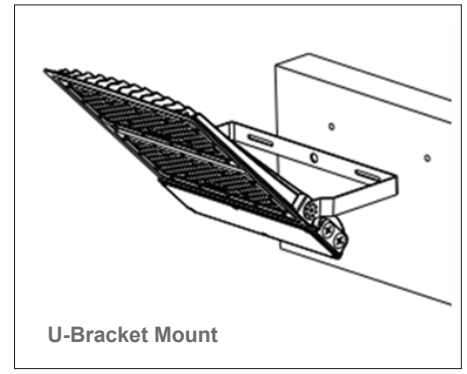
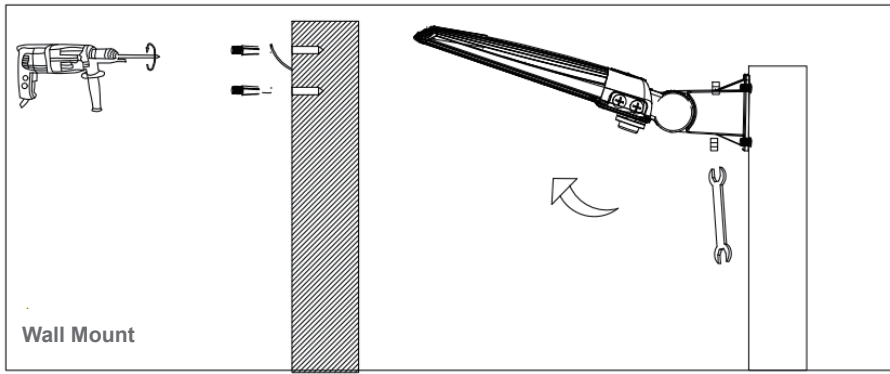
Installation

Square/round arm mount



Slip Fitter

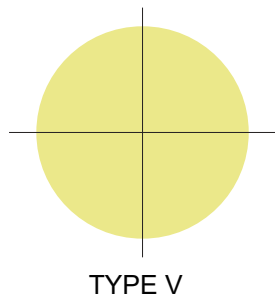
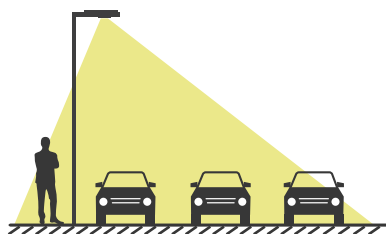
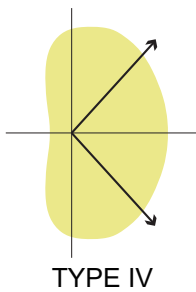
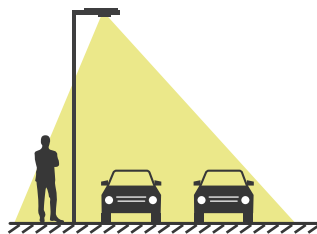
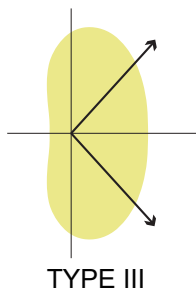




Options For Optic Lens

Type III ,Type IV ,Type V and flood lens optional

Lens Ordering Matrix



Lens Distribution

T5

- T2 = Type II (85°X135°)
- T3 = Type III (90°X 140°)
- T4 = Type IV (100° X 140°)
- T5 = Type V (120°)
- 60 = *Flood (60°)
- 30 = *Flood (30°)

Flood Light Lens contain a Type V lighting distribution; typically used in applications with low mounting heights.

LENS QUANTITY PER FIXTURE

QTY: 1 for 50W / 80W QTY: 1 for 100W / 150W
 QTY: 2 for 200W / 240W QTY: 2 for 300W