

# DL-AC-FLEX

LED Flexible Linear

AC Flexible Linear Strip Patent No.:9,671,075



## DESCRIPTION

DL-AC-FLEX is the next generation of high lumen output, specification grade, flexible lighting system that incorporates SMC's exclusive, patented, constant current, Driverless AC LED technology\*\* which operates directly off of line voltage - no additional power source required and no drivers to hide. With a run length of 150', the product can be dimmed with an ELV dimmer\*\*\*. The product is mounted either in a channel or with snap-in mounting clips. DL-AC-FLEX is designed for dry, damp and wet locations. The LEDs are imbedded within a patented, flexible, optically clear thermoplastic jacket. For easy installation, V.E. offers a full complement of connectors.

## FEATURES

- Provides up to 555 lm from 4.95W with an efficacy of 112 lm/W
- Patented constant current IC's provide uniform intensity over the entire run
- 3 Step Mac Adam LEDs
- SMC's exclusive Driverless AC LED\*\* technology incorporated within our patented, flexible, optically clear thermoplastic jacket provides for true 50,000 hours of operation with 70% lumen maintenance
- Line voltage – No power supplies to hide
- Run length of 150 feet (4" increments)
- Rated for Indoor and Outdoor applications
- High CRI of 80+
- Available in 2400K, 2700K, 3000K, 3500K, 4000K, 5000K.\*
- Mounts easily with snap-in clear plastic channel or mounting clips.

### SERIES – COLOR

<b>DL-AC-FLEX</b>	–	<input type="text"/>	+ Input Termination Options:
<b>24</b>	–	2400K	Indoor Hard Wire Pg. 4
<b>27</b>	–	2700K	Outdoor Hard Wire Pg. 5
<b>30</b>	–	3000K	Plug & Play Pg. 6
<b>35</b>	–	3500K	
<b>40</b>	–	4000K	
<b>50</b>	–	5000K	

## SPECIFICATIONS

<b>Input Voltage</b>	120V AC					
<b>Wattage</b>	4.95W per ft.					
<b>CCT</b>	2400K	2700K	3000K	3500K	4000K	5000K
<b>Lumen*</b>	430 lm	480 lm	500 lm	525 lm	555 lm	580 lm
<b>Efficacy lm/W</b>	87	97	101	106	112	117
<b>Power Factor</b>	0.95					
<b>THD</b>	48					
<b>Max Run / Min Run</b>	150ft. / 4in.					
<b>Beam Angle</b>	160°					
<b>Lumen Maintenance†</b>	50,000 hours					
<b>Dimming</b>	ELV*** (See page 8 for detail)					
<b>Dimensions‡</b>	7/8" W x 1/4" H					
<b>Environment</b>	Indoor/Outdoor - dry, damp and wet					
<b>Operating Temp.</b>	-22°F to 122°F					
<b>Certifications</b>	UL - Hard Wire Applications ETL - Hard Wire and Plug & Play applications					
<b>Warranty</b>	5 Years. See published warranty terms for detailed information.					



\* Contact factory for custom colors

\*\* Powered by Mag-LED

\*\*\* Never exceed dimmer max wattage, effectively dim down to 10%

For dimming options, see page 8 for detail.

† TM-21 calculation based on LM80 report

‡ Nominal

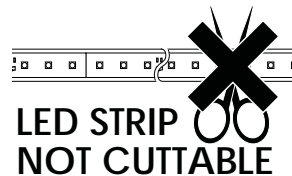
EXAMPLE: DL-AC-FLEX-30

**PER UL AND ETL SAFETY STANDARDS, ALL AC LED STRIPS ARE NOT FIELD CUTTABLE.**

Field cutting will result in voiding the product warranty, possible electrical shock and damaging of the product.

Factory custom cut in precise 4" increments.

Product is assembled to order and shipped ready for installation.

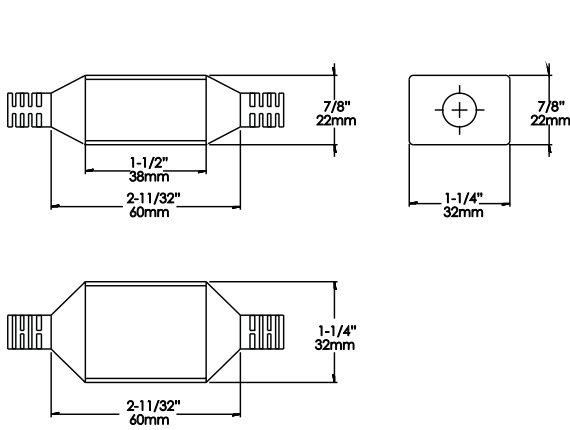


# DL-AC-FLEX

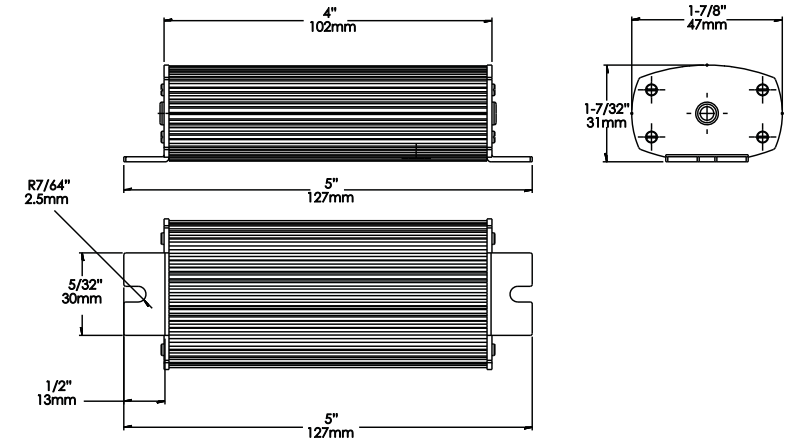
LED Flexible Linear

AC Flexible Linear Strip Patent No.:9,671,075

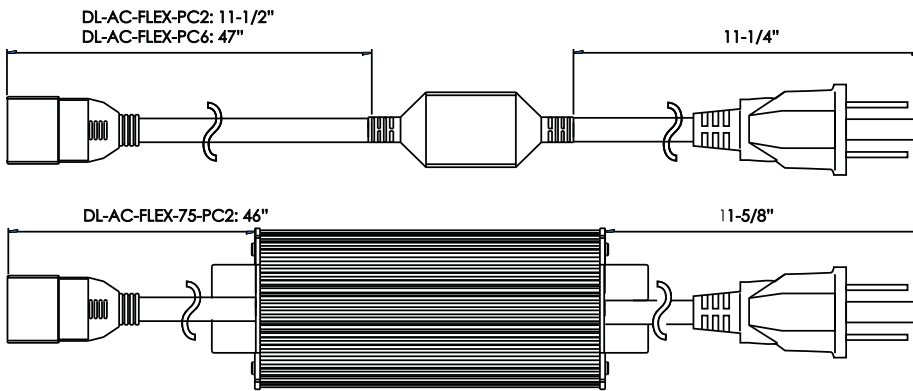
## COMPONENT DIMENSIONS



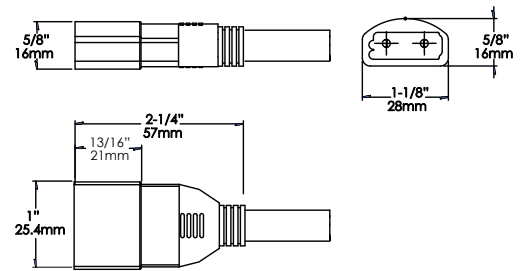
**DL-AC-FLEX-PC SURGE MODULE**



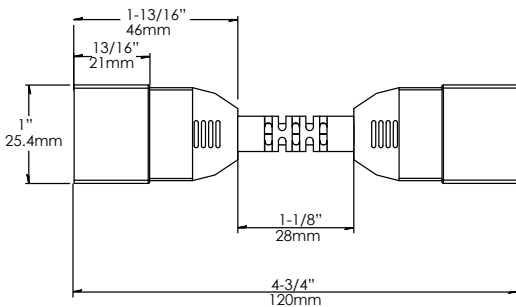
**DL-AC-FLEX-75-PC2 SURGE MODULE**



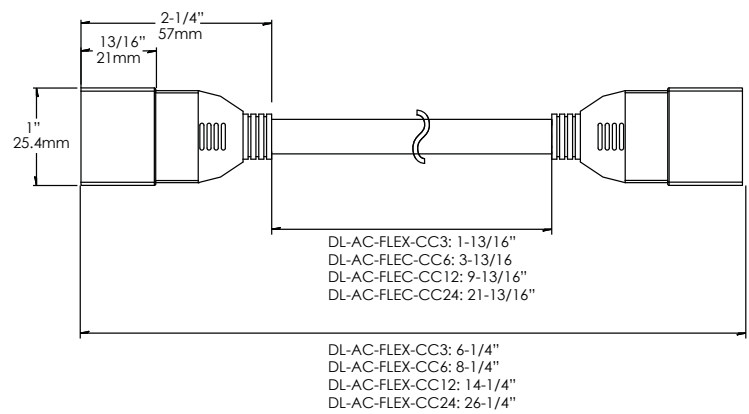
**PLUG & PLAY INPUT TERMINATION OVERALL LENGTH**



**DL-AC-FLEX STRIP PC CONNECTOR**



**DL-AC-FLEX-FLEX-CON**  
Flexible Connecting Cable (Indoor Only)



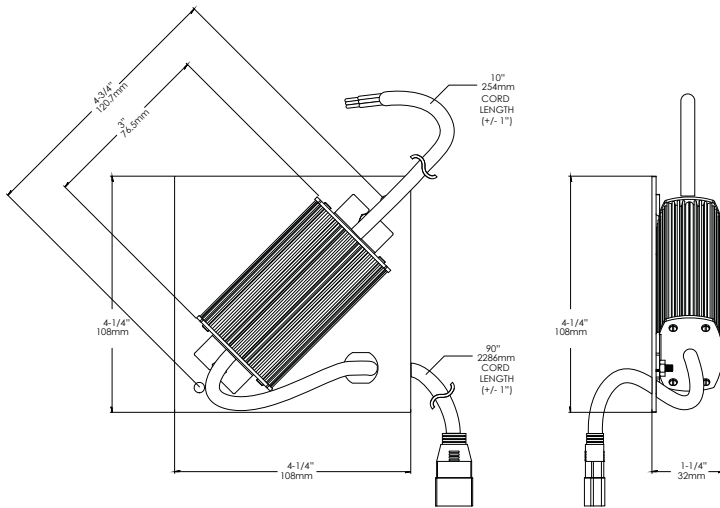
**DL-AC-FLEX-CC**  
Connecting Cable

# DL-AC-FLEX

LED Flexible Linear

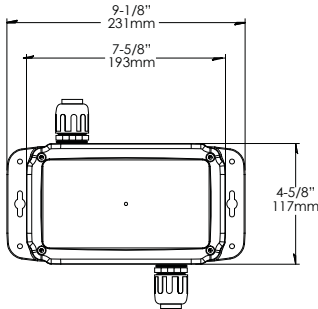
AC Flexible Linear Strip Patent No.:9,671,075

## COMPONENTS DIMENSIONS CONTINUED



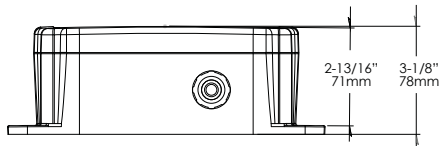
### DL-AC-FLEX-HW-08/20

SJT Cable with integral heat sink coverplate  
Made to fit on standard 4" junction box (min. 2" depth)



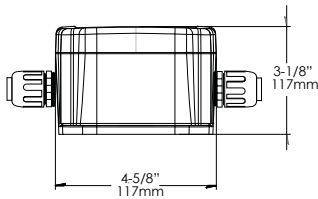
### DL-AC-FLEX-HW-08/20-ODF

NEMA 4X rated enclosure with connection to  
1/2"Ø non-metallic flexible conduit

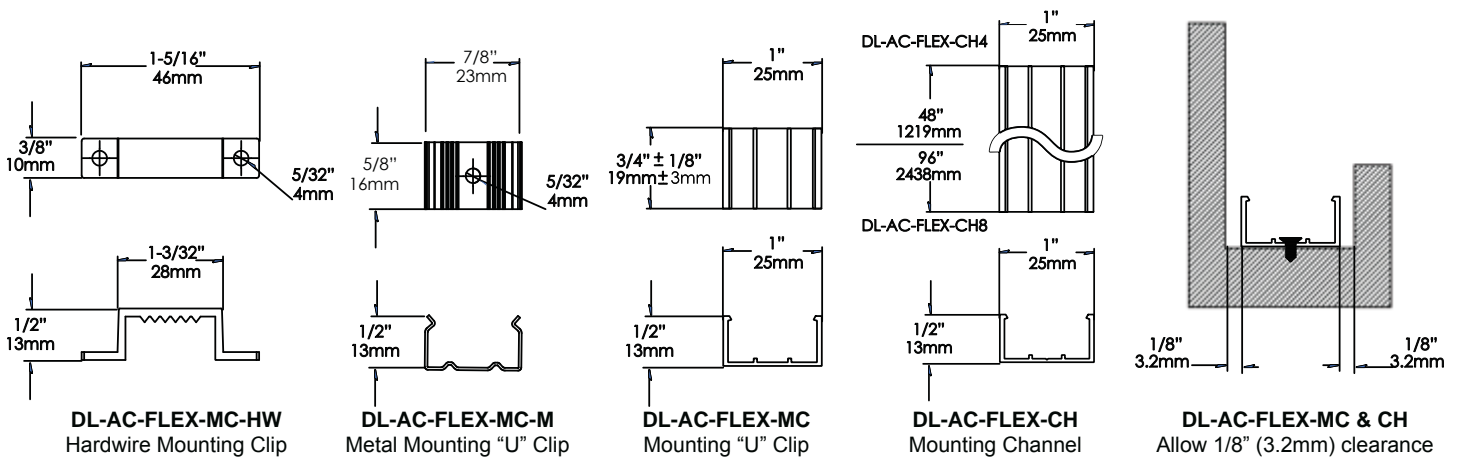


### DL-AC-FLEX-HW-08/20-ODR

NEMA 4X rated enclosure with connection to  
1/2"Ø non-metallic rigid conduit



## MOUNTING ACCESSORIES DIMENSIONS



# DL-AC-FLEX

LED Flexible Linear

AC Flexible Linear Strip Patent No.:9,671,075



## INDOOR HARD WIRE OPTIONS

### MOUNTING METHODS



**DL-AC-FLEX-MC-HW**  
Fixed Mounting U Clip  
(Clear Plastic with UV inhibitors)  
Dims: 1/2"H x 3/8"W x 1-5/16"L♦  
NOTE: 2 clips per section included.  
*Required for all hardwire applications*



**DL-AC-FLEX-MC**  
Plastic Snap-in Mounting "U" Clip  
(Clear Plastic with UV inhibitors)  
Dims: 1/2"H x 1"W x 1"L♦  
*Recommended: 1 clip every 6"*



**DL-AC-FLEX-MC-M**  
Metal Snap-in Mounting "U" Clip  
(Stainless Spring Steel)  
Dims: 1/2"H x 5/8"W x 1"L♦  
*Recommended: 1 clip every 6"*



**DL-AC-FLEX-CH4**  
4' Mounting Channel  
(Clear Plastic with UV inhibitors)  
Dims: 1/2"H x 1"W x 48"L♦

**DL-AC-FLEX-CH8**  
8' Mounting Channel  
(Clear Plastic with UV inhibitors)  
Dims: 1/2"H x 1"W x 96"L♦



**CH-FX-41-FR**  
Anodized Aluminum Channel Set with Frosted Lens Cover  
Dims: 1-3/4"H x 1-3/8"W x 78-3/4"L♦

**CH-FX-41**  
Anodized Aluminum Channel Only  
Dims: 7/8"H x 1-3/8"W x 78-3/4"L♦

See product spec for mounting options and accessories.

### ACCESSORIES



**DL-AC-FLEX-CC3**  
3" Connecting Cable♦

**DL-AC-FLEX-CC6**  
6" Connecting Cable♦

**DL-AC-FLEX-CC12**  
12" Connecting Cable♦

**DL-AC-FLEX-CC24**  
24" Connecting Cable♦



**DL-AC-FLEX-FLEX-CON**  
Flexible Connector  
(For corners with tight radius bend)



**DL-AC-FLEX-EC**  
End Cap (Clear)  
Note:  
End cap must be used at the end of each run.

### TERMINATING OPTIONS ††



**DL-AC-FLEX-HW-08**  
8' SJT cable with integral heat sink coverplate♣

**DL-AC-FLEX-HW-20**  
20' SJT cable with integral heat sink coverplate♣



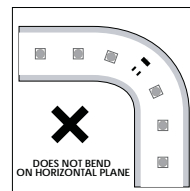
**DL-AC-FLEX-HW-08-CNDT**  
8' SJT cable with Integral heat sink coverplate with connection to 1/2" flexible aluminum conduit ♣

**DL-AC-FLEX-HW-20-CNDT**  
20' SJT cable with Integral heat sink coverplate with connection to 1/2" flexible aluminum conduit ♣

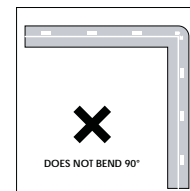


**DL-AC-FLEX-08-RADJ**  
8' SJT cable with Integral heat sink coverplate with 90° connection to 3/4" rigid raceway♣

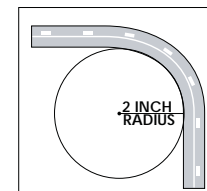
**DL-AC-FLEX-20-RADJ**  
20' SJT cable with Integral heat sink coverplate with 90° connection to 3/4" rigid raceway♣



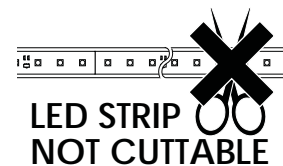
DOES NOT BEND ON HORIZONTAL PLANE



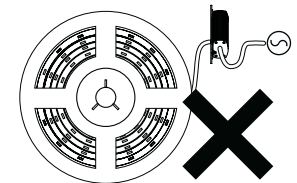
DOES NOT BEND 90°



2 INCH RADIUS



LED STRIP NOT CUTTABLE



NEVER POWER THE STRIP LIGHT WHILE ATTACHED TO A SPOOL OR WHEN TIGHTLY COILED.

♣Integral heat sink coverplate is made to fit on standard 4 inch square (double-gang) box.

♦Nominal

††Factory custom cut in precise 4" increments. Product is assembled to order and shipped ready for installation. Refer to installation instructions for complete details on use.

NOTE: COVERPLATE ASSEMBLY MUST BE USED IN CONJUNCTION WITH DL-AC-FLEX STRIP FOR ALL INDOOR HARD WIRING APPLICATIONS.

PER UL AND ETL SAFETY STANDARDS, ALL AC LED STRIPS ARE NOT FIELD CUTTABLE.

Field cutting will result in voiding the product warranty, possible electrical shock and damaging of the product.

# DL-AC-FLEX

LED Flexible Linear

AC Flexible Linear Strip Patent No.:9,671,075



## OUTDOOR HARD WIRE OPTIONS

### MOUNTING METHODS



**DL-AC-FLEX-MC-HW**  
Fixed Mounting U Clip  
(Clear Plastic with UV inhibitors)  
Dims: 1/2"H x 3/8"W x 1-5/16"L♦  
NOTE: 2 clips per section included.  
*Required for all hardwire applications*



**DL-AC-FLEX-MC**  
Plastic Snap-in Mounting "U" Clip  
(Clear Plastic with UV inhibitors)  
Dims: 1/2"H x 1"W x 1"L♦  
*Recommended: 1 clip every 6"*

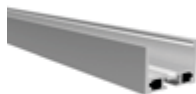


**DL-AC-FLEX-MC-M**  
Metal Snap-in Mounting "U" Clip  
(Stainless Spring Steel)  
Dims: 1/2"H x 5/8"W x 1"L♦  
*Recommended: 1 clip every 6"*



**DL-AC-FLEX-CH4**  
4' Mounting Channel  
(Clear Plastic with UV inhibitors)  
Dims: 1/2"H x 1"W x 48"L♦

**DL-AC-FLEX-CH8**  
8' Mounting Channel  
(Clear Plastic with UV inhibitors)  
Dims: 1/2"H x 1"W x 96"L♦



**CH-FX-41**  
Anodized Aluminum Channel Only  
Dims: 7/8"H x 1-3/8"W x 78-3/4"L♦  
See product spec for mounting options and accessories.

### ACCESSORIES



**DL-AC-FLEX-CC3**  
3" Connecting Cable♦

**DL-AC-FLEX-CC6**  
6" Connecting Cable♦

**DL-AC-FLEX-CC12**  
12" Connecting Cable♦

**DL-AC-FLEX-CC24**  
24" Connecting Cable♦



**DL-AC-FLEX-EC**  
End Cap (Clear)  
Note:  
End cap must be used at the end of each run.

### TERMINATING OPTION ††



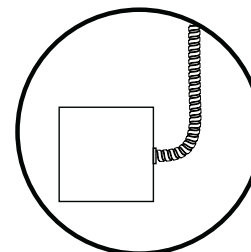
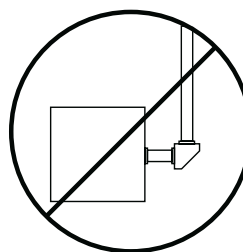
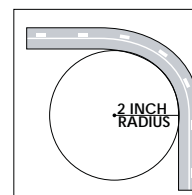
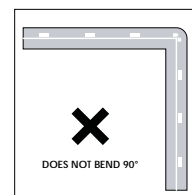
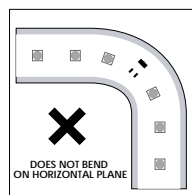
**DL-AC-FLEX-HW08-ODF**  
8' SJT cable with NEMA 4X rated enclosure with connection to 1/2"Ø non-metallic flexible conduit

**DL-AC-FLEX-HW20-ODF**  
20' SJT cable with NEMA 4X rated enclosure with connection to 1/2"Ø non-metallic flexible conduit

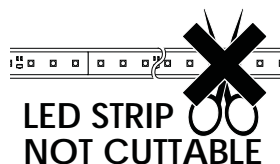


**DL-AC-FLEX-HW08-ODR**  
8' cable with NEMA 4X rated enclosure with connection to 1/2"Ø non-metallic rigid conduit

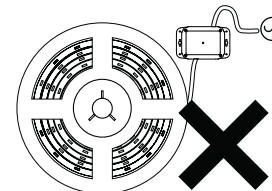
**DL-AC-FLEX-HW20-ODR**  
20' cable with NEMA 4X rated enclosure with connection to 1/2"Ø non-metallic rigid conduit



**FLEXIBLE CONDUIT ONLY FOR INPUT CONNECTION**  
For use with UL, ETL or CSA approved electrical grade non-metallic flexible conduit.



**LED STRIP NOT CUTTABLE**



NEVER POWER THE STRIP LIGHT WHILE ATTACHED TO A SPOOL OR WHEN TIGHTLY COILED.

♦Nominal  
††Factory custom cut in precise 4" increments. Product is assembled to order and shipped ready for installation. Refer to installation instructions for complete details on use.

**NOTE: ALL CONNECTIONS MUST BE PROPERLY SECURED AND SEALED FOR OUTDOOR INSTALLATIONS.**

**PER UL AND ETL SAFETY STANDARDS, ALL AC LED STRIPS ARE NOT FIELD CUTTABLE.**

Field cutting will result in voiding the product warranty, possible electrical shock and damaging of the product.

# DL-AC-FLEX

LED Flexible Linear

AC Flexible Linear Strip Patent No.:9,671,075



## PLUG AND PLAY OPTIONS

### MOUNTING METHODS



**DL-AC-FLEX-MC**  
Plastic Snap-in Mounting "U" Clip  
(Clear Plastic with UV inhibitors)  
Dims: 1/2"H x 1"W x 1"L♦  
*Recommended: 1 clip every 6"*



**DL-AC-FLEX-MC-M**  
Metal Snap-in Mounting "U" Clip  
(Stainless Spring Steel)  
Dims: 1/2"H x 5/8"W x 1"L♦  
*Recommended: 1 clip every 6"*



**DL-AC-FLEX-CH4**  
4' Mounting Channel  
(Clear Plastic with UV inhibitors)  
Dims: 1/2"H x 1"W x 48"L♦

**DL-AC-FLEX-CH8**  
8' Mounting Channel  
(Clear Plastic with UV inhibitors)  
Dims: 1/2"H x 1"W x 96"L♦

### ACCESSORIES



**DL-AC-FLEX-CC3**  
3" Connecting Cable♦  
**DL-AC-FLEX-CC6**  
6" Connecting Cable♦  
**DL-AC-FLEX-CC12**  
12" Connecting Cable♦  
**DL-AC-FLEX-CC24**  
24" Connecting Cable♦



**DL-AC-FLEX-FLEX-CON**  
Flexible Connector  
(For corners with tight radius bend)  
Indoor applications only.



**DL-AC-FLEX-EC**  
End Cap (Clear)  
**Note:**  
End cap must be used at the end of each run.

#### ♦Nominal

††Factory custom cut in precise 4" increments. Product is assembled to order and shipped ready for installation.

Refer to installation instructions for complete details on use.

**PER UL AND ETL SAFETY STANDARDS, ALL AC LED STRIPS ARE NOT FIELD CUTTABLE.**

Field cutting will result in voiding the product warranty, possible electrical shock and damaging of the product.

### TERMINATING OPTIONS ††

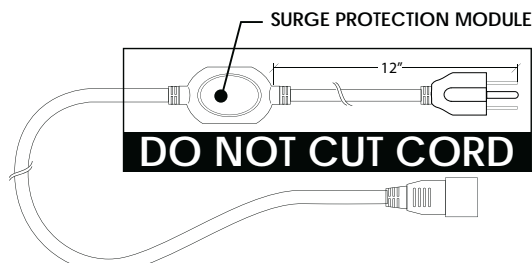


**DL-AC-FLEX-PC2**  
2' Cord and Power Plug with surge protection for runs < 75'

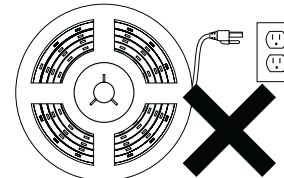
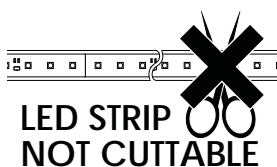
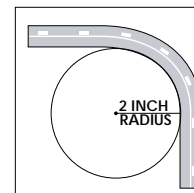
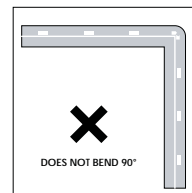
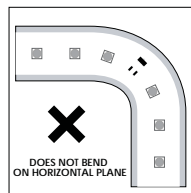
**DL-AC-FLEX-PC6**  
5' Cord and Power Plug with surge protection for runs < 75'



**DL-AC-FLEX-75-PC2**  
2' Power Plug with surge protection for runs > 75'



Each power cable has a built-in surge protection module. Cutting the surge module off will result in voiding the product warranty and **RISK OF ELECTRICAL SHOCK AND DAMAGING THE PRODUCT**



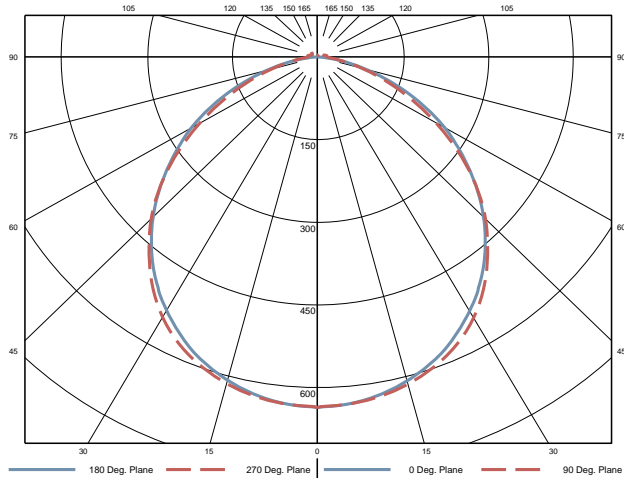
NEVER POWER THE STRIP LIGHT WHILE ATTACHED TO A SPOOL OR WHEN TIGHTLY COILED.

# DL-AC-FLEX

LED Flexible Linear

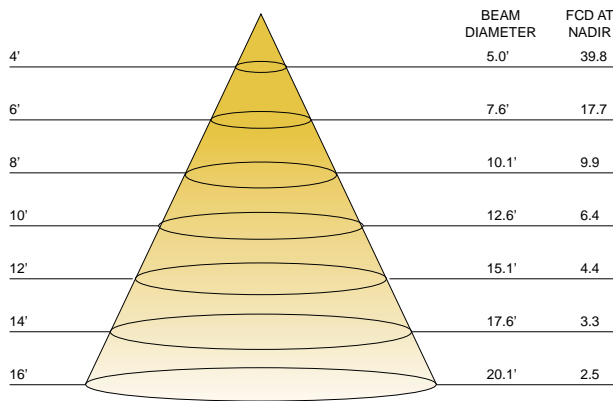
AC Flexible Linear Strip Patent No.:9,671,075

## DISTRIBUTION - POLAR PLOT 3000K\*



Zone	Lumens	% of Luminaire
0-40	810	46.5%
0-60	1258	80.3%
0-90	1697	97.4%
90-180	45	2.6%

## DISTRIBUTION - CONE OF LIGHT 3000K\*



Mounting Height (Ft.)	Footcandles at Nadir	Diameter (Ft.)
4.00	39.8	5.04
6.00	17.7	7.56
8.00	9.94	10.1
10.0	6.36	12.6
12.0	4.42	15.1
14.0	3.25	17.6
16.0	2.49	20.1

\*Based on 48" DL-AC-FLEX-30 LED strip

# DL-AC-FLEX

LED Flexible Linear

AC Flexible Linear Strip Patent No.:9,671,075

## COMPATIBLE DIMMERS up to 110ft continuous run\*

MANUFACTURER	STYLE	MODEL NUMBER	TYPE	CAPACITY	RECOMMENDED FOOTAGE
Lutron	Diva	DVELV-303P	Electronic Low Voltage	300W	50 FEET
	Nova T	NTELV-300	Electronic Low Voltage	300W	50 FEET
	Nova T	NTELV-600	Electronic Low Voltage	600W	110 FEET
	Maestro	MIRELV-600M	Electronic Low Voltage	600W	110 FEET

## DIMMING 150FT. CONTINUOUS RUN OF I-GLO\*

### PARTS REQUIRED (not included)

DIMMER: **LUTRON NOVA-T-NTF-10**

INTERFACE: **LUTRON PHPM-WBX-120-WH**

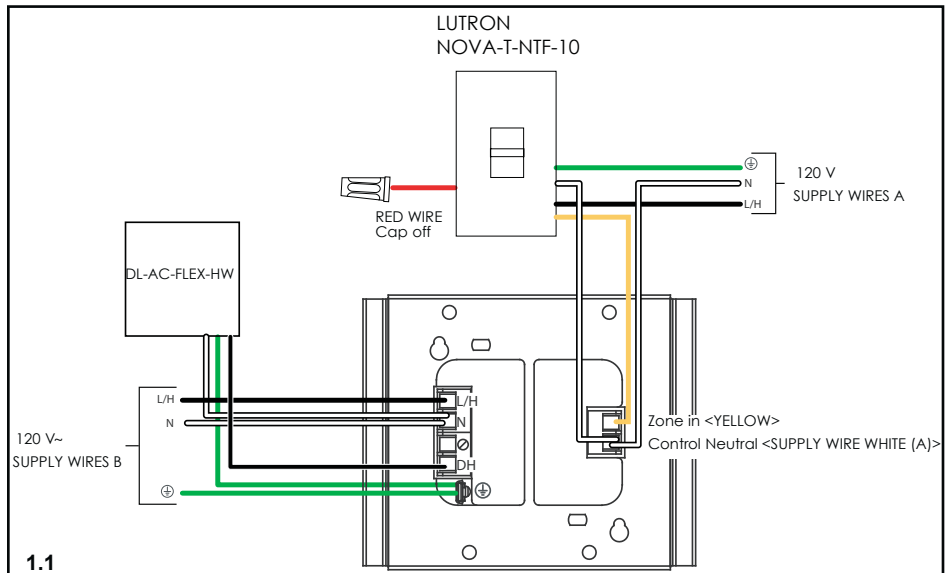
**1.1** Suggested wiring with separate power feeds for control and load sides.

**1.2** Typical installation with separate power feeds for control and load sides.

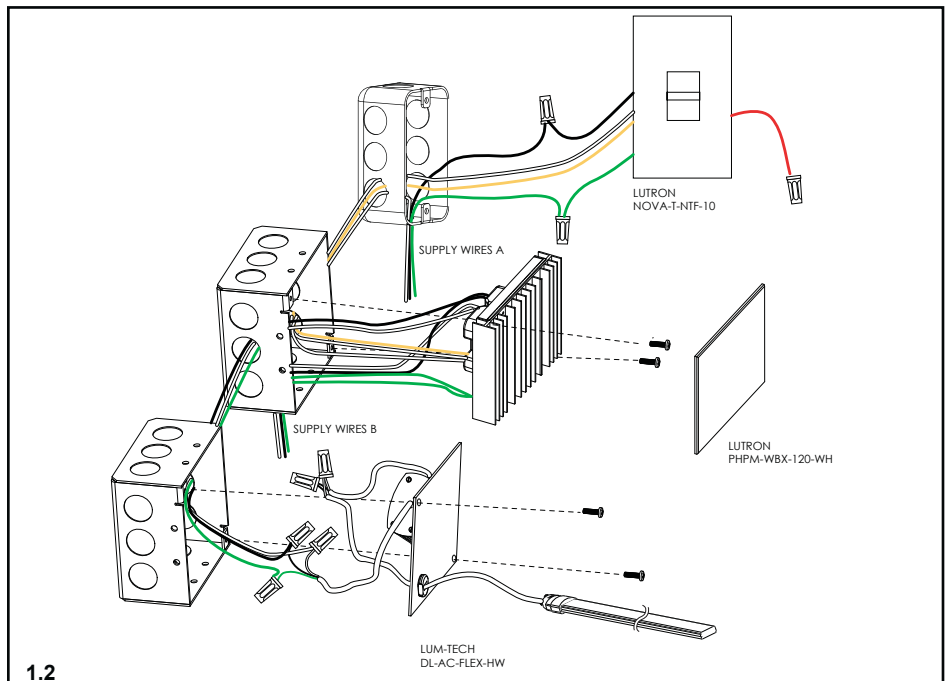
Please check manufacturer's documentations on detailed wiring and installation instructions.

### LUTRON PHPM-WBX-120-WH

- Indoor use only.
- minimum load 10W
- Mount in 2-gang U.S. wallbox 3.5 in (89 mm) deep or 4 in x 4 in (102 mm x 102 mm) junction box 2.1 in (53 mm) deep.
- This device generates heat; mount only where ambient temperature is 32 °F to 104 °F (0 °C to 40 °C).
- Mount with arrows facing up to ensure adequate cooling.
- Allow 4.5 in (114 mm) above and below unit and between faceplates when mounting several in a vertical layout.
- Mount so line (mains) voltage wiring is at least 6 ft (1.8 m) from sound or electronic equipment and wiring.



1.1



1.2

\* Effectively dim down to 10%

NOTE: All available dimmers have not been tested with I-GLO and there may be several factors during installation that can affect performance. Prior testing of your exact application of I-GLO and your designated dimmer is highly recommended. For dimmers that are not listed, please contact factory.