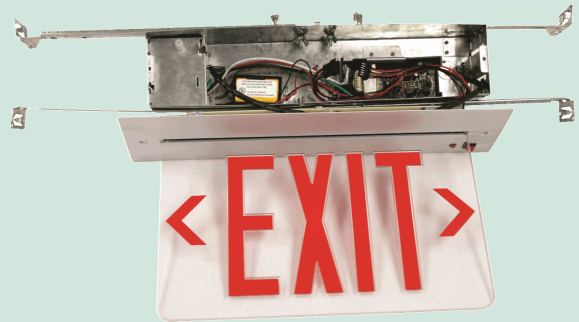


Value Engineered Lighting

Exit, Emergency and Inverters



Product Icon Key



NO POWER

Fixture doesn't include any electrical/electronic components thus eliminating the need for a power supply.



ALL LED

Long-life, energy efficient RED or GREEN LEDs provide EXIT sign illumination, while the emergency lamp heads are illuminated by ultra bright, long lasting WHITE LEDs.



HIGH LUMEN

Long-life, energy efficient RED or GREEN LEDs provide EXIT sign illumination, while the emergency lamp heads are illuminated by ultra bright, long lasting WHITE LEDs.



SDT

Automated and continuous component testing complies with mandated NFPA 101 code requirements.



TAMPER PROOF

Special hardware used to seal the units to prevent any unauthorized access.



NEW YORK APPROVED

Signs/units comply with New York City building code requirements.



CHICAGO APPROVED

Signs/units comply with the City of Chicago Exit and Emergency code requirements.



UL LISTED

Tested by UL (Underwriters Laboratories) to the nationally recognized Safety Standard (UL924) and meets or exceeds the mandated requirements of NFPA 101, NFPA70, OSHA & NEC codes.



UL LISTED - US & CANADA:

Tested to Canadian and U.S. standards by Underwriters' Laboratories indicating compliance to both Canadian and U.S. Safety Standard requirements.



DAMP LOCATION

UL listed for use in damp locations.



COLD LOCATION

Use of internal thermal heater or a high-capacity battery allows the fixture to be used in freezer applications.



WET LOCATION

UL listed for use in wet locations.



HEATER

Use of internal thermal heater allows the fixture to be used in cold temperature applications.



MOUNTING CANOPY

Mounting hardware provided includes a canopy for ease in installation of the product.



2C

Exit signs can be connected to two different power supplies (one acting as a backup for the other) at the same time.



ASSEMBLED in USA

Substantial transformation assembly in the United States. Complies with "Assembled in the USA" under the Buy American Act.



ETL

Tested by ETL (Intertek Testing Services) to the UL924 standard, and meets or exceeds the mandated requirements of NFPA 101, NFPA70, OSHA and NEC codes.



UL RECOGNIZED

UL's component recognition service covers the evaluation of components or materials intended for use in a complete product or system. These components are intended only for incorporation into other end-use products that may be eligible for UL's Listing,

Table of Contents

EXIT SIGNS

VEZXTEU	4
vEZXTEU-RC	5
VEZR X TEU	6
VEZT X TEU	7
VKXTEU	8
VKZXTEU	9
VNYKXTEU	10
VPLELRXTEU	11
VELXTEU	12
VNYELXTEU	13
VRELZXTE	14
VNYRELXTE	15
VWLEZXTEU	16
VWLXTE	17
VSXTEU	18
VNYXTEU	19

COMBOS

VLEDCXTEU	21
VCXTEU	22
VCLPU	23
VCEU	24
VCWLXTE	25
CNYXTE	26
CKXTEU	27

EMERGENCY LIGHTING

VLEDR-1	29
VLEDR5HO	30
VR-1	31
VR-5HO	32
VE-1	33
VLEDR-2	34
VR-2	35
VLEDRX-5HL	36
VR-16	37
VR-16HO	38
VRMR-16	39
VRMR-16-WP	40
VRMR-16-65/125	41
VR-7	42
VLEDR-7	43
VPAR-1	44
VLEDTFX-2	45
VTFX-2	46
VDXR	47
VCADXR	48
VCAR	49
VNYDXR	50
VLEDCADXR	51
VLEDSDXR627	52
VDBEL	53
VEMRL-1	54

ACCESSORIES

VRETROFIT KITS	56
VREMOTE TEST SWITCH	57
VVANDAL SHIELDS	58
VWIRE GUARDS	59
VRHLED - Indoor	60
VRHLED - Outdoor	61
VSRH	62
VSRHLED	63
VRH16LED	64
VRH16	65
VRH - Indoor	66
VRHR	67
VRH - Outdoor	68
VBL6	69

EMERGENCY BALLASTS

VMPS	71
VSPS	72
BLEDEM	73
BAL500	74
BAL500ACTD	75
BAL500LPACTD	76
BALT5-500ACTD	77
BAL650C-2	78
BAL650C-4	79
BAL650C-4ACTD	80
BAL700	81
BAL700ACTD	82
BAL700LPACTD	83
BALT5-800ACTD	84
BALT5-1300ACTD	85
BAL1400	86
BAL1400ACTD	87
BAL1400LPACTD	88
BAL3000	89
BAL3000ACTD	90

EXIT SIGNS





VEZXTEU

LED EXIT SIGN



STANDARD



OPTIONAL



ILLUMINATION

- Ultra bright, energy efficient, long life Red or Green LED.

ELECTRICAL

- Dual 120/277 voltage.
- Charge rate/power "ON" LED indicator light and push-to-test switch for mandated code compliance testing.
- 4.8V long life, maintenance-free, rechargeable NiCd battery.
- Internal solid-state transfer switch automatically connects the internal battery to LED board for minimum 90-minute emergency illumination.
- Fully automatic solid-state, two rate charger initiates battery charging to recharge a discharged battery in 24 hours.

MOUNTING

- EZ-snap mounting canopy included for top or end mount.
- Universal K/O pattern on back plate for wall mount.

HOUSING

- Injection-molded, engineering grade, 5VA flame retardant, high-impact resistant, thermoplastic in white or black finish.
- EZ snap-out chevron directional indicators.
- Compact, low-profile design.

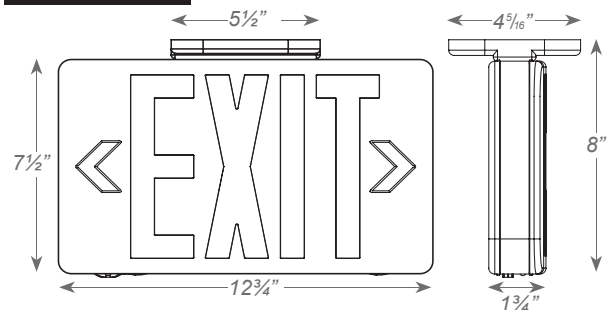
OPTIONS

- SDT: Self-diagnostic feature performs monthly, biannual, and annual tests to ensure reliable operation and meet electrical and life safety codes.
- 2C: Dual circuit option on the AC-only unit enables it to be connected to two different (one acting as a back-up to the other) supplies at the same time.
- Custom: Signs available with requested 'special' wording.
- USA: Substantial transformation assembly in the U.S. complies with "Assembled in the USA" under the Buy American Act.
- cULus: Units tested to meet requirements of CAN/CSA-c22.2 No. 141-02 standard for unit equipment.

WARRANTY / LISTING

- Five year warranty on all electronics and housing. Battery pro rated for five years.
- Meets UL924, NFPA 101 Life Safety Code, NEC, OSHA, Local and State Codes.
- UL Listed for damp locations (0°C – 50°C).

DIMENSIONS



ORDERING INFORMATION

Sample Part Number: **VEZXTEU-2-R-W-EM**

	MODEL	No. of FACES	LETTER COLOR	HOUSING COLOR	BATTERY	OPTIONS
Special voltage & SALIDA face plate options available. Check with your V.E. Lighting Representative.	VEZXTEU	1	Single Face	R Red	W White	Blank AC Only
		2	Universal Single/Double Face	G Green	B Black	EM Battery Backup
						SDT Self-diagnostics ¹
						2C Dual circuit operation ²
						Custom Custom wording
						USA Assembled in USA
						cULus cULus Listed

¹ Available only with EM units.

² Available only with AC units



VEZXTEU-RC

REMOTE CAPABLE LED EXIT SIGN

STANDARD



OPTIONAL



ILLUMINATION

- Ultra bright, energy efficient, long life Red or Green LED.

ELECTRICAL

- Dual 120/277 voltage.
- Offers 11W of remote capacity.
- Charge rate/power "ON" LED indicator light and push-to-test switch for mandated code compliance testing.
- LVD (low voltage disconnect) prevents battery from deep discharge.
- 6V maintenance-free, rechargeable sealed lead acid battery.
- Internal solid-state transfer switch automatically connects the internal battery to LED board and remote lamp heads for minimum 90-minute emergency illumination.
- Fully automatic solid-state, two rate charger initiates battery charging to recharge a discharged battery in 24 hours.

MOUNTING

- EZ-snap mounting canopy included for top or end mount.
- Universal K/O pattern on back plate for wall mount.

HOUSING

- Injection-molded, engineering grade, 5VA flame retardant, high-impact resistant, thermoplastic in white or black finish.
- EZ snap-out chevron directional indicators.

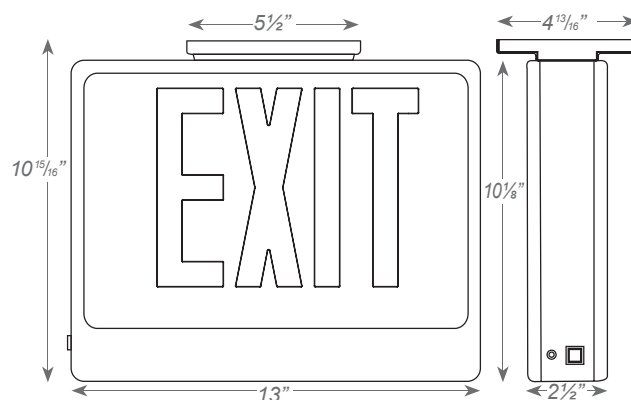
OPTIONS

- SDT: Self-diagnostic feature performs monthly, biannual, and annual tests to ensure reliable operation and meet electrical and life safety codes.
- HTR: Optional internal heater for cold temperature applications.
- cULus: Units tested to meet requirements of CAN/CSA-c22.2 No. 141-02 standard for unit equipment.

WARRANTY / LISTING

- Meets UL924, NFPA 101 Life Safety Code, NEC, OSHA, Local and State Codes.
- UL Listed for damp locations (20°C – 50°C).

DIMENSIONS



ORDERING INFORMATION

Sample Part Number: **VEZXTEU-1-R-W-EM-RC**

Special voltage & SALIDA face plate options available. Check with your V.E. Lighting Representative.	MODEL	No. of FACES	LETTER COLOR	HOUSING COLOR	BATTERY	OPTIONS	
	VEZXTEU-RC	1	Single Face	R Red	W White	EM Battery Backup	RC Remote Capable Standard
		2	Universal Single/Double	G Green	B Black		HTR Internal Heater
							cULus cULus Listed

VEZR XTEU

COMPACT LED EXIT SIGN



STANDARD



ILLUMINATION

- Ultra bright, energy efficient, long life Red or Green LED.

ELECTRICAL

- Dual 120/277 voltage.
- Charge rate/power "ON" LED indicator light and push-to-test switch for mandated code compliance testing.
- 1.2V Long life, maintenance-free, rechargeable NiCd battery.
- Internal solid-state transfer switch automatically connects the internal battery to LED board for minimum 90-minute emergency illumination.
- Fully automatic solid-state, two rate charger initiates battery charging to recharge a discharged battery in 24 hours.

MOUNTING

- EZ-snap mounting canopy included for top or end mount.
- Universal K/O pattern on back plate for wall mount.

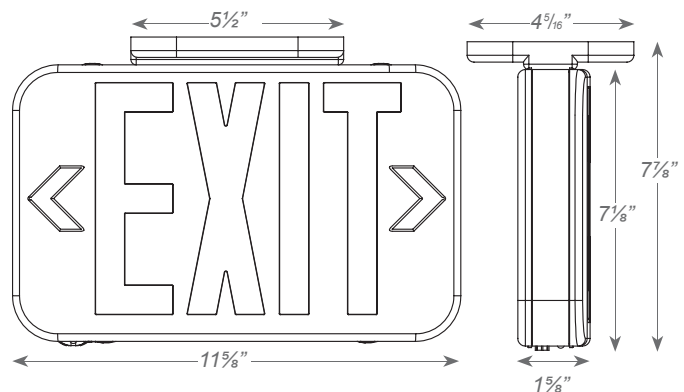
HOUSING

- Injection-molded, engineering grade, 5VA flame retardant, high-impact resistant, thermoplastic in white or black finish.
- Aesthetically pleasing, curved face, rounded corner design.
- EZ snap-out chevron directional indicators.

WARRANTY / LISTING

- Five year warranty on all electronics and housing. Battery pro rated for five years.
- Meets UL924, NFPA 101 Life Safety Code, NEC, OSHA, Local and State Codes.
- UL Listed for damp locations (0°C – 50°C).

DIMENSIONS



ORDERING INFORMATION

Sample Part Number: **VEZR XTEU-1-R-W-EM**

MODEL	No. of FACES	LETTER COLOR	HOUSING COLOR	BATTERY
VEZR XTEU	1 Single Face	R Red	W White	Blank AC Only
	2 Universal Single/Double Face	G Green	B Black	EM Battery Backup



VEZTXTEU

THIN THERMOPLASTIC EXIT SIGN



STANDARD



ILLUMINATION

- Ultra bright, energy efficient, long life Red or Green LED.

ELECTRICAL

- Dual 120/277 voltage.
- Charge rate/power "ON" LED indicator light and push-to-test switch for mandated code compliance testing.
- 1.2V long life, maintenance-free, rechargeable NiCd battery.
- Internal solid-state transfer switch automatically connects the internal battery to LED board for minimum 90-minute emergency illumination.
- Fully automatic solid-state, two rate charger initiates battery charging to recharge a discharged battery in 24 hours.

MOUNTING

- Mounting canopy included for top or end mount.
- Universal K/O pattern on back plate for wall mount.

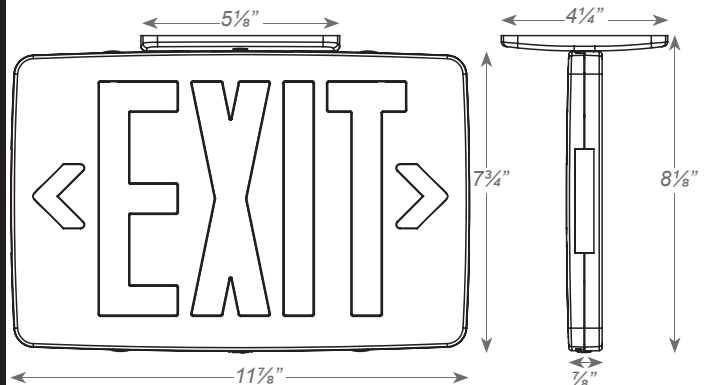
HOUSING

- Injection-molded, engineering grade, 5VA flame retardant, high-impact resistant, thermoplastic in white or black finish.
- Specification-grade, low profile thin plastic design.
- EZ snap-out chevron directional indicators.
- Available specifically in single or double face only.

WARRANTY / LISTING

- Five year warranty on all electronics and housing. Battery pro rated for five years.
- Meets UL924, NFPA 101 Life Safety Code, NEC, OSHA, Local and State Codes.
- UL Listed for damp locations (0°C – 50°C).

DIMENSIONS



ORDERING INFORMATION

Sample Part Number: **VEZTXTEU-1-R-W-EM**

MODEL	No. of FACES	LETTER COLOR	HOUSING COLOR	BATTERY
VEZTXTEU	1 Single Face	R Red	W White	Blank AC Only
	2 Double Face	G Green	B Black	EM Battery Backup



VKXTEU

DIE-CAST ALUMINUM LED EXIT SIGN



STANDARD



OPTIONAL



ILLUMINATION

- Ultra bright, energy efficient, long life Red or Green LED.

ELECTRICAL

- Dual 120/277 voltage.
- Charge rate/power "ON" LED indicator light and push-to-test switch for mandated code compliance testing.
- 4.8V long life maintenance-free, rechargeable NiCd battery.
- Internal solid-state transfer switch automatically connects the internal battery to LED board for minimum 90-minute emergency illumination.
- Fully automatic solid-state, two rate charger initiates battery charging to recharge a discharged battery in 24 hours.

MOUNTING

- Aluminum mounting canopy included for top or end mount.
- Universal K/O pattern on back plate for wall mount.

HOUSING

- Premium-grade, aluminum housing (also available in black or white powder-coated finishes).
- Field selectable knockout chevron directional indicators.
- Unique design allows double face conversion in the field.
- Quick-snap face plate closure.

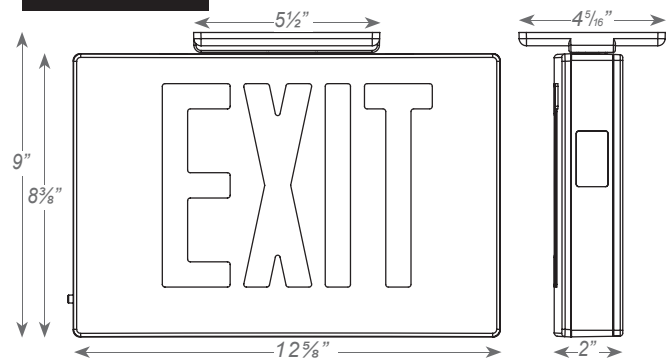
OPTIONS

- TP: Tamper-proof hardware helps prevent unauthorized access to the unit.
- SDT: Self-diagnostic feature performs monthly, biannual, and annual tests to ensure reliable operation and meet electrical and life safety codes.
- 2C: Dual circuit option on the AC-only unit enables it to be connected to two different (one acting as a back-up to the other) supplies at the same time.
- USA: Substantial transformation assembly in the U.S. complies with "Assembled in the USA" under the Buy American Act.

WARRANTY / LISTING

- Five year warranty on all electronics and housing. Battery pro rated for five years.
- Meets UL924, NFPA 101 Life Safety Code, NEC, OSHA, Local and State Codes.
- UL Listed for damp locations (0°C – 50°C).

DIMENSIONS



ORDERING INFORMATION

Sample Part Number: **VKXTEU-1-R-B-A-EM**

MODEL	No. of FACES	LETTER COLOR	PANEL	HOUSING COLOR	BATTERY	OPTIONS	
VKXTEU	1	Single Face	R Red	W White	W White	Blank AC Only	SDT Self-diagnostics ¹
	2	Double Face	G Green	B Black	B Black	EM Battery Backup	2C Dual circuit Operation ²
	3	Universal Single/Double Face		A Aluminum	A Aluminum		TP Tamper-Proof USA Assembled in USA

Special voltage options available. Check with your V.E. Lighting Representative.

¹ Available only with EM units.

² Available only with AC units



VKZXTEU

THIN DIE-CAST LED EXIT SIGN



STANDARD



ILLUMINATION

- Ultra bright, energy efficient, long life Red or Green LED.

ELECTRICAL

- Dual 120/277 voltage.
- Charge rate/power "ON" LED indicator light and push-to-test switch for mandated code compliance testing.
- 2.4V long life, maintenance-free, rechargeable NiCd battery.
- Internal solid-state transfer switch automatically connects the internal battery to LED board for minimum 90-minute emergency illumination.
- Fully automatic solid-state, two rate charger initiates battery charging to recharge a discharged battery in 24 hours.

MOUNTING

- Aluminum mounting canopy included for top or end mount.
- Universal K/O pattern on back plate for wall mount.

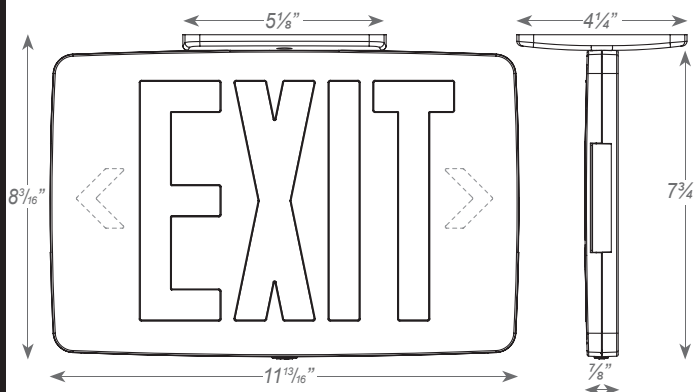
HOUSING

- Premium-grade, aluminum housing (also available in black or white powder-coated finishes).
- Field selectable knockout chevron directional indicators.
- Quick-snap face plate closure.
- Specification-grade, low profile thin aluminum die-cast design.
- Available specifically in single or double face only.

WARRANTY / LISTING

- Five year warranty on all electronics and housing. Battery pro rated for five years.
- Meets UL924, NFPA 101 Life Safety Code, NEC, OSHA, Local and State Codes.
- UL Listed for damp locations (0°C – 50°C).

DIMENSIONS



ORDERING INFORMATION

Sample Part Number: **VKZXTEU-1-R-W**

MODEL	No. of FACES	LETTER COLOR	HOUSING COLOR	BATTERY
VKZXTEU	1 Single Face	R Red	W White	Blank AC-Only
	2 Double Face	G Green	B Black A Aluminum	EM Battery Back-up

VNYKXTEU



NEW YORK CITY APPROVED DIE-CAST ALUMINUM LED EXIT SIGN



STANDARD

OPTIONAL



ILLUMINATION

- Ultra bright, energy efficient, long life red LED.
- New York City approved 8" EXIT letters.

ELECTRICAL

- Dual 120/277 voltage.
- Charge rate/power "ON" LED indicator light and push-to-test switch for mandated code compliance testing.
- 4.8V long life, maintenance-free, rechargeable NiCd battery.
- Internal solid-state transfer switch automatically connects the internal battery to LED board for minimum 90-minute emergency illumination.
- Fully automatic solid-state, two rate charger initiates battery charging to recharge a discharged battery in 24 hours.

MOUNTING

- Aluminum mounting canopy included for top or end mount.
- Universal K/O pattern on back plate for wall mount.

HOUSING

- Premium-grade, aluminum housing (also available in black or white powder-coated finishes).
- Field selectable knockout chevron directional indicators.
- Unique design allows double face conversion in the field.
- Quick-snap face plate closure.

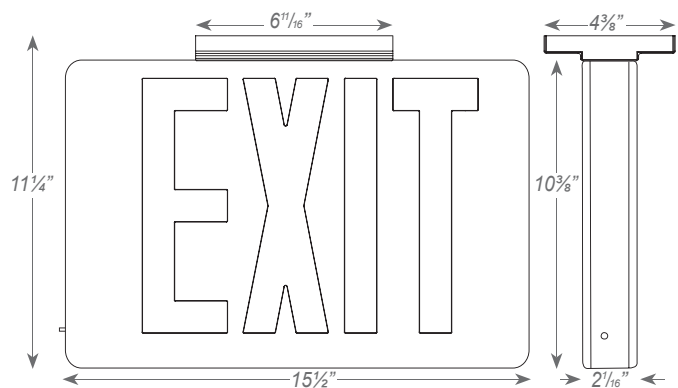
OPTIONS

- SDT: Self-diagnostic feature performs monthly, biannual, and annual tests to ensure reliable operation and meet electrical and life safety codes.
- 2C: Dual circuit option on the AC-only unit enables it to be connected to two different (one acting as a back-up to the other) supplies at the same time.

WARRANTY / LISTING

- Five year warranty on all electronics and housing. Battery pro rated for five years.
- Meets UL924, NFPA 101 Life Safety Code, NEC, OSHA, Local and State Codes.
- UL Listed for damp locations (0°C – 50°C).

DIMENSIONS



ORDERING INFORMATION

Sample Part Number: VNYKXTEU-1-R-B-A-EM

MODEL	No. of FACES	LETTER COLOR	PANEL	HOUSING COLOR	BATTERY	OPTIONS
VNYKXTEU	1	Single Face	R Red	W White	Blank AC Only	SDT Self-diagnostics ¹
	2	Double Face		B Black	EM Battery Backup	2C Dual circuit ²
	3	Universal Single/Double face		A Aluminum		

¹ Available in EM units only

² Available in AC units only



VPLELRXTEU

THERMOPLASTIC LED EDGELIT EXIT SIGN



STANDARD



OPTIONAL



ILLUMINATION

- Ultra bright, energy efficient, long life Red or Green LED.
- UV-stabilized ultra-clear acrylic edgelit panel provides consistent, uniform illumination.
- Double face utilizes factory installed silver or white mylar background panel.

ELECTRICAL

- Dual 120/277 voltage standard. Optional multi-tap 208/220/240V available.
- Unique bi-color LED indicator light alerts occupant on battery condition (Green-normal, Red-check battery).
- Push-to-test switch for mandated code compliance testing.
- 4.8V long life maintenance-free, rechargeable NiCd battery.
- Internal solid-state transfer switch automatically connects the internal battery to LED board for minimum 90-minute emergency illumination.
- Fully automatic solid-state, two rate charger initiates battery charging to recharge a discharged battery in 24 hours.

MOUNTING

- EZ-snap mounting canopy included for top, end or back mount.

HOUSING

- Injection-molded, engineering grade 5VA, flame retardant, high-impact resistant thermoplastic housing in white or black finish.
- Self-adhesive chevron appliques and guide template provided for directional indication.

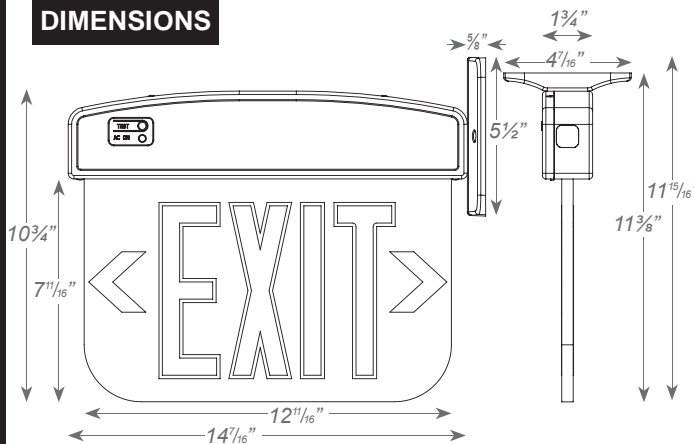
OPTIONS

- Custom: Signs available with requested 'special' wording.
- SDT: Self-diagnostic feature performs monthly, biannual, and annual tests to ensure reliable operation and meet electrical and life safety codes.
- 2C: Dual circuit option on the AC-only unit enables it to be connected to two different (one acting as a back-up to the other) supplies at the same time.
- SPV: UL Listed for special voltage option.

WARRANTY / LISTING

- Five year warranty on all electronics and housing. Battery is pro rated for five years.
- Meets UL924, NFPA 101 Life Safety Code, NEC, OSHA, Local and State Codes.
- UL Listed for damp locations (0°C – 50°C).

DIMENSIONS



ORDERING INFORMATION

Sample Part Number: VPLELRXTEU-1-R-C-A-EM

MODEL	No. of FACES	LETTER COLOR	PANEL	HOUSING COLOR	BATTERY	OPTIONS
VPLELRXTEU	1	Single Face	R Red	C Clear ¹	W White	Blank AC Only
	2	Double Face	G Green	M Mirror	B Black	EM Battery Backup
			W White	A Silver		SDT Self-diagnostics ³
						SPV 208/220/240 Volt, 50/60Hz ²
						Custom Custom Wording
						2C Dual circuit ⁴

1. With single face only
 2. Not available with SDT
 3. Available in EM units only
 4. Available in AC units only

VELXTEU



ALUMINUM LED EDGELIT EXIT SIGN



STANDARD

OPTIONAL



ILLUMINATION

- Ultra bright, energy efficient, long life Red or Green LED.
- UV-stabilized ultra-clear acrylic edgelit panel provides consistent, uniform illumination.
- Double face utilizes factory installed silver or white mylar background panel.

ELECTRICAL

- Dual 120/277 voltage standard. Optional multi-tap 208/220/240 voltage available.
- Charge rate power "ON" LED indicator light and push-to-test switch for mandated code compliance testing.
- 4.8V long life, maintenance-free, rechargeable NiCd battery.
- Internal solid-state transfer switch automatically connects the internal battery to LED board for minimum 90-minute emergency illumination.
- Fully automatic solid-state, two rate charger initiates battery charging to recharge a discharged battery in 24 hours.

MOUNTING

- Aluminum mounting canopy included for top, end or back mount.

HOUSING

- Premium-grade, extruded aluminum housing (also available in black or white powder-coated finishes).
- Self-adhesive chevron appliques and guide template provided for directional indication.

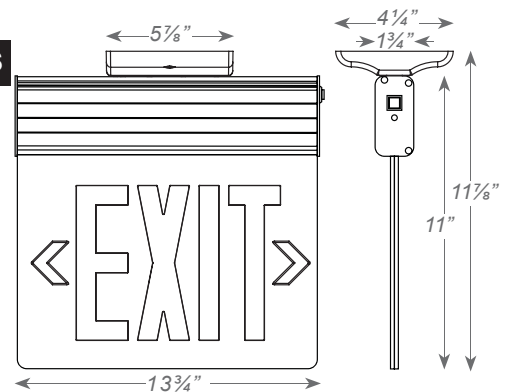
OPTIONS

- SDT: Self-diagnostic feature performs monthly, biannual, and annual tests to ensure reliable operation and meet electrical and life safety codes.
- 2C: Dual circuit option on the AC-only unit enables it to be connected to two different (one acting as a back-up to the other) supplies at the same time.
- Custom: Signs available with requested 'special' wording.
- USA: Substantial transformation assembly in the U.S. complies with "Assembled in the USA" under the Buy American Act.
- SPV: UL Listed for special voltage option.

WARRANTY / LISTING

- Five year warranty on all electronics and housing. Battery pro rated for five years.
- Meets UL924, NFPA 101 Life Safety Code, NEC, OSHA, Local and State Codes.
- UL Listed for damp locations (0°C – 50°C).

DIMENSIONS



ORDERING INFORMATION

Sample Part Number: **VELXTEU-1-R-W-EM-USA**

MODEL	No. of FACES	LETTER COLOR	PANEL	HOUSING COLOR	BATTERY	OPTIONS
VELXTEU	1	Single Face	R Red	C Clear ¹	W White	Blank AC Only
	2	Double Face	G Green	M Mirror	B Black	EM Battery Backup
			W White	A Aluminum		SDT Self-diagnostics ³
						Custom Custom Wording
						2C Dual circuit Operation ⁴
						USA Assembled in USA
						SPV 208/220/240 Volt, 50/60Hz ²

NOTES:

1. With single face only
2. Not available with SDT
3. Available only with EM units
4. Available only with AC units



VNYELXTEU



NEW YORK CITY APPROVED ALUMINUM LED EDGELIT EXIT SIGN

STANDARD

OPTIONAL



ILLUMINATION

- Ultra bright, energy efficient, long life Red LED.
- UV-stabilized ultra-clear acrylic edgelit panel provides consistent, uniform illumination.
- Double face utilizes factory installed silver or white mylar background panel.
- New York City compliant 8" EXIT letters.

ELECTRICAL

- Dual 120/277 voltage standard. Optional multi-tap 208/220/240 voltage available.
- Charge rate/power "ON" LED indicator light and push-to-test switch for mandated code compliance testing.
- 4.8V long life, maintenance-free, rechargeable NiCd battery.
- Internal solid-state transfer switch automatically connects the internal battery to LED board for minimum 90-minute emergency illumination.
- Fully automatic solid-state, two rate charger initiates battery charging to recharge a discharged battery in 24 hours.

MOUNTING

- Aluminum mounting canopy included for top, end or back mount.

HOUSING

- Premium-grade, extruded aluminum housing (also available in black or white powder-coated finishes).
- Self-adhesive chevron appliques and guide template provided for directional indication.

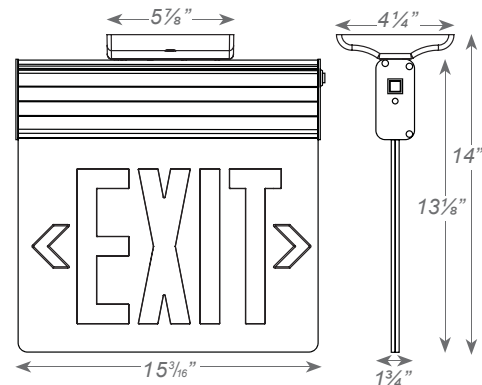
OPTIONS

- SDT: Self-diagnostic feature performs monthly, biannual, and annual tests to ensure reliable operation and meet electrical and life safety codes.
- SPV: UL Listed for special voltage option.

WARRANTY / LISTING

- Five year warranty on all electronics and housing. Battery pro rated for five years.
- Meets UL924, NFPA 101 Life Safety Code, NEC, OSHA, Local and State Codes.
- UL Listed for damp locations (0°C – 50°C).

DIMENSIONS



ORDERING INFORMATION

Sample Part Number: VNYELXTEU-1-R-C-A-EM

MODEL	No. of FACES	LETTER COLOR	PANEL	HOUSING COLOR	BATTERY	OPTIONS	
VNYELXTEU	1	Single Face	R Red	C Clear ¹	W White	Blank AC Only	SDT Self-diagnostics ³
	2	Double Face	M Mirror	B Black	EM Battery Backup	SPV	208/220/240 Volt, 50/60Hz ²
			W White	A Aluminum			

¹ With single face only.
² Not available with SDT options.
³ Available only with EM units.

VRELZXTE



RECESSED ALUMINUM LED EDGELIT EXIT SIGN



ILLUMINATION

- Ultra bright, energy efficient, long life Red or Green LED.
- UV-stabilized ultra-clear acrylic edgelit panel provides consistent, uniform illumination.
- Double face utilizes factory installed silver or white mylar background panel.

ELECTRICAL

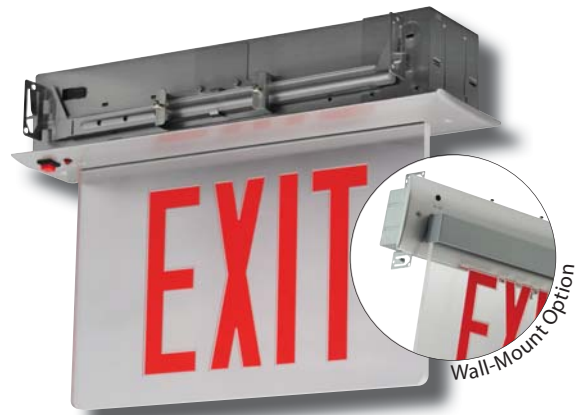
- Dual 120/277 voltage standard. Optional multi-tap 208/220/240 voltage available.
- Charge rate/power "ON" LED indicator light and push-to-test switch for mandated code compliance testing.
- 4.8V long life, maintenance-free, rechargeable NiCd battery.
- Internal solid-state transfer switch automatically connects the internal battery to LED board for minimum 90-minute emergency illumination.
- Fully automatic solid-state, two rate charger initiates battery charging to recharge a discharged battery in 24 hours.

MOUNTING

- Compatible with drywall or drop ceiling mount installations. Bar hangers included.
- Wall mount capability optional.

HOUSING

- Premium-grade, extruded aluminum housing.
- Extruded aluminum trim assembly is easily detachable from below, providing accessibility for service or maintenance. Available in black or white powder-coated finishes.
- Self-adhesive chevron appliques and guide template provided for directional indication.



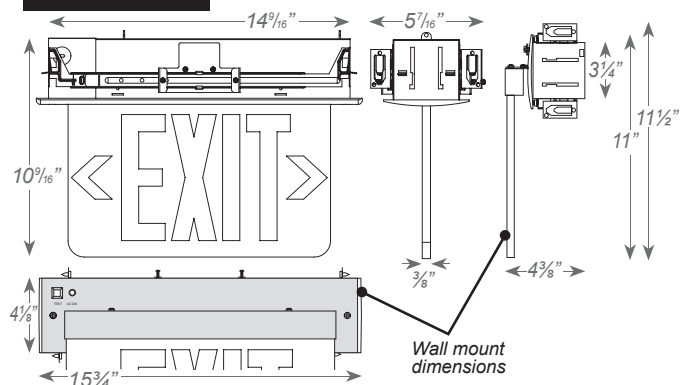
OPTIONS

- SDT: Self-diagnostic feature performs monthly, biannual, and annual tests to ensure reliable operation and meet electrical and life safety codes.
- 2C: Dual circuit option on the AC-only unit enables it to be connected to two different (one acting as a back-up to the other) supplies at the same time.
- Custom: Signs available with requested 'special' wording.
- USA: Substantial transformation assembly in the U.S. complies with "Assembled in the USA" under the Buy American Act.
- SPV: UL Listed for special voltage option.
- WM: Allows for the unit to be wall recessed mounted.

WARRANTY / LISTING

- Five year warranty on all electronics and housing. Battery pro rated for five years.
- Meets UL924, NFPA 101 Life Safety Code, NEC, OSHA, Local and State Codes.
- UL Listed for damp locations (0°C – 50°C).

DIMENSIONS



ORDERING INFORMATION

Sample Part Number: **VRELZXTE-1-R-C-W-EM-USA**

MODEL	No. of FACES	LETTER	PANEL	TRIM PLATE	BATTERY	OPTIONS	
VRELZXTE	1	Single Face	R Red	C Clear ¹	W White	Blank AC Only	Custom Custom Wording
	2	Double Face	G Green	M Mirror	B Black	EM Battery Backup	USA Assembled in USA
			W White	A Aluminum			SDT Self-diagnostics ³
						2C Dual circuit ⁴	
						SPV 208/220/240 Volt, 50/60Hz ²	
						WM Wall Mount ¹	

Notes:

1. With Single face only
2. Not available with SDT
3. Available only with EM units
4. Available only with AC units



VNYRELZXT



NEW YORK CITY APPROVED ALUMINUM RECESSED LED EDGELIT EXIT SIGN

STANDARD

OPTIONAL



ILLUMINATION

- Ultra bright, energy efficient, long life Red LED.
- UV-stabilized, ultra-clear acrylic edgelit panel provides consistent, uniform illumination.
- Double face utilizes factory installed silver or white mylar background panel.
- New York City compliant 8" EXIT letters.

ELECTRICAL

- Dual 120/277 voltage standard. Optional multi-tap 208/220/240 voltage available.
- Charge rate/power "ON" LED indicator light and push-to-test switch for mandated code compliance testing.
- 4.8V Long life, maintenance-free, rechargeable NiCd battery.
- Internal solid-state transfer switch automatically connects the internal battery to LED board for minimum 90-minute emergency illumination.
- Fully automatic solid-state, two rate charger initiates battery charging to recharge a discharged battery in 24 hours.

MOUNTING

- Compatible with drywall or drop ceiling mount installations. Bar hangers included.
- Wall mount capability optional.

HOUSING

- Premium-grade, extruded aluminum housing.
- Extruded aluminum trim assembly is easily detachable from below, providing accessibility for service or maintenance. Available in black or white powder-coated finishes.
- Self-adhesive chevron appliques and guide template provided for directional indication.

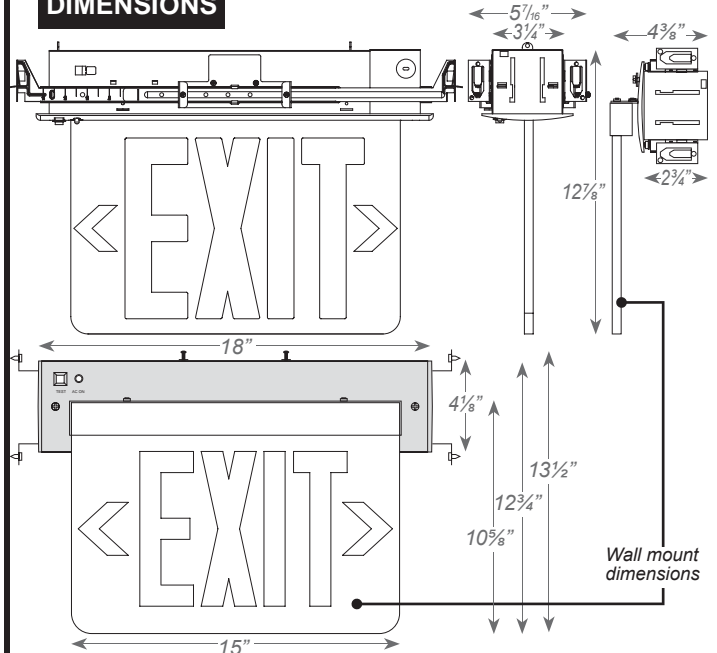
OPTIONS

- SDT: Self-diagnostic feature performs monthly, biannual, and annual tests to ensure reliable operation and meet electrical and life safety codes.
- SPV: UL Listed for special voltage option.
- WM: Allows for the unit to be wall recessed mounted.

WARRANTY / LISTING

- Five year warranty on all electronics and housing. Battery pro rated for five years.
- Meets UL924, NFPA 101 Life Safety Code, NEC, OSHA, Local and State Codes.
- UL Listed for damp locations (0°C – 50°C).

DIMENSIONS



ORDERING INFORMATION

Sample Part Number: **VNYRELZXT-1-R-C-A-EM**

MODEL	No. of FACES	LETTER	PANEL	TRIM PLATE	BATTERY	OPTIONS
VNYRELZXT-1	Single Face	R Red	C Clear ¹	W White	Blank AC Only	SDT Self-diagnostics ³
VNYRELZXT-2	Double Face		M Mirror	B Black	EM Battery Backup	SPV 208/220/240 Volt, 50/60Hz ²
			W White	A Aluminum		WM Wall Mount ¹

Notes:

1. With single face only
2. Not available with SDT options
3. Available on EM units only

VWLEZXTEU



COMPACT WET LOCATION LED EXIT SIGN



STANDARD



OPTIONAL



ILLUMINATION

- Ultra bright, energy efficient, long life Red or Green LED.

ELECTRICAL

- Dual 120/277 voltage.
- Unique bi-color LED indicator light alerts occupant on battery condition (Green-normal, Red-check battery).
- 4.8V long life, maintenance-free, rechargeable NiCd battery.
- Internal solid-state transfer switch automatically connects the internal battery to LED board for minimum 90-minute emergency illumination.
- Fully automatic solid-state, two rate charger initiates battery charging to recharge a discharged battery in 24 hours.

MOUNTING

- Polycarbonate mounting canopy included for top or end mount.
- Universal K/O pattern on back plate for wall mount.

HOUSING

- 5VA flame retardant, UV-stabilized polycarbonate in white, black or gray finish.
- High-impact resistant, UV-stabilized polycarbonate clear lens.
- Corrosion-resistant enclosure with engineering grade silicone gasket.
- Top and side K/O's provided for conduit feed applications.
- EZ snap-out chevron directional indicators.

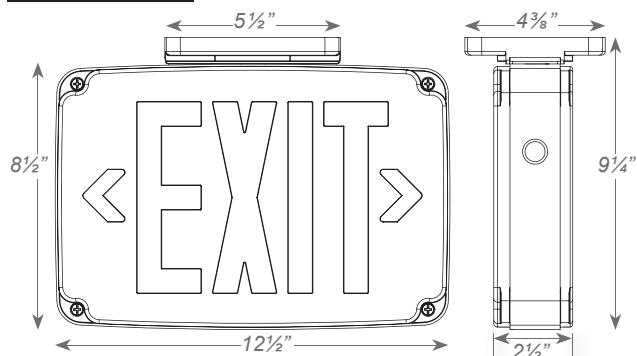
OPTIONS

- SDT: Self-diagnostic feature performs monthly, biannual, and annual tests to ensure reliable operation and meet electrical and life safety codes.
- 2C: Dual circuit option on the AC-only unit enables it to be connected to two different (one acting as a back-up to the other) supplies at the same time.
- TP: Tamper-proof hardware helps prevent unauthorized access to the unit.
- Custom: Signs available with requested "special" wording.

WARRANTY / LISTING

- Five year warranty on all electronics and housing. Battery pro rated for five years.
- Meets UL924, NFPA 101 Life Safety Code, NEC, OSHA, Local and State Codes.
- UL Listed for wet locations (-20°C – 50°C).

DIMENSIONS



ORDERING INFORMATION

Sample Part Number: **VWLEZXTEU-1-R-W-EM-CW**

MODEL	No. of FACES	LETTER COLOR	HOUSING COLOR	BATTERY		OPTIONS
VWLEZXTEU	1 Single Face	R Red	W White (with white faceplate)	Blank AC Only	CW Cold Weather (standard)	SDT Self-diagnostics ¹
	2 Double Face	G Green	B Black (with black faceplate)	EM Battery Backup		TP Tamper-Proof
			G Gray (with white faceplate)			2C Dual circuit ²
						Custom Custom Wording

Special voltage & SALIDA face plate options available. Check with your V.E. Lighting Representative.

¹ Available only with EM units.

² Available only with AC units



VWLXTE



WET LOCATION LED EXIT SIGN

STANDARD

OPTIONAL



ILLUMINATION

- Ultra bright, energy efficient, long life Red or Green LED.

ELECTRICAL

- Dual 120/277 voltage.
- Charge rate/power "ON" LED indicator light and push-to-test switch for mandated code compliance testing.
- 4.8V long life, maintenance-free, rechargeable NiCd battery.
- Internal solid-state transfer switch automatically connects the internal battery to LED board for minimum 90-minute emergency illumination.
- Fully automatic solid-state, two rate charger initiates battery charging to recharge a discharged battery in 24 hours.

MOUNTING

- Mounting hardware provided for back surface wall mount.

HOUSING

- 5VA flame retardant, UV-stabilized polycarbonate gray finish.
- High-impact resistant, UV-stabilized polycarbonate clear lens.
- Corrosion-resistant enclosure with engineering grade silicone gasket.
- Top and side K/O's provided for conduit feed applications.
- EZ snap-out chevron directional indicators.

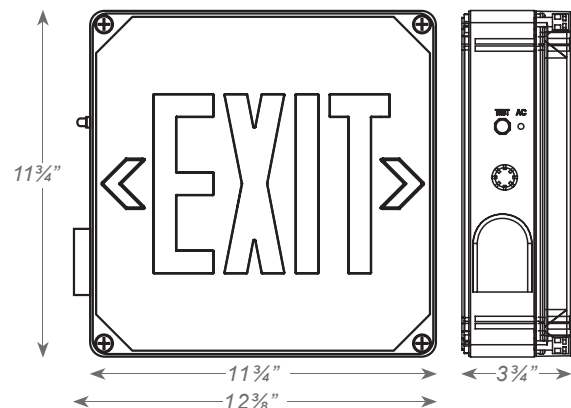
OPTIONS

- HTR: Optional internal heater for cold temperature applications.
- USA: Substantial transformation assembly in the U.S. complies with "Assembled in the USA" under the Buy American Act.

WARRANTY / LISTING

- Five year warranty on all electronics and housing. Battery pro rated for five years.
- Meets UL924, NFPA 101 Life Safety Code, NEC, OSHA, Local and State Codes.
- UL Listed for wet locations (10°C – 40°C).

DIMENSIONS



ORDERING INFORMATION

Special voltage & SALIDA face plate options available. Check with your V.E. Lighting Representative.

MODEL	No. of FACES	LETTER COLOR	BATTERY	OPTIONS
VWLXTE	1 Single Face	R Red	Blank AC Only	HTR Internal Heater ¹
		G Green	EM Battery Backup	USA Assembled in USA

¹ Available only with EM units.

VSXTEU



STEEL LED EXIT SIGN



STANDARD



OPTIONAL

ILLUMINATION

- Ultra bright, energy efficient, long life Red or Green LED.

ELECTRICAL

- Dual 120/277 voltage.
- Charge rate/power "ON" LED indicator light and push-to-test switch for mandated code compliance testing.
- 4.8V long life, maintenance-free, rechargeable NiCd battery.
- Internal solid-state transfer switch automatically connects the internal battery to LED board for minimum 90-minute emergency illumination.
- Fully automatic solid-state, two rate charger initiates battery charging to recharge a discharged battery in 24 hours.

MOUNTING

- Mounting canopy included for top or end mount.
- Universal K/O pattern on back plate for wall mount.

HOUSING

- Durable, powder-coated 20-gauge steel construction in white or black finish.
- Unique design allows double face conversion in the field.
- Field selectable steel knockout chevron directional indicators.

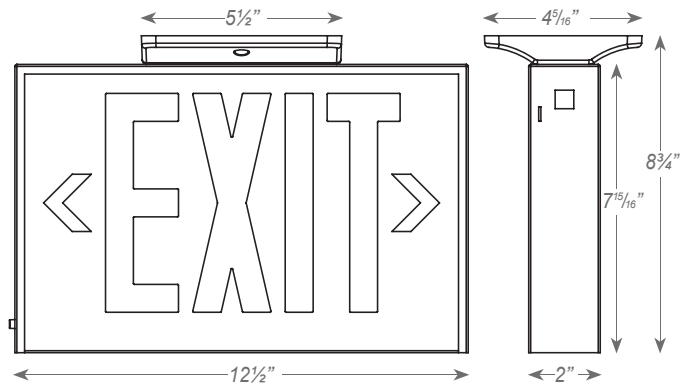
OPTIONS

- SDT: Self-diagnostic feature performs monthly, biannual, and annual tests to ensure reliable operation and meet electrical and life safety codes.

WARRANTY / LISTING

- Five year warranty on all electronics and housing. Battery pro rated for five years.
- Meets UL924, NFPA 101 Life Safety Code, NEC, OSHA, Local and State Codes.
- UL Listed for damp locations (0°C – 50°C).

DIMENSIONS



ORDERING INFORMATION

Sample Part Number: VSXTEU-2-R-W-EM

Special voltage options available. Check with your V.E. Lighting Representative.

MODEL	No. of FACES	LETTER COLOR	HOUSING COLOR	BATTERY	OPTIONS
VSXTEU	1 Single Face	R Red	W White	Blank AC Only	SDT Self-diagnostics ¹
	2 Universal Single/ Double Face	G Green	B Black	EM Battery Backup	

¹ Available only with EM units.



VNYXTEU

NEW YORK CITY APPROVED STEEL LED EXIT SIGN



STANDARD



ILLUMINATION

- Ultra bright, energy efficient, long life Red LED.
- New York City compliant 8" EXIT letters.

ELECTRICAL

- Dual 120/277 voltage.
- Charge rate/power "ON" LED indicator light and push-to-test switch for mandated code compliance testing.
- 3.6V long life, maintenance-free, rechargeable NiCd battery.
- Internal solid-state transfer switch automatically connects the internal battery to LED board for minimum 90-minute emergency illumination.
- Fully automatic solid-state, two rate charger initiates battery charging to recharge a discharged battery in 24 hours.

MOUNTING

- Aluminum mounting canopy included for top or end mount.
- Universal K/O pattern on back plate for wall mount.
- Top and side K/O provided for conduit feed applications.

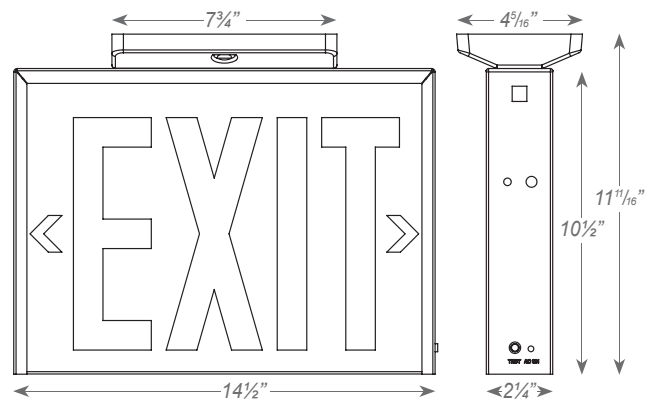
HOUSING

- Durable, powder-coated 20-gauge steel construction in white or black finish.
- Unique design allows double face conversion in the field.
- Field removable steel knockout chevron directional indicators.

WARRANTY / LISTING

- Five year warranty on all electronics and housing. Battery pro rated for five years.
- Meets UL924, NFPA 101 Life Safety Code, NEC, OSHA, Local and State Codes.

DIMENSIONS



ORDERING INFORMATION

Sample Part Number: **VNYXTEU-3-R-W-EM**

MODEL	No. of FACES	LETTER COLOR	HOUSING COLOR	BATTERY
VNYXTEU	1 Single Face	R Red	W White	Blank AC Only
	2 Double Face		B Black	EM Battery Backup
	3 Universal Single/Double Face			



COMBOS



EXIT & EMERGENCY CATALOG

VLEDCXTEU



LED EXIT & EMERGENCY COMBO

STANDARD



OPTIONAL



ILLUMINATION

- Long lasting, efficient ultra bright white LED lamp heads.
- 1 watt (8 LEDs x 0.125W) per head.
- High performance chrome-plated metallized reflector and plastic lens for optimal light distribution.
- Adjustable LED lamp heads provides optimal center-to-center spacing. Optional high-lumen heads are available for increased center-to-center spacing.
- Long life, energy efficient Red or Green LED EXIT sign illumination.

ELECTRICAL

- Dual 120/277 voltage.
- Charge rate/power "ON" LED indicator light and push-to-test switch for mandated code compliance testing.
- 9.6V Long life, maintenance-free, rechargeable NiCd battery.
- Internal solid-state transfer switch automatically connects the internal battery to LED board and LED lamp heads for minimum 90-minute emergency illumination.
- Fully automatic solid-state, two rate charger initiates battery charging to recharge a discharged battery in 24 hours.
- Remote capacity option available.

MOUNTING

- EZ-snap mounting canopy included for top or end mount.
- Universal K/O pattern on back plate for wall mount.

HOUSING

- Injection-molded, engineering grade, 5VA flame retardant, high-impact resistant, thermoplastic in white or black finish.
- EZ snap-out chevron directional indicators.

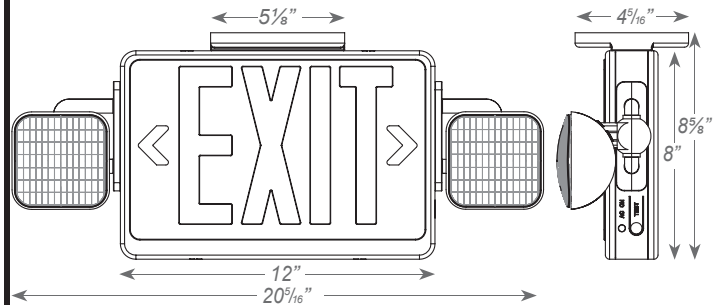
OPTIONS

- HL: 12-LED heads provide increased center-to-center spacing (1.5W per head).
- SDT: Self-diagnostic feature performs monthly, biannual, and annual tests to ensure reliable operation and meet electrical and life safety codes.

WARRANTY / LISTING

- Five year warranty on all electronics and housing. Battery pro rated for five years.
- Meets UL924, NFPA 101 Life Safety Code, NEC, OSHA, Local and State Codes.
- UL Listed for damp locations (0°C – 40°C).

DIMENSIONS



ORDERING INFORMATION

Sample Part Number: **VLEDCXTEU-1-R-W**

Special voltage & SALIDA face plate options available. Check with your V.E. Lighting Representative.

MODEL	No. of FACES	LETTER COLOR	HOUSING COLOR	OPTIONS
VLEDCXTEU	1 Single Face	R Red	W White	RC Remote Capacity
	2 Universal Single/Double Face	G Green	B Black	HL High Lumen
				SDT Self-diagnostics

VCXTEU



LED EXIT & INCANDESCENT EMERGENCY COMBO



STANDARD

OPTIONAL



ILLUMINATION

- Two fully adjustable 5.4W, glare-free lamp heads.
- Smooth thermoplastic reflector and plastic lens for optimal light distribution.
- Ultra bright, energy efficient, long life Red or Green LED EXIT sign illumination.

ELECTRICAL

- Dual 120/277 voltage.
- Charge rate/power "ON" LED indicator light and push-to-test switch for mandated code compliance testing.
- LVD (low voltage disconnect) prevents battery from deep discharge.
- 6V maintenance-free, rechargeable sealed lead acid battery.
- Internal solid-state transfer switch automatically connects the internal battery to LED board and lamp heads for minimum 90-minute emergency illumination.
- Fully automatic solid-state, two rate charger initiates battery charging to recharge a discharged battery in 24 hours.
- Remote capacity option available.

MOUNTING

- EZ-snap mounting canopy included for top or end mount.
- Universal K/O pattern on back plate for wall mount.

HOUSING

- Injection-molded, engineering grade, 5VA flame retardant, high-impact resistant, thermoplastic in white or black finish.
- EZ snap-out chevron directional indicators.

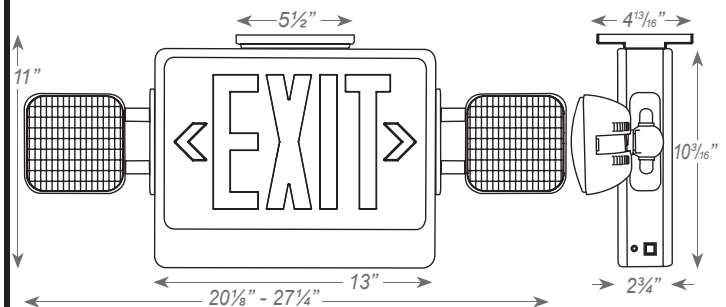
OPTIONS

- SDT: Self-diagnostic feature performs monthly, biannual, and annual tests to ensure reliable operation and meet electrical and life safety codes.
- HTR: Optional internal heater for cold temperature applications.
- USA: Substantial transformation assembly in the U.S. complies with "Assembled in the USA" under the Buy American Act.
- cULus: Units tested to meet requirements of CAN/CSA-c22.2 No. 141-02 standard for unit equipment.

WARRANTY / LISTING

- Five year warranty on all electronics and housing. Battery pro rated for two years.
- Meets UL924, NFPA 101 Life Safety Code, NEC, OSHA, Local and State Codes.
- UL Listed for damp locations (20°C – 40°C).

DIMENSIONS



ORDERING INFORMATION

Sample Part Number: **VCXTEU-2-R-W**

Special voltage & SALIDA face plate options available. Check with your V.E. Lighting Representative.

MODEL	No. of FACES	LETTER COLOR	HOUSING COLOR	OPTIONS
VCXTEU	2	Universal Single/Double Face		
		R Red	W White	RC Remote Capacity
		G Green	B Black	HTR Internal Heater ¹
				SDT Self-diagnostics
				USA Assembled in USA
				cULus cULus Listed

¹ Not available with RC units.

VCLPU



Innovative Compact Lightpipe Design

LIGHTPIPE LED EXIT & EMERGENCY COMBO

STANDARD

OPTIONAL



ILLUMINATION

- Ultra bright, energy efficient white LED emergency lighting.
- 4.5W (36 LEDs x 0.125 watts) per light pipe.
- Adjustable high performance, smooth, chrome-plated, metallized reflector and acrylic, UV-stabilized "Light Pipe" lens for optimal light distribution.
- Long life, energy efficient Red or Green LED EXIT sign illumination.

ELECTRICAL

- Dual 120/277 voltage.
- Charge rate/power "ON" LED indicator light and push-to-test switch for mandated code compliance testing.
- 4.8V long life, maintenance-free, rechargeable NiCd battery.
- Internal solid-state transfer switch automatically connects the internal battery to LED board and LED Light Pipe for minimum 90-minute emergency illumination.
- Fully automatic solid-state, two rate charger initiates battery charging to recharge a discharged battery in 24 hours.
- Remote capable standard.

MOUNTING

- EZ-snap mounting canopy included for top or end mount.
- Universal K/O pattern on back plate for wall mount.

HOUSING

- Injection-molded, engineering grade, 5VA flame retardant, high-impact resistant, thermoplastic in white or black finishes.
- EZ snap-out chevron directional indicators.

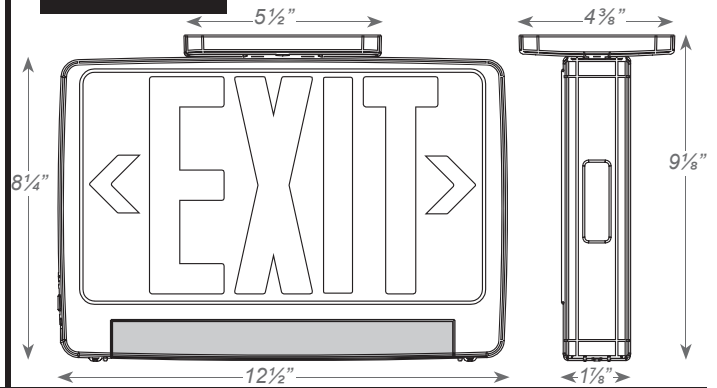
OPTIONS

- SDT: Self-diagnostic feature performs monthly, biannual, and annual tests to ensure reliable operation and meet electrical and life safety codes.
- Custom: Signs available with requested "special" wording.

WARRANTY / LISTING

- Five year warranty on all electronics and housing. Battery pro rated for five years.
- Meets UL924, NFPA 101 Life Safety Code, NEC, OSHA, Local and State Codes.
- UL Listed for damp locations (0°C – 50°C).

DIMENSIONS



ORDERING INFORMATION

Sample Part Number: **VCLPU-1-R-W-RC**

Special voltage & SALIDA face plate options available. Check with your V.E. Lighting Representative.

MODEL	No. of FACES	LETTER COLOR	HOUSING COLOR	OPTIONS					
VCLPU	1	Single Face	R Red	W White	RC	Remote Capable (standaVrd)	SDT	Self-diagnostics	
	2	Universal Single/Double	G Green	B Black			Custom	Custom Wording	



LOW PROFILE ALL LED EXIT & EMERGENCY COMBO

STANDARD



ILLUMINATION

- Adjustable long lasting, efficient ultra bright white LED lamp heads.
- One, 0.5W white LED per lamp head.
- Unique all inclusive lamp, reflector and lens assembly.
- Long-lasting, energy efficient Red or Green LED EXIT sign illumination.

ELECTRICAL

- Dual 120V/277 voltage standard. Optional dual 120V/230V available.
- Unique bi-color LED indicator light alerts occupant on battery condition (Green-normal, Red-check battery).
- 3.6V long life, maintenance-free, rechargeable Ni-Cd battery.
- Internal solid-state transfer switch automatically connects the internal battery to LED board and LED lamp heads for minimum 90-minute emergency illumination.
- Fully automatic solid-state, two rate charger initiates battery charging to recharge a discharged battery in 24 hours.
- Remote capacity option available.

MOUNTING

- EZ-snap thermoplastic mounting canopy included – provides top or end mount.
- Universal K/O pattern on back plate for wall mount.

HOUSING

- Injection-molded, engineering grade, 5VA flame retardant, high-impact, thermoplastic in white or black finish.

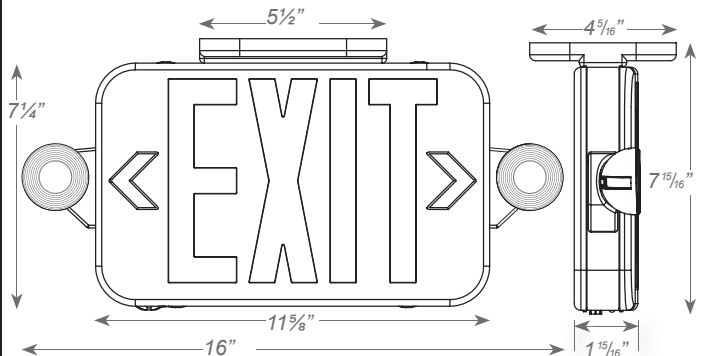
OPTIONS

- SPV: UL Listed for special voltage option.

WARRANTY / LISTING

- One year warranty on all electronics and housing.
- UL Listed for damp locations (0°C – 30°C).
- Meets UL924, NFPA 101 Life Safety Code, NEC, OSHA, Local and State Codes.

DIMENSIONS



ORDERING INFORMATION

Sample Part Number: **VCEU-3-R-W**

MODEL	FACE	LETTER COLOR	HOUSING COLOR	OPTIONS
VCEU	3 Universal Single/Double	R Red G Green	W White B Black	RC Remote Capacity SPV 120/230 Volt 50/60Hz



VCWLXTE



WET LOCATION LED EXIT SIGN & INCANDESCENT COMBO

STANDARD		OPTIONAL

ILLUMINATION

- Two fully adjustable 5.4W, glare-free incandescent lamp heads.
- High performance reflector and tempered glass lens for optimal light distribution.
- Ultra bright, energy efficient, long life Red or Green LED EXIT sign illumination.

ELECTRICAL

- Dual 120/277 voltage.
- Charge rate/power "ON" LED indicator light and push-to-test switch for mandated code compliance testing.
- 6V long life, maintenance-free, rechargeable NiCd battery.
- Internal solid-state transfer switch automatically connects the internal battery to LED board and lamp heads for minimum 90-minute emergency illumination.
- Fully automatic solid-state, two rate charger initiates battery charging to recharge a discharged battery in 24 hours.

MOUNTING

- Mounting hardware provided for back surface wall mount.

HOUSING

- 5VA flame retardant, UV-stabilized polycarbonate gray finish.
- High-impact resistant, UV-stabilized polycarbonate clear lens.
- Corrosion-resistant enclosure engineering grade silicone gasket.
- Top and side K/O's provided for conduit feed applications.
- EZ snap-out chevron directional indicators.

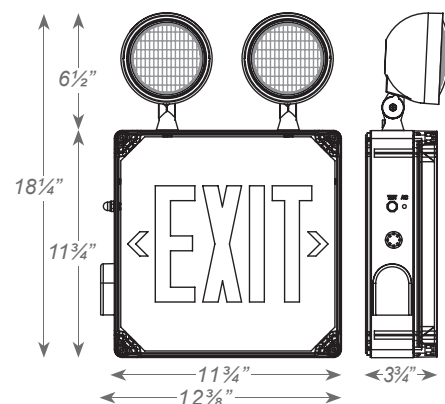
OPTIONS

- HTR: Optional internal heater for cold temperature applications.

WARRANTY / LISTING

- Five year warranty on all electronics and housing. Battery pro rated for five years.
- Meets UL924, NFPA 101 Life Safety Code, NEC, OSHA, Local and State Codes.

DIMENSIONS



ORDERING INFORMATION

Sample Part Number: VCWLXTE-1-R-EM

Special voltage & SALIDA face plate options available. Check with your V.E. Lighting Representative.

MODEL	No. of FACES	LETTER COLOR	BATTERY	OPTIONS
VCWLXTE	1 Single Face	R Red G Green	EM Battery Backup (standard)	HTR Internal Heater

VCNYXTE



NEW YORK CITY APPROVED LED EXIT & INCANDESCENT EMERGENCY COMBO

STANDARD



ILLUMINATION

- Two fully adjustable 12W, glare-free lamp heads with field installable 3rd emergency lighting head included.
- K/Os provided on sides of unit to relocate lamp heads.
- High performance smooth metal reflector and glass lens for optimal light distribution.
- Ultra bright, energy efficient, long life Red LED.
- New York City compliant 8" EXIT letters.

ELECTRICAL

- Dual 120/277 voltage.
- Charge rate/power "ON" LED indicator light and push-to-test switch for mandated code compliance testing.
- LVD (low voltage disconnect) prevents battery from deep discharge.
- 6V maintenance-free, rechargeable sealed lead acid battery.
- Internal solid-state transfer switch automatically connects the internal battery to LED board and lamp heads for minimum 90-minute emergency illumination.
- Fully automatic solid-state, two rate charger initiates battery charging to recharge a discharged battery in 24 hours.

MOUNTING

- Mounting hardware provided for back surface wall mount.
- Top and side K/Os provided for conduit feed applications.

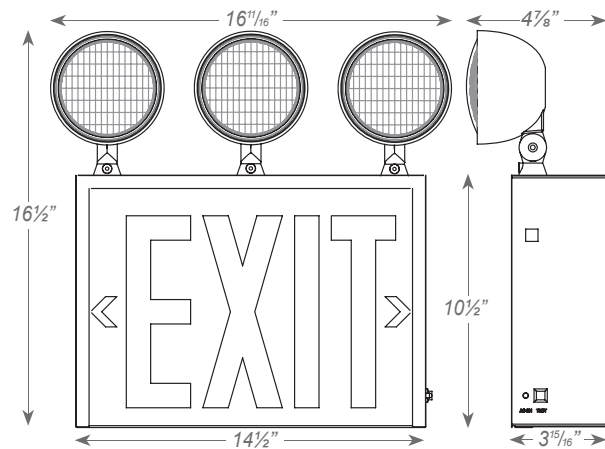
HOUSING

- Durable, powder-coated 20-gauge steel construction in white or black finish.
- Injection-molded, engineering grade, high-impact, thermoplastic heads.
- Field removable steel knockout chevron directional indicators on exit face.

WARRANTY / LISTING

- Five year warranty on all electronics and housing. Battery pro rated for two years.
- Meets UL924, NFPA 101 Life Safety Code, NEC, OSHA, Local and State Codes.

DIMENSIONS



ORDERING INFORMATION

Sample Part Number: VCNYXTE-1-R-W-3

MODEL	No. of FACES	LETTER COLOR	HOUSING COLOR	No. of HEADS
VCNYXTE	1 Single Face	R Red	W White B Black	3 Standard NHH Heads



VCKXTEU

DIE-CAST ALUMINUM LED EXIT & EMERGENCY COMBO

STANDARD



ILLUMINATION

- Ultra bright, energy efficient, long life Red or Green LED.
- High performance premium grade, ultra bright white LED lamps.
- 3W (1 LED x 3 watts) per head.

ELECTRICAL

- Dual 120/277 voltage.
- Charge rate/power "ON" LED indicator light and push-to-test switch for mandated code compliance testing.
- 8.4V long life, maintenance-free, rechargeable NiCd battery.
- Internal solid-state transfer switch automatically connects the internal battery to LED board and LED lamp heads for minimum 90-minute emergency illumination.
- Fully automatic solid-state, two rate charger initiates battery charging to recharge a discharged battery in 24 hours.
- Remote capacity available as an option.

MOUNTING

- Aluminum mounting canopy included for top or end mount.
- Universal K/O pattern on back plate for wall mount.

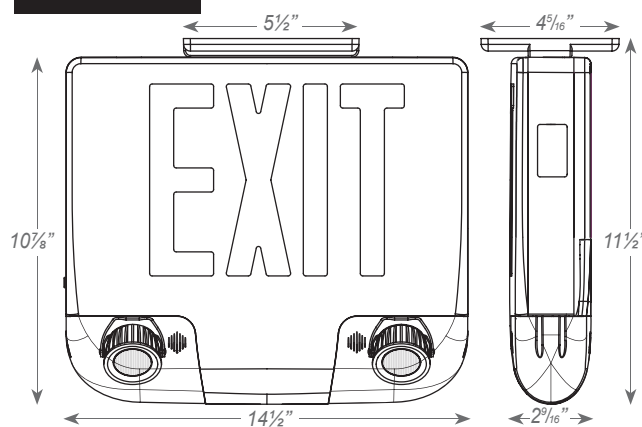
HOUSING

- First premium grade die-cast combo in the market. Unique new design provides spec grade EXIT sign with LED lamp heads in one low profile housing.
- Premium-grade, extruded aluminum housing (also available in black or white powder-coated finishes).
- Field selectable knockout chevron directional indicators.
- Quick-snap face plate closure.
- Unique design allows double face conversion in the field.

WARRANTY / LISTING

- Five year warranty on all electronics and housing. Battery pro rated for five years.
- Meets UL924, NFPA 101 Life Safety Code, NEC, OSHA, Local and State Codes.
- UL Listed for damp locations (0°C – 50°C).

DIMENSIONS



ORDERING INFORMATION

Sample Part Number: VCKXTEU-1-R-A-A-EM

Special voltage options available. Check with your V.E. Lighting Representative.

MODEL	No. of FACES	LETTER COLOR	HOUSING COLOR	BATTERY	OPTIONS
VCKXVTEU	1	R Red	W White	EM Battery Backup	RC Remote Capacity
	2	G Green	B Black		
	3	Universal Single/Double Face	A Aluminum		

EMERGENCY LIGHTING





VLEDR-1

LED EMERGENCY UNIT



STANDARD



OPTIONAL



ILLUMINATION

- Long lasting, efficient, ultra bright white LED lamp heads.
- 1W (8 LEDs x 0.125 watt) per head.
- High performance chrome-plated metallized reflector and plastic lens for optimal light distribution.
- Adjustable LED lamp heads provide optimal center-to-center spacing. High-lumen option available for increased center-to-center spacing.

ELECTRICAL

- Dual 120/277 voltage standard. Optional multi-tap 208/220/240 voltage available.
- Charge rate/power "ON" LED indicator light and push-to-test switch for mandated code compliance testing.
- 3.6V long life, maintenance-free, rechargeable NiCd battery.
- Internal solid-state transfer switch automatically connects the internal battery to LED lamp heads for minimum 90-minute emergency illumination.
- Fully automatic solid-state, two rate charger initiates battery charging to recharge a discharged battery in 24 hours.

MOUNTING

- Surface mount via easy connect back plate, which fits most standard junction boxes and snaps into place making internal electrical connections.
- Top and side knockout for conduit applications.
- Suitable for wall or ceiling mount.

HOUSING

- Injection-molded, engineering grade, 5VA flame retardant, high-impact resistant, thermoplastic in white or black finish.

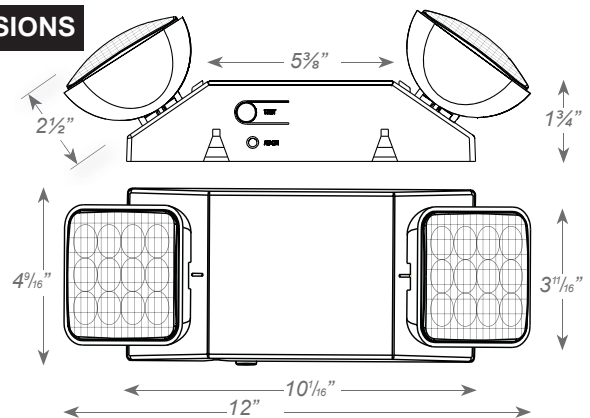
OPTIONS

- SDT: Self-diagnostic feature performs monthly, biannual, and annual tests to ensure reliable operation and meet electrical and life safety codes.
- HL: 12-LEDs per head provide increased center-to-center spacing.
- SPV: UL Listed for special voltage option.

WARRANTY / LISTING

- Five year warranty on all electronics and housing. Batteries pro rated for five years.
- UL Listed for damp locations (0°C – 50°C).
- Meets UL924, NFPA 101 Life Safety Code, NEC, OSHA, Local and State Codes.

DIMENSIONS



ORDERING INFORMATION

Sample Part Number: VLEDR-1

MODEL	HOUSING COLOR		OPTIONS	
VLEDR-1	Blank	White	SDT	Self-diagnostics
	B	Black	SPV	208/220/240 Volt, 50/60Hz ¹
			HL	High-Lumen

1. Not available with SDT options.

VLEDR5HO



REMOTE CAPABLE LED EMERGENCY UNIT



STANDARD

OPTIONAL



ILLUMINATION

- Long lasting, efficient, ultra bright white LED lamp heads.
- 1W (8 LEDs x 0.125) per head.
- High performance chrome-plated metallized reflector and plastic lens for optimal light distribution.
- Adjustable LED lamp heads provides optimal center-to-center spacing. High-lumen option available for increased center-to-center spacing.

ELECTRICAL

- Dual 120/277 voltage standard. Optional multi-tap 208/220/240 voltage available.
- Remote capacity standard.
- Charge rate/power "ON" LED indicator light and push-to-test switch for mandated code compliance testing.
- 3.6V long life, maintenance-free, rechargeable NiCd battery.
- Internal solid-state transfer switch automatically connects the internal battery to LED lamp heads for minimum 90-minute emergency illumination.
- Fully automatic solid-state, two rate charger initiates battery charging to recharge a discharged battery in 24 hours.

MOUNTING

- Surface mount via easy connect back plate, which fits most standard junction boxes and snaps into place making internal electrical connections.
- Top and side knockout for conduit applications.
- Suitable for wall or ceiling mount.

HOUSING

- Injection-molded, engineering grade, 5VA flame retardant, high-impact resistant, thermoplastic in white or black finish.

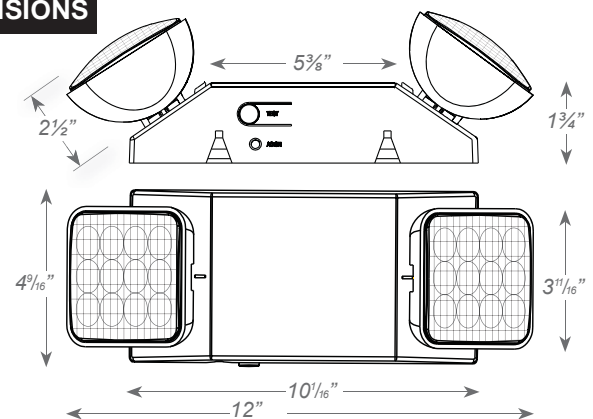
OPTIONS

- SDT: Self-diagnostic feature performs monthly, biannual, and annual tests to ensure reliable operation and meet electrical and life safety codes.
- HL: 12-LEDs per head provide increased center-to-center spacing.
- SPV: UL Listed for special voltage option.

WARRANTY / LISTING

- Five year warranty on all electronics and housing. Battery pro rated for five years.
- Meets UL924, NFPA 101 Life Safety Code, NEC, OSHA, Local and State Codes.
- UL Listed for damp locations (0°C – 50°C).

DIMENSIONS



ORDERING INFORMATION

Sample Part Number: **VLEDR5HO**

MODEL	HOUSING COLOR		OPTIONS	
VLEDR5HO	Blank	White	SDT	Self-Diagnostics
	B	Black	HL	High-Lumen
			SPV	208/220/240 volt, 50/60 Hz ¹

¹ Not available with SDT options.



VR-1

INCANDESCENT EMERGENCY UNIT



STANDARD

OPTIONAL



ILLUMINATION

- Two fully adjustable 5.4W glare-free lamp heads.
- Smooth thermoplastic reflector and plastic lens for optimal light distribution.

ELECTRICAL

- Dual 120/277 voltage.
- Charge rate/power "ON" LED indicator light and push-to-test switch for mandated code compliance testing.
- LVD (low voltage disconnect) prevents battery from deep discharge.
- 6V maintenance-free, rechargeable sealed lead acid battery.
- Internal solid-state transfer switch automatically connects the internal battery to lamp heads for minimum 90-minute emergency illumination.
- Fully automatic solid-state, two rate charger initiates battery charging to recharge a discharged battery in 24 hours.

MOUNTING

- Surface mount via easy connect back plate, which fits most standard junction boxes and snaps into place making internal electrical connections.
- Top and back K/O available for conduit application.
- Suitable for wall mount.

HOUSING

- Injection-molded, engineering grade, 5VA flame retardant, high-impact resistant, thermoplastic in white or black finish.

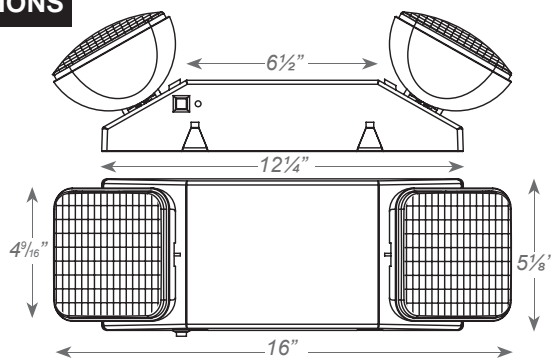
OPTIONS

- SDT: Self-diagnostic feature performs monthly, biannual, and annual tests to ensure reliable operation and meet electrical and life safety codes.
- HTR: Optional internal heater for cold temperature applications.
- USA: Substantial transformation assembly in the U.S. complies with "Assembled in the USA" under the Buy American Act.
- NC: Long life 6V maintenance-free, rechargeable NiCD battery.
- cULus: Units tested to meet requirements of CAN/CSA-c22.2 No. 141-02 standard for unit equipment.

WARRANTY / LISTING

- Five year warranty on all electronics and housing. Batteries pro rated for two years.
- Meets UL924, NFPA 101 Life Safety Code, NEC, OSHA, Local and State Codes.
- UL Listed for damp locations (20°C – 50°C).

DIMENSIONS



ORDERING INFORMATION

Sample Part Number: VR-1

MODEL	HOUSING COLOR		OPTIONS	
VR-1	Blank	White	SDT	Self-diagnostics
	B	Black	NC	NiCad Battery
			HTR	Internal Heater
			USA	Assembled in USA
			cULus	cULus Listed

Special voltage options available. Check with your V.E. Lighting Representative.

VR-5HO



REMOTE CAPABLE INCANDESCENT EMERGENCY UNIT

STANDARD

OPTIONAL



ILLUMINATION

- Two fully adjustable 5.4W, glare-free lamp heads.
- Smooth plastic reflector and lens for optimal light distribution.

ELECTRICAL

- Dual 120/277 voltage.
- Remote capacity standard.
- Charge rate/power "ON" LED indicator light and push-to-test switch for mandated code compliance testing.
- LVD (low voltage disconnect) prevents battery from deep discharge.
- 6V maintenance-free, rechargeable sealed lead acid battery.
- Internal solid-state transfer switch automatically connects the internal battery to lamp heads for minimum 90-minute emergency illumination.
- Fully automatic solid-state, two rate charger initiates battery charging to recharge a discharged battery in 24 hours.

MOUNTING

- Surface mount via easy connect back plate, which fits most standard junction boxes and snaps into place making internal electrical connections.
- Top and back K/O for conduit applications.
- Suitable for wall mount.

HOUSING

- Injection-molded, engineering grade, 5VA flame retardant, high-impact resistant, thermoplastic in white or black finish.

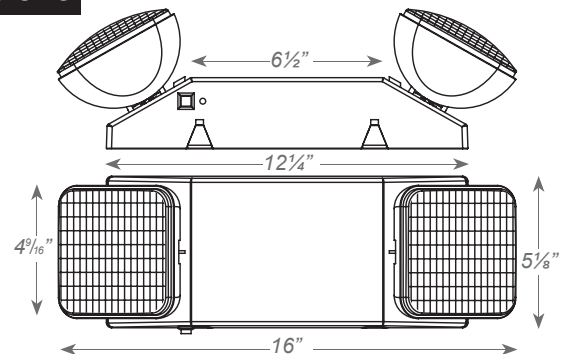
OPTIONS

- SDT: Self-diagnostic feature performs monthly, biannual, and annual tests to ensure reliable operation and meet electrical and life safety codes.
- USA: Substantial transformation assembly in the U.S. complies with "Assembled in the USA" under the Buy American Act.

WARRANTY / LISTING

- Five year warranty on all electronics and housing. Battery pro rated for two years.
- Meets UL924, NFPA 101 Life Safety Code, NEC, OSHA, Local and State Codes.
- UL Listed for damp locations (20°C – 40°C).

DIMENSIONS



ORDERING INFORMATION

Sample Part Number: VR-5HO

MODEL	HOUSING COLOR		OPTIONS	
VR-5HO	Blank	White	SDT	Self-Diagnostics
	B	Black	USA	Assembled in USA



VE-1

LED LOW PROFILE THERMOPLASTIC EMERGENCY UNIT

STANDARD



ILLUMINATION

- Adjustable long lasting, efficient, ultra bright white LED lamp heads.
- One, 0.5W white LED per lamp head.
- Unique all-inclusive lamp, reflector and lens assembly.

ELECTRICAL

- Dual 120/277 voltage standard. Optional dual 120/230 voltage available.
- Unique bi-color LED indicator light alerts occupant on battery condition (Green-normal, Red-check battery).
- 3.6V long life, maintenance-free, rechargeable Ni-Cd battery.
- Internal solid-state transfer switch automatically connects the internal battery to LED lamp heads for minimum 90-minute emergency illumination.
- Fully automatic solid-state, two rate charger initiates battery charging to recharge a discharged battery in 24 hours.

MOUNTING

- Surface mount back plate fits most standard size junction boxes and snaps into place.
- Suitable for wall or ceiling mount.

HOUSING

- Injection-molded, engineering grade, 5VA flame retardant, high-impact resistant, thermoplastic in white or black finish.

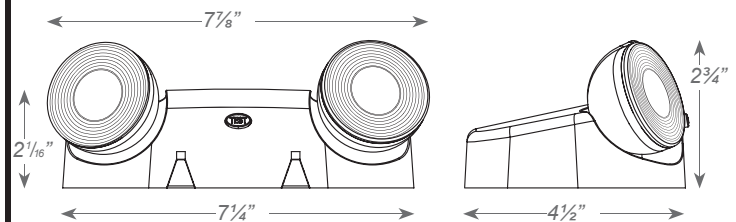
OPTIONS

- SPV: UL Listed for special voltage option.

WARRANTY / LISTING

- One year warranty on all electronics and housing.
- UL Listed for damp locations (0°C – 30°C).
- Meets UL924, NFPA 101 Life Safety Code, NEC, OSHA, Local and State Codes.

DIMENSIONS



ORDERING INFORMATION

Sample Part Number: VE-1

MODEL	HOUSING COLOR		OPTIONS	
VE-1	Blank	White	RC	Remote Capacity
	B	Black	SPV	120/230 Volt 50/60Hz

VLEDR-2



ADJUSTABLE OPTICS LED EMERGENCY UNIT



STANDARD



ILLUMINATION

- Long life, efficient, ultra bright white LED lamp heads.
- 1W (8 LEDs x 0.125W) per head.
- High performance, chrome-plated metallized reflector and plastic lens for optimal light distribution.
- Two adjustable LED lamp heads provide optimal center-to-center spacing.

ELECTRICAL

- Dual 120/277 voltage standard. Optional multi-tap 208/220/240 voltage available.
- Charge rate/power "ON" LED indicator light and push-to-test switch for mandated code compliance testing.
- 3.6V long life, maintenance-free, rechargeable NiCd battery.
- Internal solid-state transfer switch automatically connects the internal battery to LED lamp heads for minimum 90-minute emergency illumination.
- Fully automatic solid-state, two rate charger initiates battery charging to recharge a discharged battery in 24 hours.

MOUNTING

- Surface mount via easy connect back plate, which fits most standard junction boxes and snaps into place making internal electrical connections.
- Top and side knockout for conduit applications.
- Suitable for wall or ceiling mount.

HOUSING

- Injection-molded, engineering grade, 5VA flame retardant, high-impact resistant, thermoplastic in white or black finish.

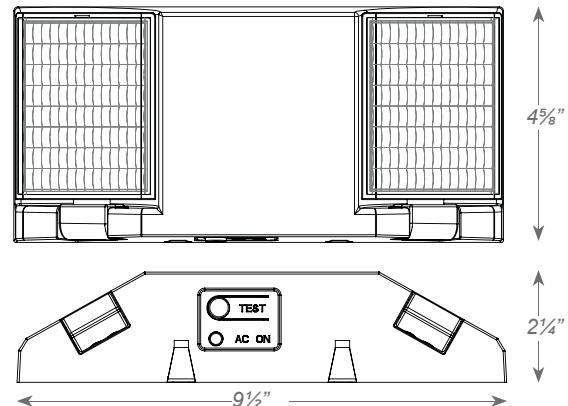
OPTIONS

- SPV: UL Listed for special voltage option.

WARRANTY / LISTING

- Five year warranty on all electronics and housing. Battery pro rated for five years.
- Meets UL924, NFPA 101 Life Safety Code, NEC, OSHA, Local and State Codes.
- UL Listed for damp locations (0°C – 50°C).

DIMENSIONS



ORDERING INFORMATION

Sample Part Number: VLEDR-2

MODEL	HOUSING COLOR		OPTIONS	
VLEDR-2	Blank	White	SPV	208/220/240 Volt, 50/60Hz
	B	Black		



VR-2

FIXED OPTICS INCANDESCENT EMERGENCY UNIT

STANDARD



ILLUMINATION

- Two fixed optics 5.4W glare-free lamp heads.
- Smooth thermoplastic reflector and plastic lens for optimal light distribution.

ELECTRICAL

- Dual 120/277 voltage.
- Charge rate/power "ON" LED indicator light and push-to-test switch for mandated code compliance testing.
- 6V maintenance-free, rechargeable sealed lead acid battery.
- Internal solid-state transfer switch automatically connects the internal battery to lamp heads for minimum 90-minute emergency illumination.
- Fully automatic solid-state, two rate charger initiates battery charging to recharge a discharged battery in 24 hours.
- LVD (Low voltage disconnect) prevents battery from deep discharge.

MOUNTING

- Surface mount via easy connect back plate, which fits most standard junction boxes and snaps into place making internal electrical connections.
- Suitable for wall mount.

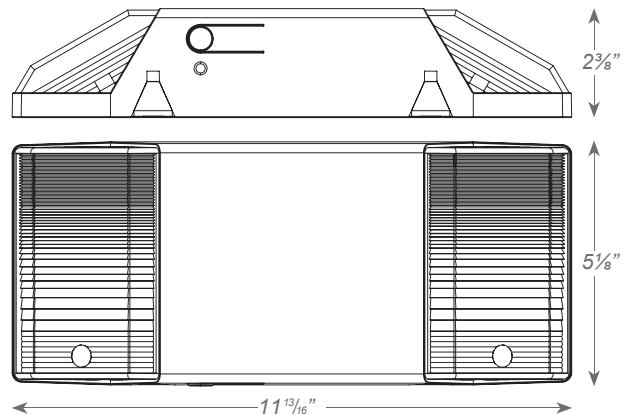
HOUSING

- Injection-molded, engineering grade, 5VA flame retardant, high-impact resistant, thermoplastic in white or black finish.

WARRANTY / LISTING

- Five year warranty on all electronics and housing. Battery pro rated for two years.
- Meets UL924, NFPA 101 Life Safety Code, NEC, OSHA, Local and State Codes.
- ETL Listed for damp locations (20°C – 50°C).

DIMENSIONS



ORDERING INFORMATION

Sample Part Number: VR-2

MODEL	HOUSING COLOR	
VR-2	Blank	White B
		Black

Special voltage options available. Check with your V.E. Lighting Representative.

VLEDRX-5HL



HIGH LUMEN LED EMERGENCY UNIT



STANDARD



ILLUMINATION

- Long lasting, efficient ultra bright white LED lamp heads.
- 1.7W (8 LEDs x 0.2125) per head.
- High performance chrome-plated metallized reflector and plastic lens for optimal light distribution.
- Adjustable LED lamp heads provides optimal center-to-center spacing.

ELECTRICAL

- Dual 120/277 voltage standard.
- Charge rate/power "ON" LED indicator light and push-to-test switch for mandated code compliance testing.
- 3.6V long life, maintenance-free, rechargeable NiCd battery.
- Internal solid-state transfer switch automatically connects the internal battery to LED lamp heads for minimum 90-minute emergency illumination.
- Fully automatic solid-state, two rate charger initiates battery charging to recharge a discharged battery in 24 hours.

MOUNTING

- Surface mount via quick-connect back plate fits most standard size junction boxes and snaps into place to make internal electrical connections.
- Top and side knockout for conduit applications.
- Suitable for wall or ceiling mount.

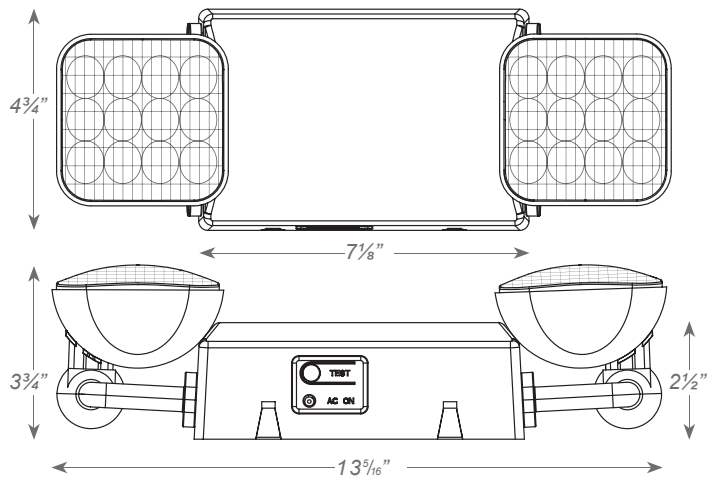
HOUSING

- Injection-molded, engineering grade, 5VA flame retardant, high-impact resistant, thermoplastic in white or black finish.

WARRANTY / LISTING

- Five year warranty on all electronics and housing. Battery pro rated for five years.
- Meets UL924, NFPA 101 Life Safety Code, NEC, OSHA, Local and State Codes.
- UL Listed for damp locations. (0°C – 50°C)

DIMENSIONS



ORDERING INFORMATION

Sample Part Number: **VLEDRX-5HL**

MODEL	HOUSING COLOR	
VLEDRX-5HL	Blank	White B Black



VR-16



MR-16 EMERGENCY UNIT

STANDARD		OPTIONAL			

ILLUMINATION

- Two fully adjustable, 5W, MR-16 halogen lamp heads standard.
- Optional 3.3W white LED lamp heads.

ELECTRICAL

- Dual 120/277 voltage.
- Charge rate/power "ON" LED indicator light and push-to-test switch for mandated code compliance testing.
- LVD (low voltage disconnect) prevents battery from deep discharge.
- 6V maintenance-free, rechargeable sealed lead acid battery.
- Internal solid-state transfer switch automatically connects the internal battery to lamp heads for minimum 90-minute emergency illumination.
- Fully automatic solid-state, two rate charger initiates battery charging to recharge a discharged battery in 24 hours.

MOUNTING

- Surface mount via easy connect back plate, which fits most standard junction boxes and snaps into place making internal electrical connections.
- Top and side knockout for conduit applications.
- Suitable for wall mount.

HOUSING

- Injection-molded, engineering grade, 5VA flame retardant, high-impact resistant, thermoplastic in white or black finish.

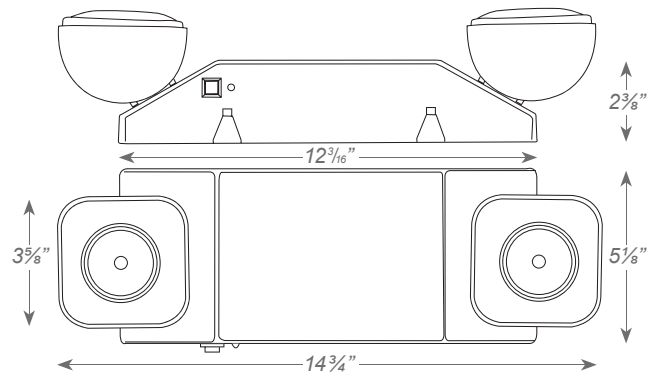
OPTIONS

- SDT: Self-diagnostic feature performs monthly, biannual, and annual tests to ensure reliable operation and meet electrical and life safety codes.
- HTR: Optional internal heater for cold temperature applications.
- USA: Substantial transformation assembly in the U.S. complies with "Assembled in the USA" under the Buy American Act.
- LED: 3.3W high performance MR-16 base LED lamps.

WARRANTY / LISTING

- Five year warranty on all electronics and housing. Battery pro rated for two years.
- Meets UL924, NFPA 101 Life Safety Code, NEC, OSHA, Local and State Codes.
- UL Listed for damp locations (20°C – 40°C).

DIMENSIONS



ORDERING INFORMATION

Sample Part Number: VR-16

MODEL	HOUSING COLOR		OPTIONS	
VR-16	Blank	White	SDT	Self-Diagnostics
	B	Black	HTR	Internal Heater
			USA	Assembled in USA
			LED	3.3W High Lumen White LED Lamp

Special voltage options available. Check with your V.E. Lighting Representative.



VR-16HO

REMOTE CAPABLE MR-16 EMERGENCY UNIT



STANDARD

OPTIONAL



ILLUMINATION

- Two fully adjustable 5W, MR-16 halogen lamp heads standard.
- Optional 3.3W white LED lamp heads.

ELECTRICAL

- Offers 10W of remote capacity (6V DC output) when using standard 5W halogen lamps and 13W of remote capacity (6V DC output) when using optional 3.3W LED lamps.
- Dual 120/277 voltage.
- Charge rate/power "ON" LED indicator light and push-to-test switch for mandated code compliance testing.
- LVD (low voltage disconnect) prevents battery from deep discharge.
- 6V maintenance-free, rechargeable sealed lead acid battery.
- Internal solid-state transfer switch automatically connects the internal battery to lamp heads for minimum 90-minute emergency illumination.
- Fully automatic solid-state, two rate charger initiates battery charging to recharge a discharged battery in 24 hours.

MOUNTING

- Surface mount via easy connect back plate, which fits most standard junction boxes and snaps into place making internal electrical connections.
- Top and side knockout for conduit applications.
- Suitable for wall mount.

HOUSING

- Injection-molded, engineering grade, 5VA flame retardant, high-impact resistant, thermoplastic in white or black finish.

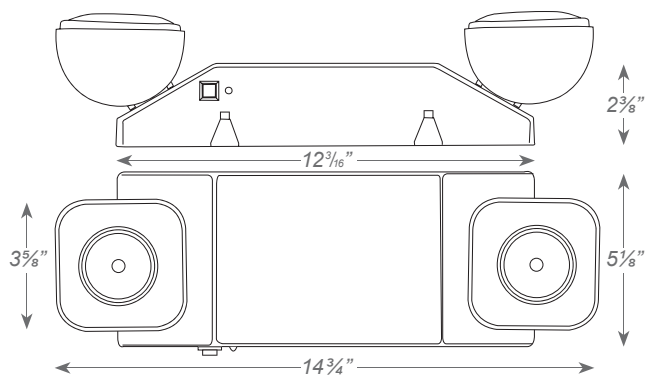
OPTIONS

- **SDT:** Self-diagnostic feature performs monthly, biannual, and annual tests to ensure reliable operation and meet electrical and life safety codes.
- **USA:** Substantial transformation assembly in the U.S. complies with "Assembled in the USA" under the Buy American Act.
- **LED:** 3.3W high performance MR-16 base LED lamps.

WARRANTY / LISTING

- Five year warranty on all electronics and housing. Battery pro rated for two years.
- Meets UL924, NFPA 101 Life Safety Code, NEC, OSHA, Local and State Codes.
- UL Listed for damp locations (20°C – 40°C).

DIMENSIONS



ORDERING INFORMATION

Sample Part Number: **VR-16HO**

MODEL	HOUSING COLOR		OPTIONS	
VR-16HO	Blank	White	LED	3.3W High Lumen White LED Lamp
	B	Black	USA	Assembled in USA
			SDT	Self-Diagnostics

Special voltage options available. Check with your V.E. Lighting Representative.



VRMR-16

SEMI-RECESSED MR-16 EMERGENCY UNIT



STANDARD



OPTIONAL



ILLUMINATION

- Two fully adjustable ultra bright, round, 7W MR-16 halogen lamp heads standard.
- Optional 3.3W white LED lamp heads.

ELECTRICAL

- Dual 120/277 voltage.
- Charge rate/power "ON" LED indicator light and push-to-test switch for mandated code compliance testing.
- LVD (low voltage disconnect) prevents battery from deep discharge.
- 6V maintenance-free, rechargeable sealed lead acid battery.
- Internal solid-state transfer switch automatically connects the internal battery to lamp heads for minimum 90-minute emergency illumination.
- Fully automatic solid-state, two rate charger initiates battery charging to recharge a discharged battery in 24 hours.

MOUNTING

- Surface mount via easy connect back plate, which fits most standard junction boxes and snaps into place making internal electrical connections.
- Top and side knockout for conduit applications.
- Suitable for wall mount.

HOUSING

- Injection-molded, engineering grade, 5VA flame retardant, high-impact resistant, thermoplastic in white or black finish.

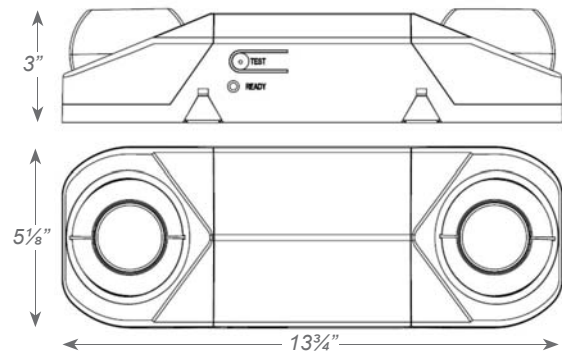
OPTIONS

- USA: Substantial transformation assembly in the U.S. complies with "Assembled in the USA" under the Buy American Act.
- LED: 3.3W high performance MR-16 base LED Lamps.

WARRANTY / LISTING

- Five year warranty on all electronics and housing. Battery pro rated for two years.
- Meets UL924, NFPA 101 Life Safety Code, NEC, OSHA, Local and State Codes.
- UL Listed for damp locations (20°C – 40°C).

DIMENSIONS



ORDERING INFORMATION

Sample Part Number: **VRMR-16**

MODEL	HOUSING COLOR		OPTIONS	
VRMR-16	Blank	White	LED	3.3W High Lumen White LED Lamp
	B	Black	USA	Assembled in USA

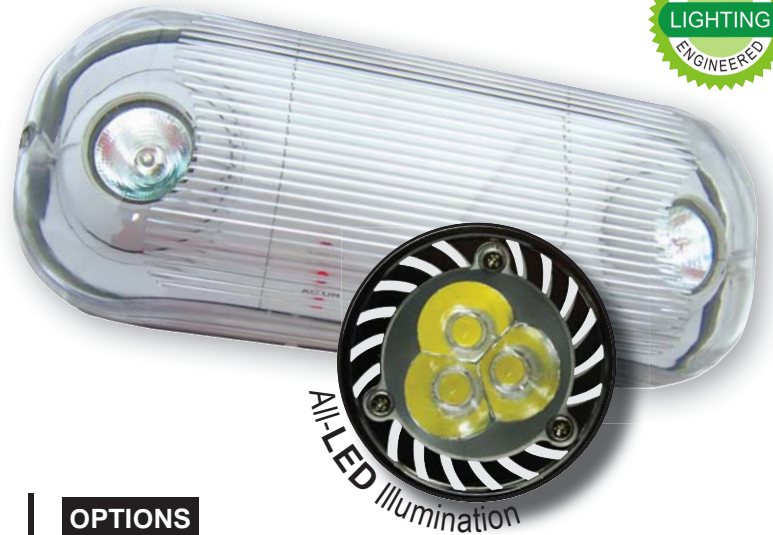
VRMR-16-WP



WET LOCATION SEMI-RECESSED MR-16 EMERGENCY UNIT

STANDARD

OPTIONAL



ILLUMINATION

- Two fully adjustable, ultra bright, round, 7.2W MR-16 halogen lamp heads standard.
- Optional 3.3W white LED lamp heads available.

ELECTRICAL

- Dual 120/277 voltage.
- Charge rate/power "ON" LED indicator light and push-to-test switch for mandated code compliance testing.
- LVD (low voltage disconnect) prevents battery from deep discharge.
- 6V maintenance-free, rechargeable sealed lead acid battery.
- Internal solid-state transfer switch automatically connects the internal battery to lamp heads for minimum 90-minute emergency illumination.
- Fully automatic solid-state, two rate charger initiates battery charging to recharge a discharged battery in 24 hours.

MOUNTING

- Wall mount via knockouts on the back of the housing.

HOUSING

- Injection-molded, engineering grade, 5VA flame retardant, high-impact resistant, thermoplastic in gray or black finish.
- Fully gasketed clear polycarbonate cover offers protection against wet, non-hazardous dust, corrosive atmospheres and to water spray or splashing water locations.

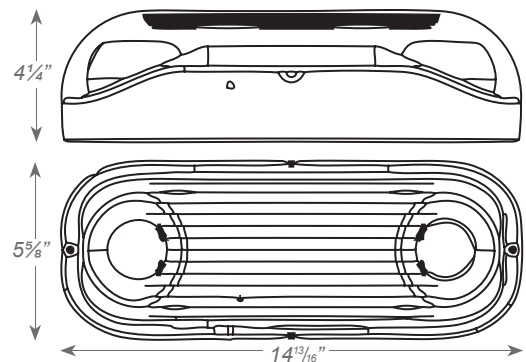
OPTIONS

- HTR: Optional internal heater for cold temperature (-9°C – 40°C) applications.
- CW: Optional internal heater and battery blanket for extreme cold temperature applications, (-25°C – 50°C MR-16 halogen) (-25°C – 40°C LED).
- USA: Substantial transformation assembly in the U.S. complies with "Assembled in the USA" under the Buy American Act.
- LED: 3.3W high performance MR-16 base LED lamps.

WARRANTY / LISTING

- Five year warranty on all electronics and housing. Battery pro rated for two years.
- Meets UL924, NFPA 101 Life Safety Code, NEC, OSHA, Local and State Codes.
- UL Listed for wet locations (20°C – 40°C).

DIMENSIONS



ORDERING INFORMATION

Special voltage options available. Check with your V.E. Lighting Representative.

MODEL	HOUSING COLOR		Sample Part Number: VRMR-16-WP			
			OPTIONS			
VRMR-16	Blank	Gray	WP	Wet Location	HTR	Internal Heater
		Black			CW	Internal heater with battery blanket
	B	Black	USA	Assembled in USA		
			LED	3.3W High Lumen White LED Lamps		



VRMR-16-65/125

REMOTE CAPABLE MR-16 EMERGENCY UNIT

STANDARD		OPTIONAL

ILLUMINATION

- Two fully adjustable ultra bright, round, 12W, MR-16 halogen lamp heads standard.
- Optional 3.3W white LED lamp heads.

ELECTRICAL

- Offers 26W of remote capacity (6V/12V DC output) when using standard 12W halogen lamps and 43W of remote capacity (6V/12V DC output) when using optional 3.3W LED lamps.
- Dual 120/277 voltage.
- Charge rate/power "ON" LED indicator light and push-to-test switch for mandated code compliance testing.
- LVD (low voltage disconnect) prevents battery from deep discharge.
- 6V maintenance-free, rechargeable sealed lead acid battery.
- Internal solid-state transfer switch automatically connects the internal battery to lamp heads for minimum 90-minute emergency illumination.
- Fully automatic solid-state, two rate charger initiates battery charging to recharge a discharged battery in 24 hours.

MOUNTING

- Surface mount via easy connect back plate, which fits most standard junction boxes and snaps into place making internal electrical connections.
- Conduit mount knockout on top of housing and backplate.
- Suitable for wall mount.

HOUSING

- Injection-molded, engineering grade, 5VA flame retardant, high-impact resistant, thermoplastic in white or black finish.

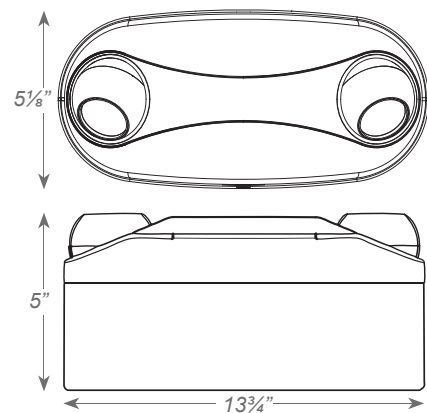
OPTIONS

- LED: 3.3W high performance MR-16 base LED lamps.

WARRANTY / LISTING

- Five year warranty on all electronics and housing. Battery pro rated for two years.
- Meets UL924, NFPA 101 Life Safety Code, NEC, OSHA, Local and State Codes.
- UL Listed for damp locations (20°C – 40°C).

DIMENSIONS



ORDERING INFORMATION

Sample Part Number: **VEMR-16-65**

Special voltage options available.
Check with your V.E. Lighting Representative.

MODEL	HOUSING COLOR		OPTIONS	
VRMR-16-65 (6 Volt)	Blank	White	LED	3.3W High Lumen White LED Lamp
VRMR-16-125 (12 Volt)	B	Black		

VR-7



RECESSED INCANDESCENT EMERGENCY UNIT



STANDARD | OPTIONAL



ILLUMINATION

- Two fully adjustable 5.4W par type lamp heads.
- High performance chrome-plated metal reflectors and plastic lens for optimal light distribution.

ELECTRICAL

- Dual 120/277 voltage.
- Charge rate/power "ON" LED indicator light and push-to-test switch for mandated code compliance testing.
- LVD (low voltage disconnect) prevents battery from deep discharge.
- 6V maintenance-free, rechargeable sealed lead acid battery.
- Internal solid-state transfer switch automatically connects the internal battery to lamp heads for minimum 90-minute emergency illumination.
- Fully automatic solid-state, two rate charger initiates battery charging to recharge a discharged battery in 24 hours.

MOUNTING

- Bar hangers on the back box for recessed mount.
- Compatible with drop ceiling mount installations.

HOUSING

- Durable 20-gauge steel trim plate in white or black finish.
- Trim securely attached to housing with spring clips.

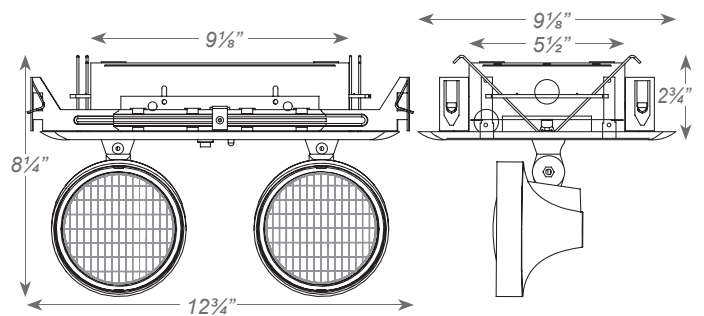
OPTIONS

- SDT: Self-diagnostic feature performs monthly, biannual, and annual tests to ensure reliable operation and meet electrical and life safety codes.
- USA: Substantial transformation assembly in the U.S. complies with "Assembled in the USA" under the Buy American Act.

WARRANTY / LISTING

- Five year warranty on all electronics and housing. Battery pro rated for two years.
- Meets UL924, NFPA 101 Life Safety Code, NEC, OSHA, Local and State Codes.
- UL Listed for dry locations (25°C).

DIMENSIONS



ORDERING INFORMATION

Sample Part Number: VR-7

MODEL	HOUSING COLOR		OPTIONS	
VR-7	Blank	White	SDT	Self-Diagnostics
	B	Black	USA	Assembled in A

Special voltage options available. Check with your V.E. Lighting Representative.



VLEDR-7

RECESSED LED EMERGENCY UNIT



STANDARD



ILLUMINATION

- Two fully adjustable 1.0W white LED lamp heads.
- High performance chrome-plated metal reflectors and plastic lens for optimal light distribution.

ELECTRICAL

- Dual 120/277 voltage.
- Charge rate/power "ON" LED indicator light and push-to-test switch for mandated code compliance testing.
- LVD (low voltage disconnect) prevents battery from deep discharge.
- 6V maintenance-free, rechargeable sealed lead acid battery.
- Internal solid-state transfer switch automatically connects the internal battery to lamp heads for minimum 90-minute emergency illumination.
- Fully automatic solid-state, two rate charger initiates battery charging to recharge a discharged battery in 24 hours.
- Remote capacity of 10W standard.

MOUNTING

- Bar hangers on the back box for recessed mount.
- Compatible with drop ceiling mount installations. Bar hangers included.

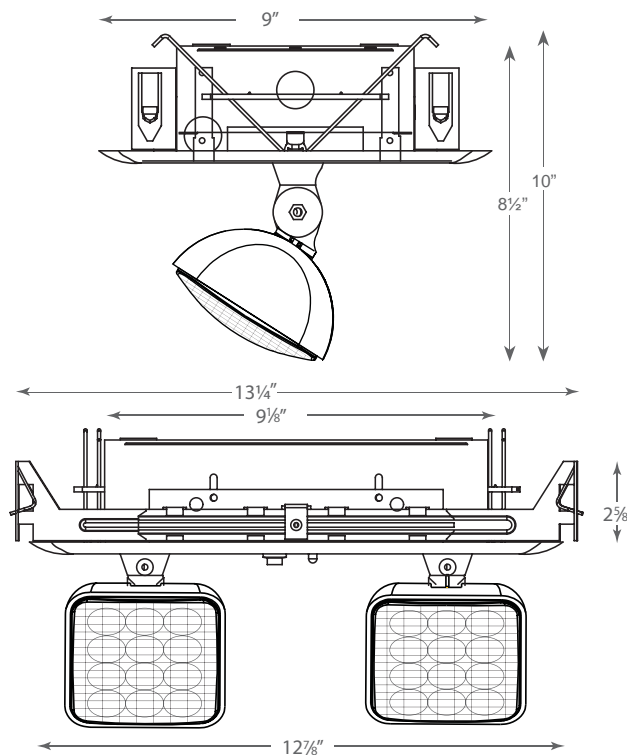
HOUSING

- Durable 20-gauge steel trim plate in white or black finish.
- Trim securely attached to housing with spring clips.

WARRANTY / LISTING

- Five year warranty on all electronics and housing. Battery pro rated for two years.
- Meets UL924, NFPA 101 Life Safety Code, NEC, OSHA, Local and State Codes.
- UL Listed for dry locations. (25°C)

DIMENSIONS



ORDERING INFORMATION

Sample Part Number: VLEDR-7

Special Voltage options available. Check with your V.E. Lighting representative.

MODEL	HOUSING COLOR	
	VLEDR-7	Blank



VPAR-1

PAR-TYPE LAMP HEAD EMERGENCY UNIT



STANDARD

OPTIONAL



ILLUMINATION

- Two fully adjustable 5.4W glare free PAR-type lamp heads.
- High performance chrome-plated metallized reflector and plastic lens for optimal light distribution.

ELECTRICAL

- Dual 120/277 voltage.
- Charge rate/power "ON" LED indicator light and push-to-test switch for mandated code compliance testing.
- LVD (low voltage disconnect) prevents battery from deep discharge.
- 6V maintenance-free, rechargeable sealed lead acid battery.
- Internal solid-state transfer switch automatically connects the internal battery to lamp heads for minimum 90-minute emergency illumination.
- Fully automatic solid-state, two rate charger initiates battery charging to recharge a discharged battery in 24 hours.

MOUNTING

- Surface mount via easy connect back plate, which fits most standard junction boxes and snaps into place making internal electrical connections.
- Top and side knockout for conduit applications.
- Suitable for wall mount.

HOUSING

- Injection-molded, engineering grade, 5VA flame retardant, high-impact resistant, thermoplastic in white or black finish.

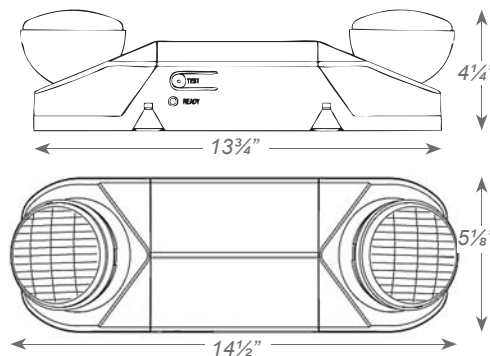
OPTIONS

- USA: Substantial transformation assembly in the U.S. complies with "Assembled in the USA" under the Buy American Act.

WARRANTY / LISTING

- Five year warranty on all electronics and housing. Battery pro rated for two years.
- Meets UL924, NFPA 101 Life Safety Code, NEC, OSHA, Local and State Codes.
- UL Listed for damp locations (20°C – 40°C).

DIMENSIONS



ORDERING INFORMATION

Sample Part Number: **VPAR-1**

MODEL	HOUSING COLOR		OPTIONS	
VPAR-1	Blank	White	USA	Assembled in USA
	B	Black		

Special voltage options available. Check with your V.E. Lighting Representative.



VLEDTFX-2



WET LOCATION REMOTE CAPABLE LED EMERGENCY UNIT

STANDARD



- Sealed and gasketed weather proof lamp heads with high performance chrome-plated metallized reflector and tempered glass lenses for optimal light distribution.
- Long lasting efficient ultra bright white LED lamp heads.
- 1.875W (15 LEDs x 0.125) per head.

ELECTRICAL

- Dual 120/277 voltage.
- Charge rate/power "ON" LED indicator light and push-to-test switch for mandated code compliance testing.
- 9.6V long life, maintenance-free, rechargeable NiCd battery.
- Internal solid-state transfer switch automatically connects the internal battery to LED lamp heads for minimum 90-minute emergency illumination.
- Fully automatic solid-state, two rate charger initiates battery charging to recharge a discharged battery in 24 hours.
- Remote capacity of 3.7W standard in operating temperatures of 0°C – 50°C.

MOUNTING

- External mounting brackets for simplified wall mounting.

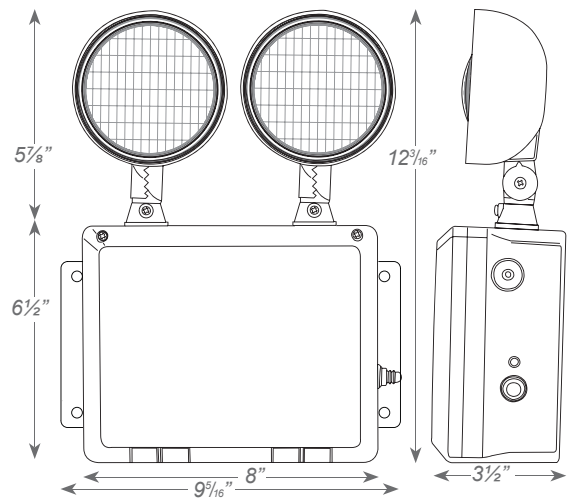
HOUSING

- Corrosion-resistant 5VA flame retardant UV-stabilized polycarbonate in gray or black finish.
- Sealed and gasketed housing with hinged cover.
- Sealed test switch.

WARRANTY / LISTING

- Five year warranty on all electronics and housing. Battery pro rated for five years.
- Meets UL924, NFPA 101 Life Safety Code, NEC, OSHA, Local and State Codes.
- UL Listed for wet locations (-20°C – 50°C).

DIMENSIONS



ORDERING INFORMATION

Sample Part Number: **VLEDTFX-2**

MODEL	HOUSING COLOR	
	VLEDTFX-2	Blank
	B	Black

VTFX-2



WET LOCATION INCANDESCENT EMERGENCY UNIT

STANDARD

OPTIONAL



ILLUMINATION

- Sealed and gasketed weather proof lamp heads with tempered glass lenses.
- 7.2W incandescent wedge base lamps.

ELECTRICAL

- Dual 120/277 voltage.
- Charge rate/power "ON" LED indicator light and push-to-test switch for mandated code compliance testing.
- LVD (low voltage disconnect) prevents battery from deep discharge.
- 6V maintenance-free, rechargeable sealed lead acid battery.
- Internal solid-state transfer switch automatically connects the internal battery to lamp heads for minimum 90-minute emergency illumination.
- Fully automatic solid-state, two rate charger initiates battery charging to recharge a discharged battery in 24 hours.
- Remote capacity of 15W available as an option.

MOUNTING

- External mounting brackets for simplified wall mounting provided.

HOUSING

- Corrosion-resistant 5VA flame retardant, UV-stabilized polycarbonate in gray finish.
- Sealed and gasketed housing with hinged cover.
- Sealed test switch.
- Integral breather vent.

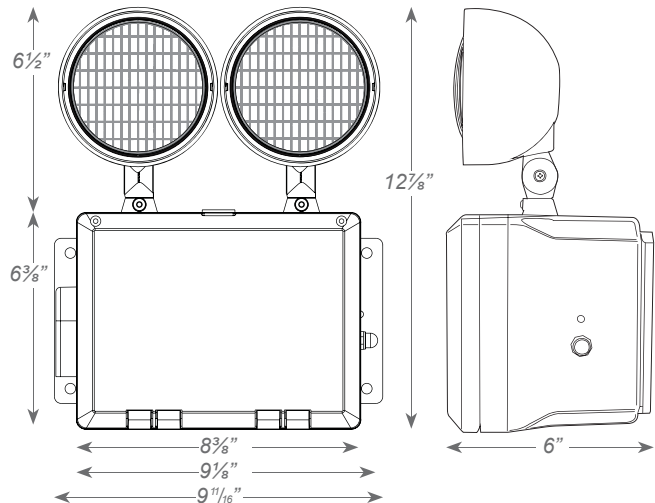
OPTIONS

- HTR: Optional internal heater for cold temperature applications.
- USA: Substantial transformation assembly in the U.S. complies with "Assembled in the USA" under the Buy American Act.

WARRANTY / LISTING

- Five year warranty on all electronics and housing. Batteries are pro rated warranted for two years.
- Meets UL924, NFPA 101 Life Safety Code, NEC, OSHA, Local and State Codes.
- UL Listed for wet locations (5°C – 40°C).

DIMENSIONS



ORDERING INFORMATION

Sample Part Number: VTFX-2

MODEL	OPTIONS	
VTFX-2	HTR	Internal Heater
	USA	Assembled in USA
	RC	Remote Capable



VDXR



REMOTE CAPABLE INCANDESCENT EMERGENCY UNIT

STANDARD | OPTIONAL



ILLUMINATION

- Adjustable, glare-free PAR-Type lamp heads with 7.2W (on 6V models) and 9/12W (on 12V models) incandescent lamps.

ELECTRICAL

- Dual 120/277 voltage.
- Charge rate/power "ON" LED indicator light and push-to-test switch for mandated code compliance testing.
- LVD (low voltage disconnect) prevents battery from deep discharge.
- 6V maintenance-free, rechargeable sealed lead acid battery.
- Internal solid-state transfer switch automatically connects the internal battery to lamp heads for minimum 90-minute emergency illumination.
- Fully automatic solid-state, two rate charger initiates battery charging to recharge a discharged battery in 24 hours.

MOUNTING

- Knockouts on the back for wall mount.
- Side and top knockouts for conduit feed applications.

HOUSING

- Injection-molded, engineering grade, 5VA flame retardant, high-impact thermoplastic construction.

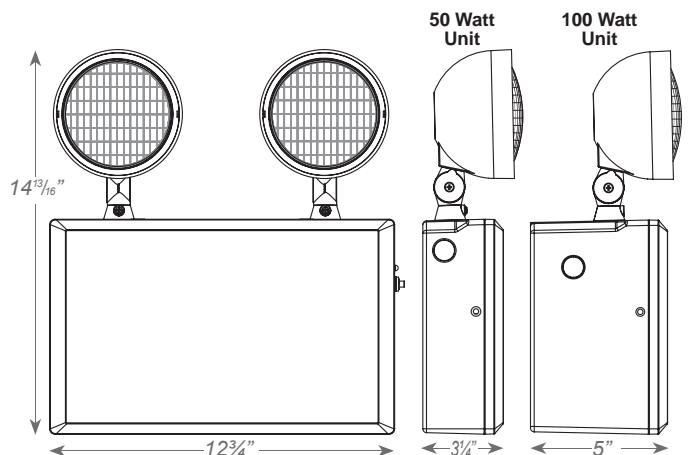
OPTIONS

- HTR: Optional internal heater for cold temperature applications.
- USA: Substantial transformation assembly in the U.S. complies with "Assembled in the USA" under the Buy American Act.

WARRANTY / LISTING

- Five year warranty on all electronics and housing. Battery pro rated for two years.
- Meets UL924, NFPA 101 Life Safety Code, NEC, OSHA, Local and State Codes.
- UL Listed for dry locations (25°C).

DIMENSIONS



ORDERING INFORMATION

Sample Part Number: **VDXR-12-10**

Special voltage options available. Check with your V.E. Lighting Representative.

MODEL	VOLTAGE		CAPACITY		OPTIONS	
VDXR	6	6 Volts	5	50 Watt	HTR	Internal Heater ¹
	12	12 Volts	10	100 Watt	20SB	12V20W Sealed Beam Halogen ²
					USA	Assembled in USA

¹ Available with 50W units only.

² Available with 12V units only.

VCADXR

CHICAGO APPROVED STEEL EMERGENCY UNIT

STANDARD



ILLUMINATION

- Two, 6V/12V adjustable bi-pin halogen lamp heads.

ELECTRICAL

- Dual 120V/277 voltage.
- Charge rate/power "ON" LED indicator light and push-to-test switch for mandated code compliance testing.
- LVD (low voltage disconnect) prevents battery from deep discharge.
- 6V Sealed lead acid, maintenance-free, rechargeable battery.
- Internal solid-state transfer switch automatically connects the internal battery to lamp heads for minimum 120-minute emergency illumination.
- Fully automatic solid-state, two rate charger initiates battery charging to recharge a discharged battery in 24 hours.
- Remote capacity of 26W and 76W available on 50W and 100W models respectively.

MOUNTING

- Knockouts on the back for wall mount.
- Side and top knockouts for conduit feed applications.

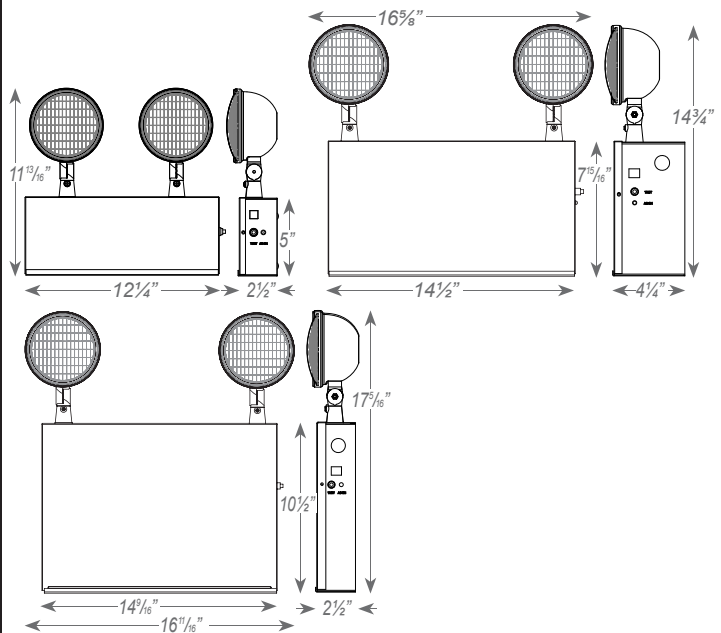
HOUSING

- Durable 20-gauge steel construction.
- Neutral white or black finish.

WARRANTY / LISTING

- Five year warranty on all electronics and housing. Battery pro rated for two years.
- UL Listed for damp locations (20°C – 50°C standard).
- Meets UL924, NFPA 101 Life Safety Code, NEC, OSHA, Local and State Codes.
- Meets city of Chicago requirements.

DIMENSIONS



ORDERING INFORMATION

Sample Part Number: **CADXR-27**

MODEL	VOLTAGE		WATTS (for 120 mins.)		HOUSING COLOR	
VCADXR	Blank	6V ¹	27	27	Blank	White
		6V ²	5	50	B	Black
		12V ²	10	100		

Notes:

1. Available in 27 watt only.

2. Not available in 27 watt.

VCAR



CHICAGO APPROVED STEEL RECESSED EMERGENCY UNIT

STANDARD



ILLUMINATION

- Two, 6V/12V 12W adjustable bi-pin halogen lamp heads.

ELECTRICAL

- Dual 120V/277 voltage.
- Charge rate/power "ON" LED indicator light and push-to-test switch for mandated code compliance testing.
- LVD (low voltage disconnect) prevents battery from deep discharge.
- 6V sealed lead acid, maintenance-free, rechargeable battery.
- Internal solid-state transfer switch automatically connects the internal battery to lamp heads for minimum 120-minute emergency illumination.
- Fully automatic solid-state, two rate charger initiates battery charging to recharge a discharged battery in 24 hours.
- Remote capacity of 26W standard on 50W models.

MOUNTING

- Conveniently designed for use with T-bar grid ceilings.
- Holes provided on enclosure for wire-suspension mount.

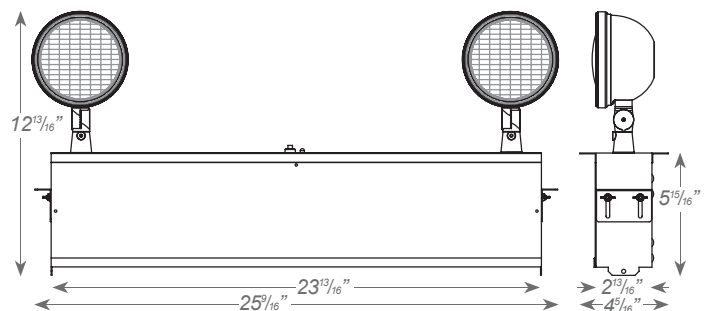
HOUSING

- Durable 20-gauge steel construction.
- White or black finish.

WARRANTY / LISTING

- Five year warranty on all electronics and housing. Battery pro rated for two years.
- UL Listed for damp locations (20°C – 50°C).
- Meets UL924, NFPA 101 Life Safety Code, NEC, OSHA, Local and State Codes.
- Meets city of Chicago requirements.

DIMENSIONS



ORDERING INFORMATION

Sample Part Number: **VCAR-6-27**

MODEL	VOLTAGE		WATTS (for 120 mins.)		HOUSING COLOR	
	6	12	27	50	Blank	B
VCAR	6V	12V	27 ¹	50	White	Black

Notes:

1. Available in 6V only

VNYDXR



NEW YORK CITY APPROVE EMERGENCY UNIT

STANDARD



ILLUMINATION

- Adjustable, glare-free PAR-Type lamp heads with 9W (on 6V models) and 12W (on 12V models) incandescent lamps.
- Field installable third lamp head included with the 27W and 50W models.

ELECTRICAL

- Dual 120/277 voltage.
- Remote capacity of 14W standard on the 12V model.
- Charge rate/power "ON" LED indicator light and push-to-test switch for mandated code compliance testing.
- LVD (low voltage disconnect) prevents battery from deep discharge.
- 6V maintenance-free, rechargeable sealed lead acid battery.
- Internal solid-state transfer switch automatically connects the internal battery to lamp heads for minimum 90-minute emergency illumination.
- Fully automatic solid-state, two rate charger initiates battery charging to recharge a discharged battery in 24 hours.

MOUNTING

- Knockouts on the back for wall mount.
- Side and top knockouts for conduit feed applications.

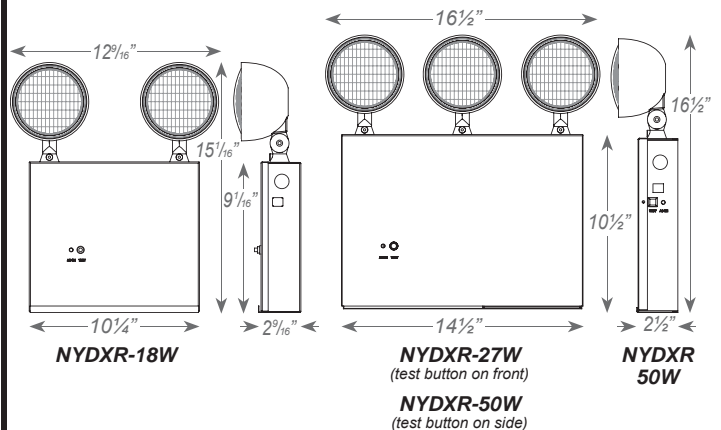
HOUSING

- Durable powder-coated 20-gauge steel construction in white or black finish.
- Injection-molded engineering grade high-impact thermoplastic heads.

WARRANTY / LISTING

- Five year warranty on all electronics and housing. Battery pro rated for two years.
- Meets UL924, NFPA 101 Life Safety Code, NEC, OSHA, Local and State Codes.
- UL Listed for dry locations (25°C).

DIMENSIONS



ORDERING INFORMATION

Sample Part Number: **VNYDXR-6-2-18-9**

MODEL	VOLTAGE	No. of HEADS	UNIT WATTS	LAMP WATTS	COLOR
NYDXR	6 6 Volt	2 2 Heads	18 18 Watts ¹	9 9 Watts ¹	Blank White
	12 12 Volt	3 3 Heads	27 27 Watts ¹	12 12 Watts ²	B Black
			50 50 Watts ²		

¹ Available in 6V units only.

² Available in 12V units only.



VLEDCADXR

CHICAGO APPROVED STEEL LED EMERGENCY UNIT



STANDARD



ILLUMINATION

- Two, 6V, 5.3W adjustable white LED lamp heads.

ELECTRICAL

- Dual 120/277 voltage.
- Charge rate/power "ON" LED indicator light and push-to-test switch for mandated code compliance testing.
- LVD (low voltage disconnect) prevents battery from deep discharge.
- 6V sealed lead acid, maintenance-free, rechargeable battery.
- Internal solid-state transfer switch automatically connects the internal battery to the LED lamp heads for minimum 120-minute emergency illumination.
- Fully automatic solid-state, two rate charger initiates battery charging to recharge a discharged battery in 24 hours.
- Remote capacity of 10W standard on 20W models.

MOUNTING

- Knockouts on the back for wall mount.
- Side and top knockouts for conduit feed applications.

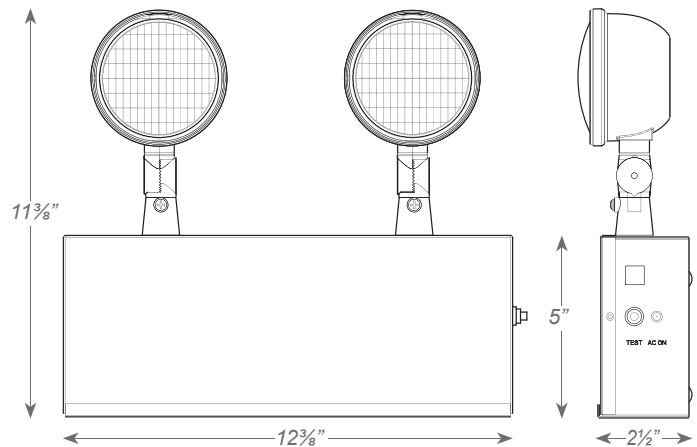
HOUSING

- Durable 20-gauge steel construction.
- White or black finish.

WARRANTY / LISTING

- Five year warranty on all electronics and housing. Battery pro rated for two years.
- UL Listed for damp locations (20°C – 50°C).
- Meets UL924, NFPA 101 Life Safety Code, NEC, OSHA, Local and State Codes.
- Meets City of Chicago requirements.

DIMENSIONS



ORDERING INFORMATION

Sample Part Number: VLEDCADXR-10

MODEL	HOUSING COLOR		WATTAGE	
	VLEDCADXR	Blank	White	10
	B	Black	20	20 Watts (10 watt remote)

VLEDSDXR627



STEEL HOUSING LED EMERGENCY UNIT



STANDARD



ILLUMINATION

- Two, 6V, 1.0W adjustable square LED lamp heads in engineering grade, high-impact resistant, thermoplastic.

ELECTRICAL

- Dual 120V/277V.
- Charge rate/power "ON" LED indicator light and push-to-test switch for mandated code compliance testing.
- LVD (low voltage disconnect) prevents battery from deep discharge.
- 6V sealed lead acid, maintenance-free, rechargeable battery.
- Internal solid-state transfer switch automatically connects the internal battery to lamp heads for minimum 90-minute emergency illumination.
- Fully automatic solid-state, two rate charger initiates battery charging to recharge a discharged battery in 24 hours.
- Remote capacity of 25W standard.
- Runs up to 8 hours without remote heads.

MOUNTING

- Knockouts on the back for wall mount.
- Side and top knockouts for conduit feed applications.

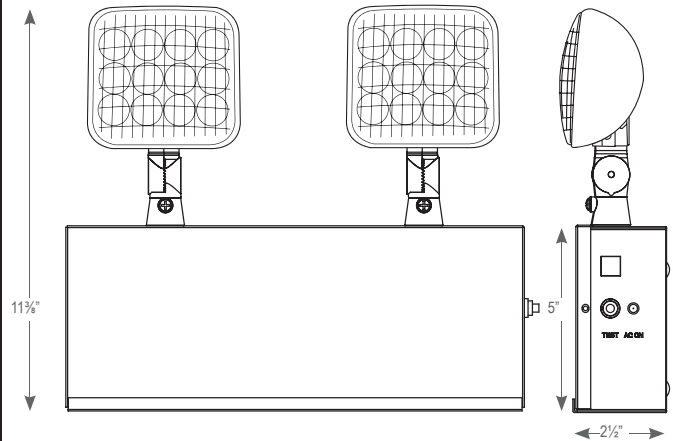
HOUSING

- Durable 20-gauge steel construction.
- White finish.

WARRANTY / LISTING

- Five year warranty on all electronics and housing. Battery pro rated for two years.
- UL Listed for damp locations (20°C – 50°C) standard.
- Meets UL924, NFPA 101 Life Safety Code, NEC, OSHA, Local and State Codes.

DIMENSIONS



ORDERING INFORMATION

Sample Part Number: **VLEDSDXR627**

MODEL	VOLTAGE	WATTS (for 90 mins.)	HOUSING COLOR
VLEDSDXR627	6V	27	Blank White



VDBEL-ACEM

DECORATIVE OUTDOOR LED AC/EMERGENCY UNIT

STANDARD



OPTIONAL



ILLUMINATION

- Long life, efficient, ultra bright white LED.
- 6W (2 LEDs x 3.0 watt) per unit.
- Mirror-bright reflector and prismatic polycarbonate refractor.
- Can be used as a Normally-ON or Normally-OFF light as well as on a switched circuit.

ELECTRICAL

- Universal 120-277VAC voltage.
- Charge rate/power "ON" LED indicator light and push-to-test switch for mandated code compliance testing.
- 4.8V long life, maintenance-free, rechargeable NiCd battery.
- Internal solid-state transfer switch automatically connects the internal battery to LED board for minimum 90-minute emergency illumination.
- Fully automatic solid-state, two rate charger initiates battery charging to recharge a discharged battery in 24 hours.
- Self-diagnostic test feature continually diagnoses units performance and tests system to ensure reliable operation and to meet electrical and life safety codes.
- Field-selectable wiring allows for "AC" operation of the unit to be controlled using a wall-switch or a photocell or any other switching mechanism.

MOUNTING

- Surface mount via easy connect back plate that fits most standard size junction boxes.
- Universal K/O pattern on back plate for wall mount.
- Threaded opening at the top of the enclosure for conduit mount.

HOUSING

- Decorative, Low Profile, architectural design.
- Die-cast aluminum housing.
- Durable powder-coated finishes in white, black, nickel and dark bronze.
- Sealed and gasketed.

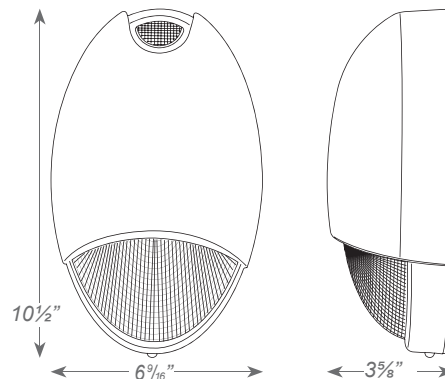
OPTIONS

- CW: Optional internal heater for extreme cold temperature applications (-20°C – 50°C).
- PC: Unit features optional photocell technology that automatically responds to low exterior lighting levels in "AC" mode.

WARRANTY / LISTING

- Five year warranty on all electronics and housing. Battery pro rated for five years.
- Meets UL924, NFPA 101 Life Safety Code, NEC, OSHA, Local and State Codes.
- UL Listed for wet locations (0°C – 50°C).

DIMENSIONS



ORDERING INFORMATION

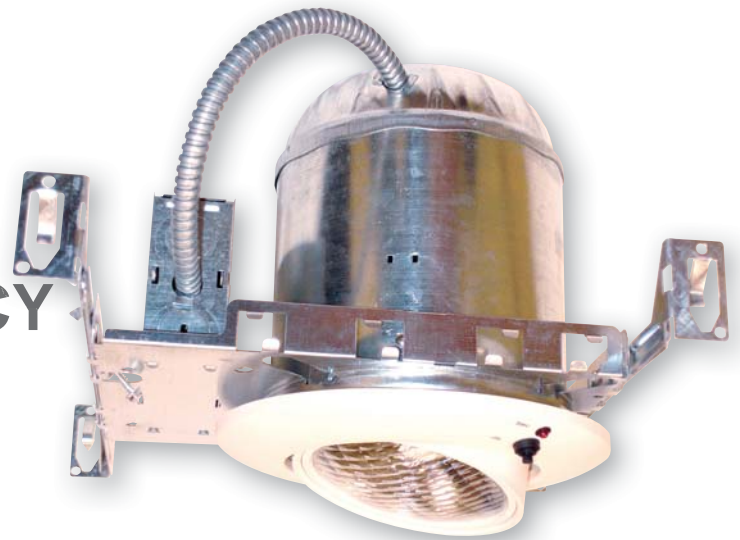
Sample Part Number: **VDBEL-ACEM-BR-SDT**

MODEL	HOUSING COLOR			OPTIONS		
VDBEL-ACEM	W	White	SDT	Self-Diagnostics (standard)	CW	Cold Weather
	B	Black			PC	Photocell Sensor
	BR	Dark Bronze				
	N	Nickel				

VEMRL-1

ADJUSTABLE RECESSED EMERGENCY DOWN-LIGHT UNIT

STANDARD



ILLUMINATION

- Adjustable ultra bright 8W bi-pin halogen lamp head.
- Sealed beam PAR36-type gimbal trim with smooth chrome-plated metallized reflector and plastic lens offers optimal light distribution.

ELECTRICAL

- Dual 120/277 voltage.
- Charge rate/power "ON" LED indicator light and push-to-test switch for mandated code compliance testing.
- LVD (low voltage disconnect) prevents battery from deep discharge.
- 6V maintenance-free, rechargeable sealed lead acid battery.
- Internal solid-state transfer switch automatically connects the internal battery to lamp head for minimum 90-minute emergency illumination.
- Fully automatic solid-state, two rate charger initiates battery charging to recharge a discharged battery in 24 hours.

MOUNTING

- Compatible with drop ceiling mount installations. Bar hangers included.

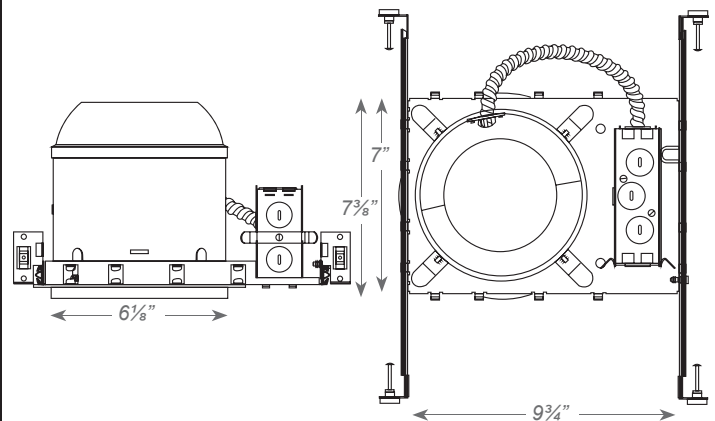
HOUSING

- Steel mounting frame and housing.
- 6" recessed housing with mounting bar hangers.
- Impact-resistant thermoplastic adjustable gimbal trim.
- Junction box with 3/4" knockouts for AC input.
- Trim securely attached to housing with spring clips.

WARRANTY / LISTING

- Five year warranty on all electronics and housing. Battery pro rated for two years.
- Meets UL924, NFPA 101 Life Safety Code, NEC, OSHA, Local and State Codes.
- UL Listed for damp locations.

DIMENSIONS



ORDERING INFORMATION

Sample Part Number: **VEMRL-1-WHT-GIMBAL**

Special voltage options available. Check with your V.E. Lighting Representative.

MODEL	HOUSING COLOR		
VEMRL-1	WHT	White	GIMBAL
	BLK	Black	

ACCESSORIES



EXIT & EMERGENCY CATALOG

VRFXTE / VGFXTE

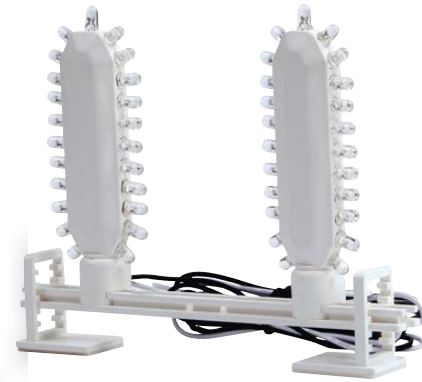


LED RETROFIT KITS

STANDARD



SCREW-IN
RETROFIT KIT



HARD WIRE RETROFIT KIT

ILLUMINATION

- Kits easily convert incandescent exit signs to energy efficient LED EXIT signs.
- Ultra bright, long life Red or Green LED.

ELECTRICAL

Hard wire:

- Dual 120/277 voltage.
- Energy usage of 2.8W per kit.

Screw-in:

- 120 voltage only.
- Energy usage of 2.8W per kit.

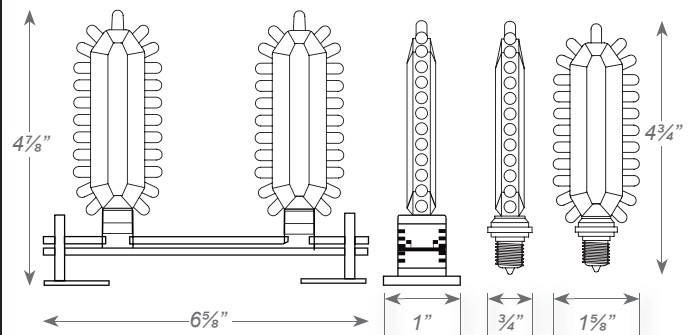
MOUNTING

- Hard wire kits come complete with mounting bracket and double-sided tape for easy installation.
- Screw-in kits are supplied with socket adapters for installation in signs with bayonet, intermediate or candelabra bases.

WARRANTY / LISTING

- Five year warranty.
- Meets UL924, NFPA 101 Life Safety Code, NEC, OSHA, Local and State Code.

DIMENSIONS



	INCANDESCENT	GREEN LED KIT	RED LED KIT
EXIT Energy Use	30W (15W lamp x 2)	1.4W (0.7W LED's x 2)	2.8W (1.4W LED's x 2)
"ON" Hours / Year	8760	8760	8760
Price / Kilowatt Hour	\$ 0.09	\$ 0.09	\$ 0.09
Energy Usage / Year	262,800 Watts	12,264 Watts	24,528 Watts
Annual Cost	\$ 23.65	\$ 1.10	\$ 2.21
Watt Savings / Year		250,536	238,272
Annual Savings		\$ 22.55	\$ 21.44

Example based on 9¢/KWhr

ORDERING INFORMATION

Sample Part Number: VRFXTE-3

MODEL	KIT
VRFXTE-1	Red Hardware Kit
VGFXTE-1	Green Hardware Kit
VRFXTE-3	Red Screw-in Kit
VGFXTE-3	Green Screw-in Kit



VRTS

REMOTE TEST SWITCH



APPLICATION

- *RTS provides remote testing capability for SPS mini-inverter, unit equipment and exit signs. Not compatible with emergency ballasts.*

ELECTRICAL

- *Field selectable 120 voltage or 277 voltage.*
- *Power "ON" LED indicator light and push-to-test switch for mandated code compliance testing.*

MOUNTING

- *Remote Test Switch can be mounted to any standard switch box.*
- *Suitable for wall or ceiling mount.*

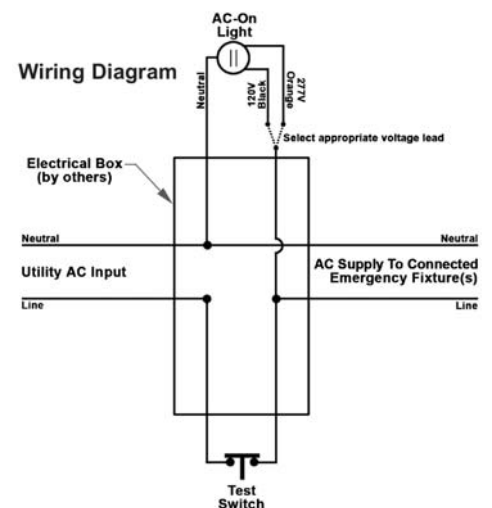
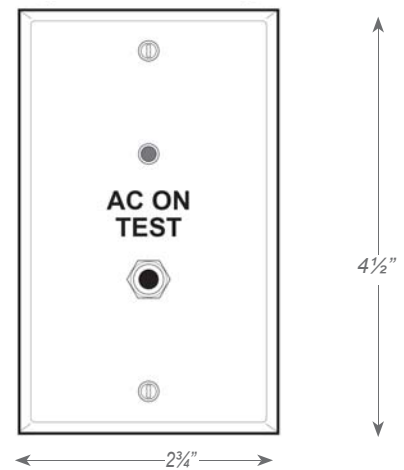
CONSTRUCTION

- *Injection-molded, engineering grade, V-0 flame retardant mounting plate in white finish.*

WARRANTY / LISTING

- *Five year warranty.*
- *Meets UL924, NFPA 101 Life Safety Code, NEC, OSHA, Local and State Codes.*

DIMENSIONS



ORDERING INFORMATION

Sample Part Number: **VRTS**

MODEL

vRTS

VANDAL SHIELDS

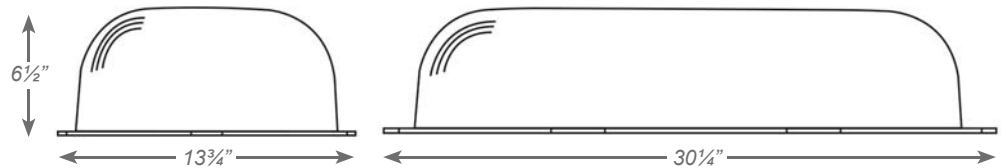


HOUSING MOUNTING

- High-impact resistant polycarbonate material.
- Mounting hardware provided for easy installation in the field.



VBG-3C



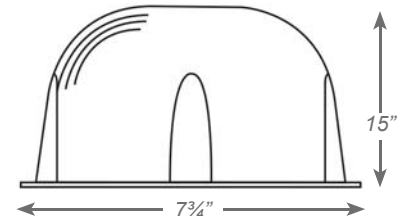
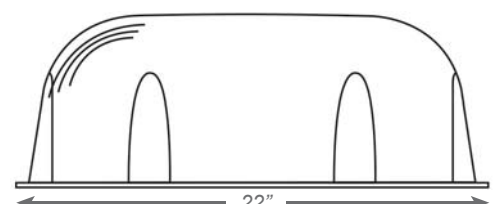
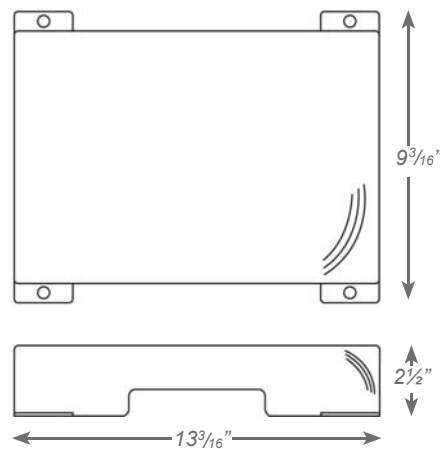
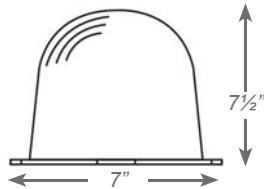
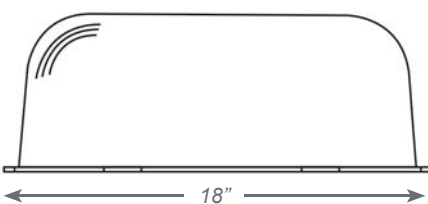
VBGR-1



VPCS-1



VBG-1



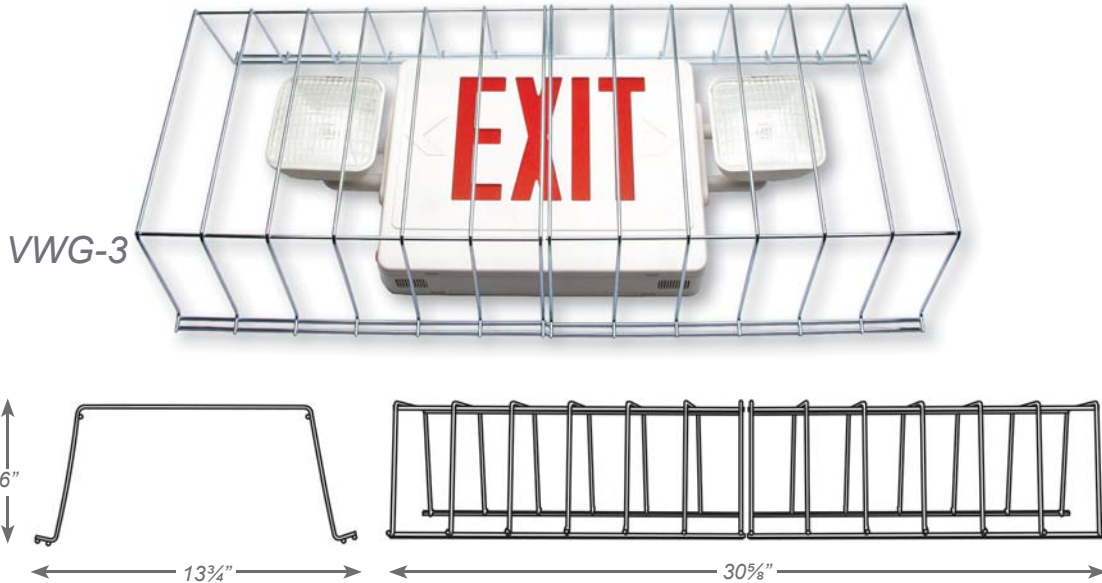
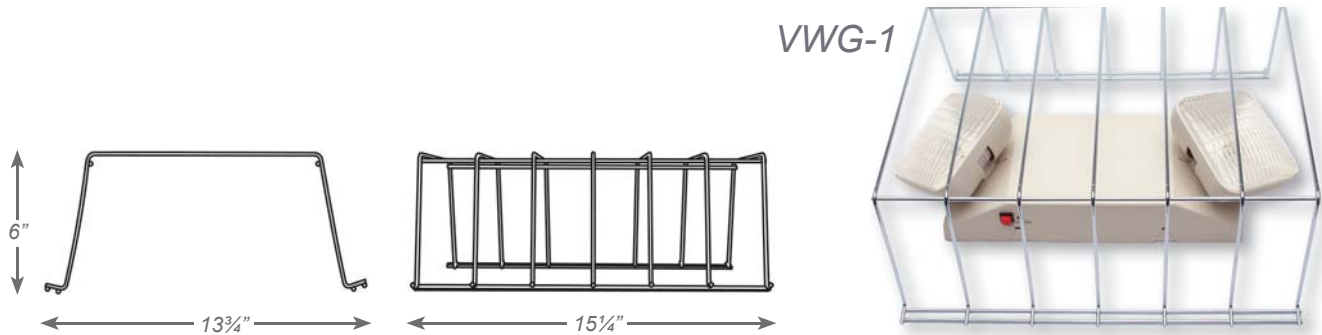
ORDERING INFORMATION

MODEL	USE WITH	DIMENSIONS
VPCS-1	CLPU, EZRXTE, EZTXTE, EZXTE, KXTE, KZXTE, SLXTU, SXTE,	2 1/2" x 9-3/16" x 13 3/16"
VBG-1	CA26S10, CKXTE, CLPU, DBEL, DXR, ELXTE, EZRXTE, EZTXTE, EZXTE, EZXTE-RC, KXTE, KZXTE, LEDCXTE, LEDTFX-2, NYELXTE, NYKXTE, NYXTE, PLELRXTE, SLXTU, SXTE, TFX-2, WLEZXTE, WLXTE	7 3/4" x 22" x 15"
VBGR-1	R-1, R-2, R-16, R-16-HO, R5HO, RMR-16, RMR-16-WP, LEDR-2, LEDR-5HO, LEDR1	7 1/2" x 18" x 7"
VBG-3C	CXTE	13 3/4" x 30 1/4" x 6 1/2"

WIRE GUARDS

WIRE GUARD

- Durable 9-gauge steel construction.
- Mounting hardware provided for easy field installation.



ORDERING INFORMATION

MODEL	USE WITH	DIMENSIONS
VWG-1	VCA26S10, VCKXTE, VCLPU, VDBEL, VEZRXTTE, VEZXTTE, VEZXTTE-RC, VPLELRXTTE, VKXTE, VLEDR-1, VLEDR-2, VLEDR-5HO, VLEDTFX-2, VNYXTTE, VPAR-1, VR-1, VR-2, VR-16, VR-16-HO, VRMR-16, VRMR16-WP, SLXTU, SXTE, WLEZXTTE, WLXTE	13 ³ / ₄ " x 15 ¹ / ₄ " x 6"
VWG-3	VCXTE, VDXR, VLEDCXTE, VNYELXTVVE, VNYKXTE	13 ³ / ₄ " x 30 ⁵ / ₈ " x 6"

VRHLED

INDOOR LED REMOTE HEAD



ILLUMINATION

- Long lasting, efficient, ultra bright white LED lamp heads.
- High performance chrome-plated metallized reflector and plastic lens with 8 or 12 LED's in each lamp head for optimal light distribution.
- Adjustable LED lamp heads increases center-to-center spacing.

ELECTRICAL

- Powered from low voltage power source with low voltage wiring (not provided).

MOUNTING

- Universal mounting base plate included with mounting hardware.
- Distance of maximum run is determined by system voltage, wire gauge and total maximum wattage on the run.
- Suitable for wall or ceiling mount.

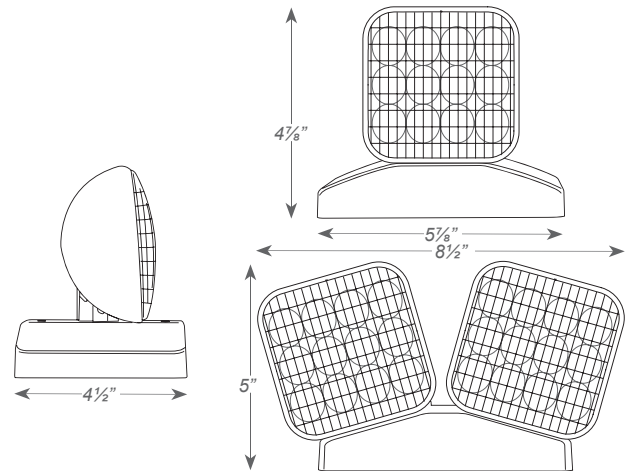
HOUSING

- Injection-molded, engineering grade, 5VA flame retardant, high-impact resistant, thermoplastic in white or black finish.

WARRANTY / LISTING

- Five year warranty.
- UL Listed with approved Best Lighting Products.
- Meets UL924, NFPA 101 Life Safety Code, NEC, OSHA, Local and State Codes.

DIMENSIONS



FIXTURE COMPATIBILITY CHART

Reference individual unit equipment specification sheets for remote load capacity availability.

MODEL TYPE	3.6V	9.6V	MV
VLEDCXTEU-RC		X	X
VCLPU-RC		X	X
VCKXTEU-RC	X		X
VLEDR-5HO	X		X
VLEDTFX-2		X	X
VE-1-RC	X		X
VCEU-RC	X		X

ORDERING INFORMATION

Sample Part Number: **VRHLED-1-9.6**

MODEL	No. of HEADS	OPTIONS		VOLTAGE		COLOR		LAMP TYPE ¹	
VRHLED	1	Single Head	Blank	3.6V	For use with 3.6V batteries	Blank	White	Blank	8 LEDs 1W
	2	Double Head	SDT	9.6V	For use with 9.6V batteries	B	Black	HL	12 LEDs 1.5W
				MV	For use with 3.6V, 6V, 9.6V & 12V batteries				

Notes:

1. Wattage rating stated per head.



VRHLED

OUTDOOR LED REMOTE HEAD

ILLUMINATION

- Long lasting, efficient, ultra bright white LED lamp heads.
- High performance chrome-plated metallized reflector and glass lens with 8 or 12 LED's in each lamp head for optimal light distribution.
- Adjustable LED lamp heads increases center-to-center spacing.

ELECTRICAL

- Powered from low voltage power source with low voltage wiring (not provided).

MOUNTING

- Universal mounting base mounts to single-gang switch box.
- Distance of maximum run is determined by system voltage, wire gauge and total maximum wattage on the run.
- Suitable for wall or ceiling mount.

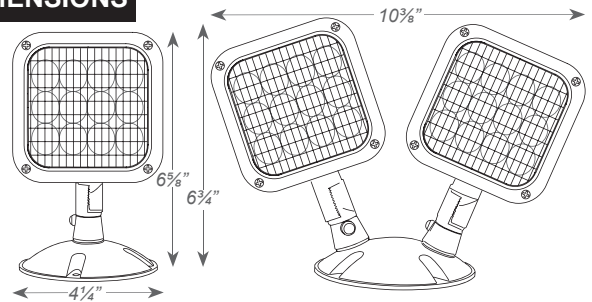
HOUSING

- Available in both engineering grade, high-impact resistant thermoplastic or premium grade die-cast aluminum housing.
- Sealed and gasketed in standard gray or optional black finish.

WARRANTY / LISTING

- Five year warranty.
- UL Listed with approved Best Lighting Products.
- Meets UL924, NFPA 101 Life Safety Code, NEC, OSHA, Local and State Codes.

DIMENSIONS



FIXTURE COMPATIBILITY CHART

Reference individual unit equipment specification sheets for remote load capacity availability.

MODEL TYPE	3.6V	9.6V	MV
LEDCXTEU-RC		X	X
CLPU-RC		X	X
CKXTEU-RC	X		X
LEDR-5HO	X		X
LEDTFX-2		X	X
E-1-RC	X		X
CEU-RC	X		X

ORDERING INFORMATION

Sample Part Number: **VRHLED-1-WP-9.6**

MODEL	No. of HEADS	OPTIONS		HOUSING		VOLTAGE		COLOR		LAMP TYPE ¹		
VRHLED	1	Single Head	Blank	For standard non-self-diagnostic fixtures	PWP	Thermoplastic	3.6V	For use with 3.6V batteries	Blank	Gray	Blank	8 LEDs 1W
	2	Double Head	SDT	For use with fixtures with a self-diagnostic option	WP	Die-cast	9.6V	For use with 9.6V batteries	B	Black	HL	12 LEDs 1.5W
							MV	For use with 3.6V, 6V, 9.6V & 12V batteries				

Notes:

1. Wattage rating stated per head.

VSRH

INDOOR INCANDESCENT STEEL REMOTE HEAD



ILLUMINATION

- Long lasting, efficient, wedge base incandescent or bi-pin halogen lamps.
- High performance chrome-plated metallized reflector and glass lens for optimal light distribution.
- Adjustable 6V or 12V lamp heads increase center-to-center spacing.

ELECTRICAL

- Powered from low voltage power source with low voltage wiring (not provided).

MOUNTING

- Universal mounting base mounts to single-gang switch box.
- Distance of maximum run is determined by system voltage, wire gauge and total maximum wattage on the run.
- Suitable for wall or ceiling mount.

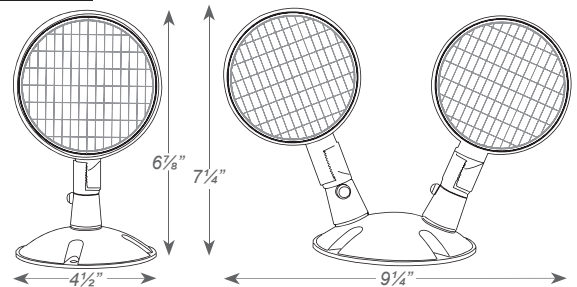
HOUSING

- Durable 20-gauge steel in white or black finish.

WARRANTY / LISTING

- Five year warranty.
- UL Listed with approved Best Lighting Products.
- Meets UL924, NFPA 101 Life Safety Code, NEC, OSHA, Local and State Codes.

DIMENSIONS



FIXTURE COMPATIBILITY CHART

Reference individual unit equipment specification sheets for remote load capacity availability.

MODEL TYPE	6V	12V	MODEL TYPE	6V	12V
VNYDXR-50		X	VTFX-2	X	
VRMR-16-65	X		VNYDXR-27	X	
VRMR-16-125		X	VEZXTE-RC	X	
VR-5HO	X		VCXTE-RC	X	
VR-16-HO	X		VDXR-125/1210		X
VDXR-65/610	X		VCALEDXTE	X	
VLEDCADXR	X				

ORDERING INFORMATION

Sample Part Number: **VSRH-1-12V-12W**

MODEL	No. of HEADS	COLOR	VOLTAGE	WATTAGE ¹	LAMP TYPE
VSRH	1 Single Head	Blank White	6V For use with 6V batteries	5.4W	Blank Wedge-base incandescent
	2 Double Head	B Black	12V For use with 12V batteries	7.2W 9.0W 12W	BPH ² Bi-Pin Halogen

Notes:

1. Wattage rating stated per head.

2. Available in 12W only.

VSRHLED

INDOOR STEEL LED REMOTE HEAD



ILLUMINATION

- Long lasting, efficient, ultra bright white LED lamp heads.
- High performance chrome-plated metallized reflector and glass lens for optimal light distribution.
- Adjustable 6V 5.3W lamp heads increases center-to-center spacing.

ELECTRICAL

- Powered from low voltage power source with low voltage wiring (not provided).

MOUNTING

- Universal mounting base mounts to single-gang switch box.
- Distance of maximum run is determined by system voltage, wire gauge and total maximum wattage on the run.
- Suitable for wall or ceiling mount.

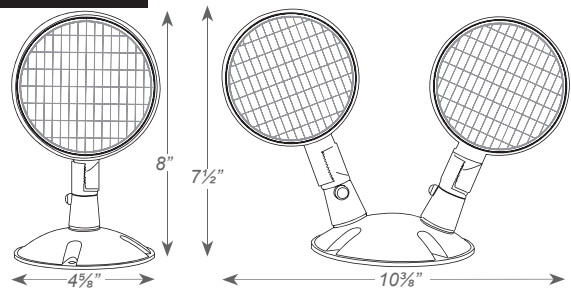
HOUSING

- Durable 20-gauge steel in white or black finish.

WARRANTY / LISTING

- Five year warranty.
- UL Listed with approved Best Lighting Products.
- Meets UL924, NFPA 101 Life Safety Code, NEC, OSHA, Local and State Codes.

DIMENSIONS



FIXTURE COMPATIBILITY

Reference individual unit equipment specification sheets for remote load capacity availability.

MODEL TYPE		
VCALEDCXTEU	VR-5HO	VTFX-2
VLEDCADXR	VR-16-HO	VNYDXR-27V
RMR-16-65	VDXR-65/610	VCXTEU-RC

ORDERING INFORMATION

Sample Part Number: **VSRHLED-1-6V**

MODEL	No. of HEADS	COLOR	VOLTAGE
VSRHLED	1 Single Head	Blank White	6V For use with 6V batteries
	2 Double Head	B Black	



VRH16LED

INDOOR HIGH PERFORMANCE MR-16 LED REMOTE HEAD



ILLUMINATION

- Long lasting, efficient ultra bright white LED lamp heads.
- Adjustable 3.3W lamp heads increase center-to-center spacing.

ELECTRICAL

- Powered from low voltage power source with low voltage wiring (not provided).

MOUNTING

- Universal mounting base plate included with mounting hardware.
- Distance of maximum run is determined by system voltage, wire gauge and total maximum wattage on the run.
- Suitable for wall or ceiling mount.

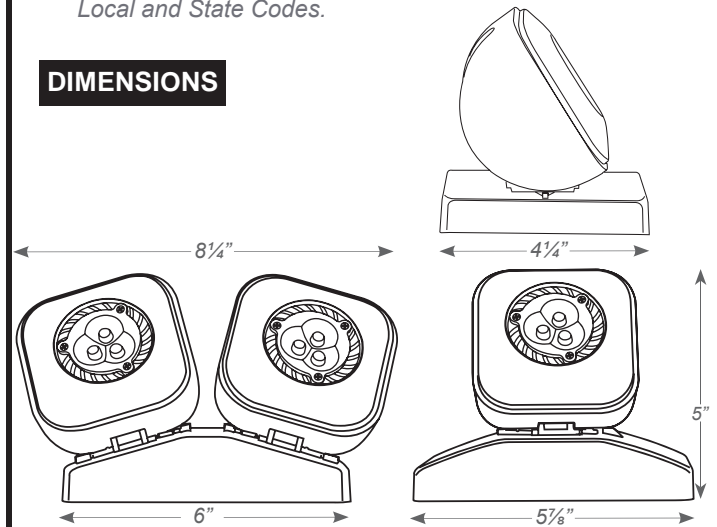
HOUSING

- Injection-molded, engineering grade, 5VA flame retardant, high-impact resistant, thermoplastic in white or black finish.

WARRANTY / LISTING

- Five year warranty.
- Meets UL924, NFPA 101 Life Safety Code, NEC, OSHA, Local and State Codes.

DIMENSIONS



FIXTURE COMPATIBILITY

Reference individual unit equipment specification sheets for remote load capacity availability.

MODEL TYPE			
VLEDTFX-2	VR-5HO	VTFX-2	VEZXTE-RC
VLEDCADXR	VR-16-HO	VNYDXR	VCLPU-RC
VRMR-16-65/125	VDXR	VCXTEU-RC	VCALEDXTEU-RC
	VLEDCXTEU-RC	VLEDR5-HO	

ORDERING INFORMATION

Sample Part Number: **VRH16LED-1-MV**

MODEL	No. of HEADS	COLOR	VOLTAGE
VRH16LED	1 Single Head	Blank White	MV For use with 3.6V, 6V, 9.6V or 12V batteries
	2 Double Head	B Black	



VRH16

INDOOR INCANDESCENT MR16 REMOTE HEADS



ILLUMINATION

- High performance MR16 halogen lamps with smooth metallized reflector and glass lens for optimal light distribution.
- Adjustable 6V and 12V lamp heads provide increased center-to-center spacing.

ELECTRICAL

- Powered from low voltage power source with low voltage wiring (not provided).

MOUNTING

- Universal mounting base plate included with mounting hardware.
- Distance of maximum run is determined by system voltage, wire gauge and total maximum wattage on the run.
- Suitable for wall or ceiling mount.

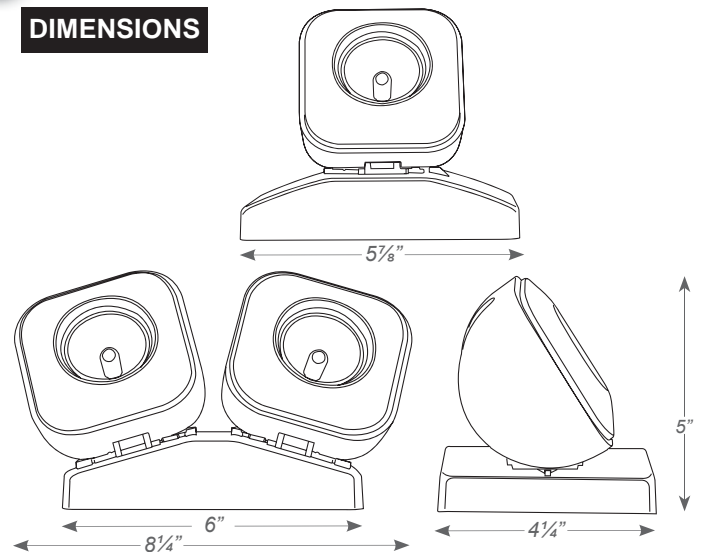
HOUSING

- Injection-molded, engineering grade, 5VA flame retardant, high-impact resistant, thermoplastic in white or black finish.

WARRANTY / LISTING

- Five year warranty.

DIMENSIONS



FIXTURE COMPATIBILITY

Reference individual unit equipment specification sheets for remote load capacity availability.

MODEL TYPE	6V	12V	MODEL TYPE	6V	12V
VNYDXR-50		X	VTFX-2	X	
VRMR-16-65	X		VNYDXR-27	X	
VRMR-16-125		X	VEZXTE-RC	X	
VR-5HO	X		VCXTE-RC	X	
VR-16-HO	X		VDXR-125/1210		X
VDXR-65/610	X		VCALEDXCXTE	X	
VLEDCADXR	X				

ORDERING INFORMATION

Sample Part Number: **VRH6-1-6V12W**

MODEL	No. of HEADS	COLOR	VOLTAGE	WATTAGE ¹
VRH16	1 Single Head	Blank White	6V For use with 6V batteries	5W ²
	2 Double Head	B Black	12V For use with 12V batteries	7W ² 10W ² 12W

¹ Wattage rating stated per head.

² Available in 6V units only.

VRH



INDOOR INCANDESCENT REMOTE HEADS



ILLUMINATION

- Smooth thermoplastic reflector with plastic lens for optimal light distribution.
- Adjustable lamp heads with 6V and 12V wedge base incandescent lamps provides increased center-to-center spacing.

ELECTRICAL

- Powered from low voltage power source with low voltage wiring (not provided).

MOUNTING

- Universal mounting base plate included with mounting hardware.
- Distance of maximum run is determined by system voltage, wire gauge and total maximum wattage on the run.
- Suitable for wall or ceiling mount.

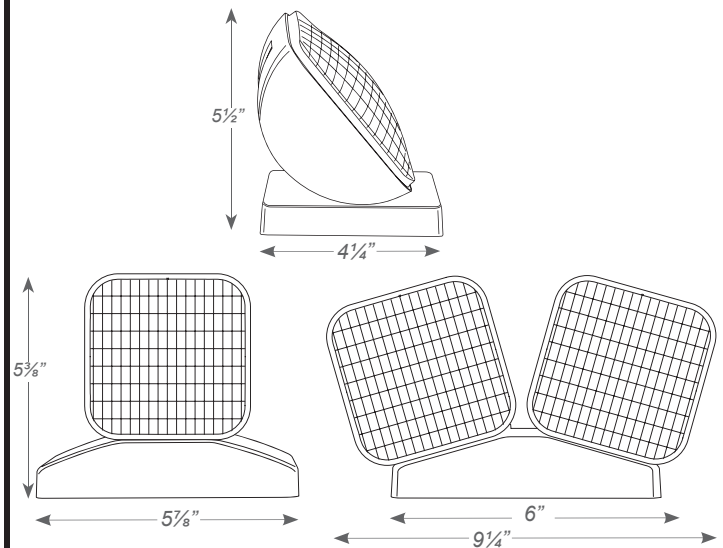
HOUSING

- Injection-molded, engineering grade, 5VA flame retardant, high-impact resistant, thermoplastic in white or black finish.

WARRANTY / LISTING

- Five year warranty.

DIMENSIONS



FIXTURE COMPATIBILITY

Reference individual unit equipment specification sheets for remote load capacity availability.

MODEL TYPE	6V	12V	MODEL TYPE	6V	12V
VNYDXR-50		X	VTFX-2	X	
VRMR-16-65	X		VNYDXR-27	X	
VRMR-16-125		X	VEZXTE-RC	X	
VR-5HO	X		VCXTE-RC	X	
VR-16-HO	X		VDXR-125/1210		X
VDXR-65/610	X		VCALEDXTE	X	
VLEDCDXR	X				

ORDERING INFORMATION

Sample Part Number: **VRH-1-6V5.4W**

MODEL	No. of HEADS	COLOR	VOLTAGE	WATTAGE ¹
VRH	1 Single Head	Blank White	6V For use with 6V batteries	5.4W ²
	2 Double Head	B Black	12V For use with 12V batteries	7.2W 9.0W 12.0W

¹ Wattage rating stated per head.

² Available in 6V units only.



VRHR

INDOOR ROUND INCANDESCENT REMOTE HEADS



ILLUMINATION

- Smooth chrome-plated metallized reflector with plastic lens for optimal light distribution.
- Adjustable lamp heads with 6V and 12V wedge base incandescent lamps provide increased center-to-center spacing.

ELECTRICAL

- Powered from low voltage power source with low voltage wiring (not provided).

MOUNTING

- Universal mounting base plate included with mounting hardware.
- Distance of maximum run is determined by system voltage, wire gauge and total maximum wattage on the run.
- Suitable for wall or ceiling mount.

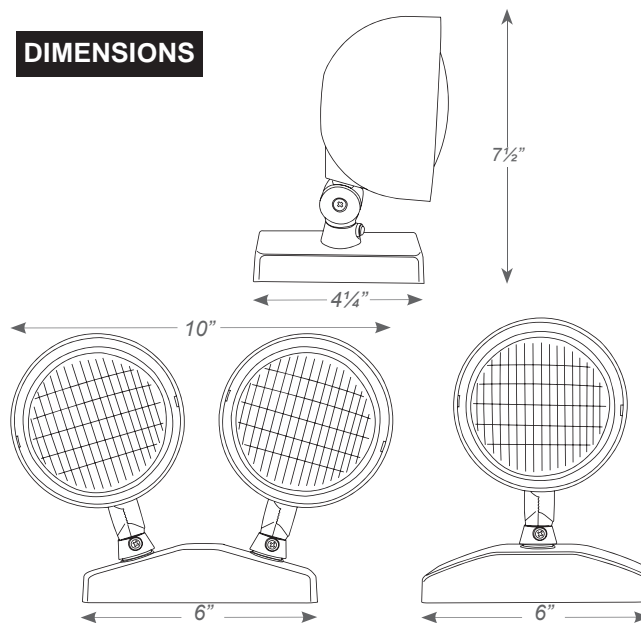
HOUSING

- Injection-molded, engineering grade, 5VA flame retardant, high-impact resistant, thermoplastic in white or black finish.

WARRANTY / LISTING

- Five year warranty.

DIMENSIONS



FIXTURE COMPATIBILITY

Reference individual unit equipment specification sheets for remote load capacity availability.

MODEL TYPE	6V	12V	MODEL TYPE	6V	12V
VNYDXR-50		X	VTFX-2	X	
VRMR-16-65	X		VNYDXR-27	X	
VRMR-16-125		X	VEZXTE-RC	X	
VR-5HO	X		VCXTE-RC	X	
VR-16-HO	X		VDXR-125/1210		X
VDXR-65/610	X		VCALEDXTE	X	
VLEDCADXR	X				

ORDERING INFORMATION

Sample Part Number: **VRHR-1-6V5.4W**

MODEL	No. of HEADS	COLOR	VOLTAGE	WATTAGE ¹
VRHR	1 Single Head	Blank White	6V For use with 6V batteries	5.4W ²
	2 Double Head	B Black	12V For use with 12V batteries	7.2W 9.0W 12.0W

¹ Wattage rating stated per head.

² Available in 6V units only.

VRH



OUTDOOR INCANDESCENT REMOTE HEADS



ILLUMINATION

- Smooth chrome-plated metallized reflector with plastic lens for optimal light distribution.
- Adjustable lamp heads with 6V and 12V wedge base incandescent lamps provide increased center-to-center spacing.

ELECTRICAL

- Powered from low voltage power source with low voltage wiring (not provided).

MOUNTING

- Universal mounting base mounts to single gang switch box.
- Distance of maximum run is determined by system voltage, wire gauge and total maximum wattage on the run.
- Suitable for wall or ceiling mount.

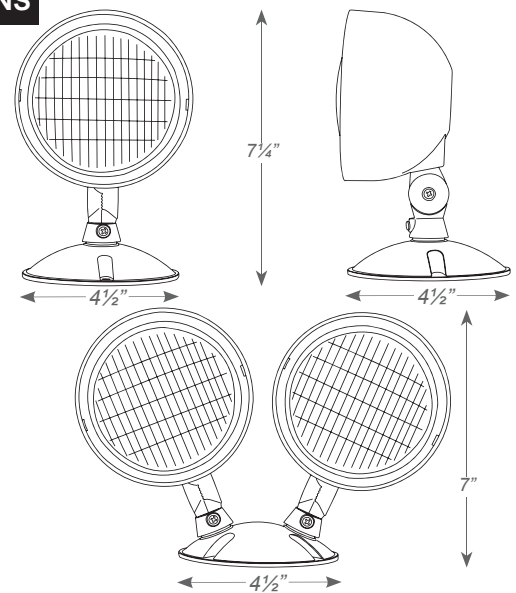
HOUSING

- Injection-molded, engineering grade, 5VA flame retardant, high-impact resistant, thermoplastic in gray or black finish.

WARRANTY / LISTING

- Five year warranty.

DIMENSIONS



FIXTURE COMPATIBILITY

Reference individual unit equipment specification sheets for remote load capacity availability.

MODEL TYPE	6V	12V	MODEL TYPE	6V	12V
VNYDXR-50		X	VTFX-2	X	
VRMR-16-65	X		VNYDXR-27	X	
VRMR-16-125		X	VEZXTE-RC	X	
VR-5HO	X		VCXTE-RC	X	
VR-16-HO	X		VDXR-125/1210		X
VDXR-65/610	X		VCALEDXTE	X	
VLEDCDXR	X				

ORDERING INFORMATION

Sample Part Number: **VRH1-WP-12V9W**

MODEL	No. of HEADS	COLOR		HOUSING	VOLTAGE		WATTAGE ¹
VRH	1	Blank	Gray	WP	Weatherproof (standard)	6V	5.4W ²
	2	B	Black			12V	7.2W
							9.0W
							12W

¹ Wattage rating stated per head.

² Available in 6V units only.



VBL6

RECHARGEABLE SEALED LEAD ACID BATTERIES

STANDARD



APPLICATION

- For use with lighting equipment, communications and electrical equipment, emergency lighting equipment and fire alarm & security systems.

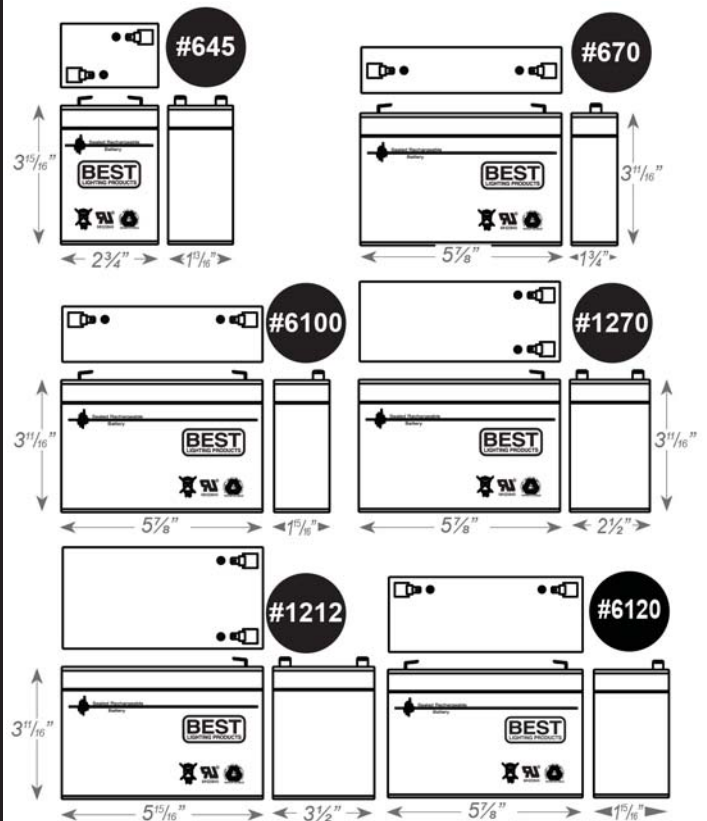
FEATURES

- Valve-regulated and safe to discharge in any position.
- Completely sealed and maintenance free, low self-discharge.
- Impact-resistant ABS housing.
- Will last up to 5 Years in standby applications and 200 to 1,000 cycles in cyclic applications depending on depth of discharge.
- Available in a variety of sizes and amp ratings.
- Provides reliable power output in a variety of applications, resulting in greater efficiency and improved ability to recover from deep discharge.
- Cycle or Standby use.
- Low resistance safety feature makes the batteries easy to recharge & maximizes energy output.
- Standard F1 or F2 "flat lugs" type terminal.

WARRANTY / LISTING

- Batteries are pro-rated warranted for 2 years.

DIMENSIONS



ORDERING INFORMATION

Sample Part Number: VBL6

MODEL	NOMINAL VOLTAGE	NOMINAL CURRENT	WEIGHT
VBL645	6 volts	4.5 Amp-Hr	1.6 lbs
VBL670	6 volts	7.0 Amp-Hr	2.4 lbs
VBL6100	6 volts	10.0 Amp-Hr	3.4 lbs
VBL6120	6 volts	12.0 Amp-Hr	4.0 lbs
VBL1212	12 volts	12.0 Amp-Hr	8.4 lbs
VBL1270	12 volts	7.0 Amp-Hr	4.9 lbs

EMERGENCY BACKUP



VMPS SERIES INVERTERS



Surface Mount Models



EMERGENCY MICRO POWER SYSTEMS

True Sinusoidal Output Power

STANDARD



DESCRIPTION

- MPS Series inverter systems are designed to provide sinusoidal AC emergency power to connected incandescent, fluorescent or LED fixtures of between 20 and 55 watts.
- Surface, recessed or ceiling T-Grid mount models are designed for easy installation either on or near controlled fixtures. MPS models support Normally-ON, Normally-OFF or SWITCHED operation.

ELECTRICAL SPECIFICATIONS

Input

- Input Voltages: (60Hz) 120 or 277VAC $\pm 10\%$
- Input Frequencies: 60Hz $\pm 2\%$
- Input Protection: Provided by Service Panel, Rated 20A max.

Output

- Output Voltages: (60Hz) 120 or 277VAC
- Waveform: Sinusoidal (digitally controlled)
- Output Frequencies: 60Hz. ± 0.3 Hz during emergency cycle
- Output Distortion: Less than 3% THD (linear load)
- Output Protection: Inverter fuse

HOUSING

- Heavy duty steel cabinet is finished in white baked-on powder paint providing scratch and corrosion resistance.
- Optional special color paint (-SP) finishes are available, consult factory.

SYSTEM OPTIONS ^{(1) (2)}

MODEL	SUFFIX	CAPACITY for 1½ Hrs		DESCRIPTION
		WATTS	VA	
VMPS-32	-S	32	125	Surface Mount Housing
VMPS-55	-R	55	125	Recess Mount Housing
VMPS-20	-T	20	250	Plenum Rated Ceiling T-Grid Mount Housing
VMPS-35	-SP	35	250	Special Housing Color (specify)

⁽¹⁾ Other options available. Consult factory.

⁽²⁾ Some options may impact product UL listing. Consult factory.

MOUNTING

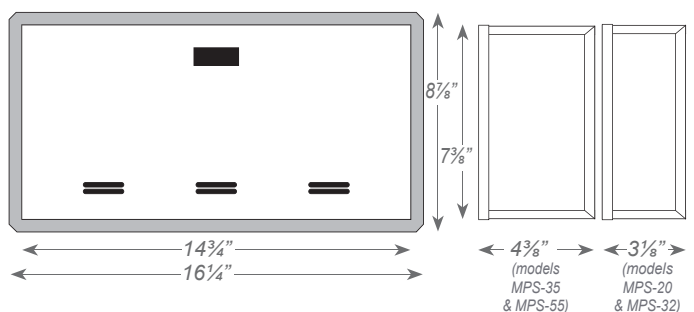
- Surface Mount:** Surface mount models are designed for mounting to walls by means of keyhole slots provided in the back of the unit housing.
- Recess Mount:** Recess models provide recess mounting holes on both sides of the enclosure.
- T-Grid Mount:** Housing design allows simple drop-in installation between T-grid runs. Safety wires (supplied by others) are required for attachment to building structure.

WARRANTY / LISTING

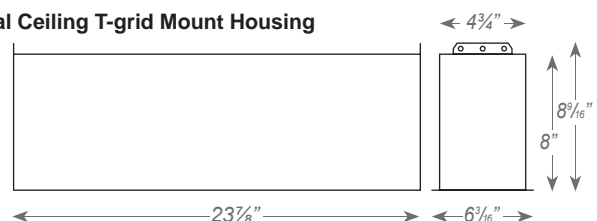
- Unit:** (excluding lamps) Full coverage against defects in materials and workmanship for 3 years from date of shipment.
- Battery:** 3 years full warranty plus an additional 7 years of pro-rata coverage.
- All models are UL924 Listed and meet NFPA 101 Life Safety Code, NEC, OSHA, Local and State Codes. Optional T-Grid models are plenum rated.

DIMENSIONS

Standard Surface Mount Housings



Optional Ceiling T-grid Mount Housing



VSPS SERIES INVERTERS



EMERGENCY POWER SYSTEMS



STANDARD



DESCRIPTION

- Mini-electrical inverter systems for powering up to 220W/250VA of incandescent, fluorescent, induction or LED lighting loads. Pulse width modulated (PWM) output design provides clean, 60Hz. sinusoidal emergency power to loads.
- Models are available for surface, recessed or T-Grid mounting as required.

ELECTRICAL SPECIFICATIONS

Input

- Input Voltages: 120 or 277VAC $\pm 10\%$
- Input Frequencies: 60Hz $\pm 2\%$
- Input Protection: AC Line Fuses

Output

- Output Voltages: (60Hz) 120 or 277VAC
- Waveform: Sinusoidal (digitally controlled)
- Output Frequencies: 60Hz. $\pm 0.3\text{Hz}$ during emergency cycle
- Output Distortion: Less than 3% THD (linear load)
- Output Protection: Line and inverter fuses

HOUSING

- Heavy duty steel cabinet is finished in white baked-on powder paint providing scratch and corrosion resistance.
- Optional special color paint (-SP) finishes are available, consult factory.

SYSTEM OPTIONS

MODEL	WATTAGE	VA RATING	OPTION	
VSPS	55 ¹	55	-S	Surface Mount Housing
	110	110	-R	Recess Mount Housing ³
	220 ²	110	-T	Plenum Rated Ceiling T-Grid Mount Housing ³
		220	-SP	Special Housing Color (specify)
			-4C	4 Output Circuit Switching

⁽¹⁾ Available only with 125 VA Rating

⁽²⁾ Available only with 250 VA Rating

⁽³⁾ Available with 55/125 and 110/125 models only

MOUNTING

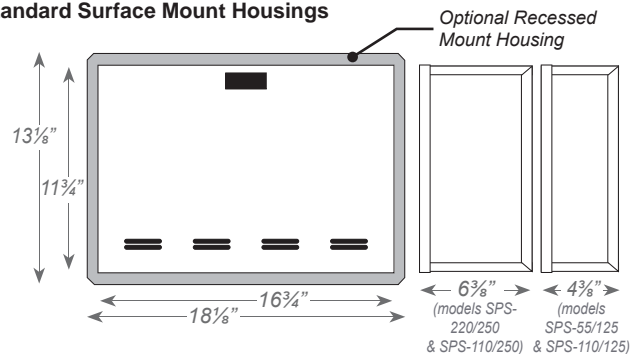
- **Surface Mount (Standard Models):** Surface mount models are designed for mounting to walls by means of keyhole slots provided in the back of the unit housing.
- **Recess Mount (SPS-55/125, SPS-110/125 Only):** Recess models provide recess mounting holes on both sides of the enclosure.
- **T-Grid Mount (SPS-55/125, SPS-110/125 Only):** Housing design allows simple drop-in installation between T-grid runs. Safety wires (supplied by others) are required for attachment to building structure.

WARRANTY / LISTING

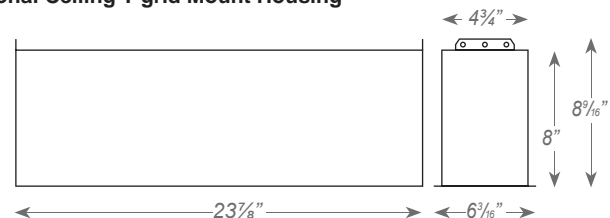
- **Unit:** (excluding lamps) Full coverage against defects in materials and workmanship for 3 years from date of shipment.
- **Battery:** 3 years full warranty plus an additional 7 years of pro-rata coverage.
- All models are UL924 Listed and meet NFPA 101 Life Safety Code, NEC, OSHA, Local and State Codes. Optional T-Grid models are plenum rated.

DIMENSIONS

Standard Surface Mount Housings



Optional Ceiling T-grid Mount Housing





LED EMERGENCY BALLAST

STANDARD



ILLUMINATION

- Works in conjunction with AC driver to operate LED lighting fixture in emergency mode.
- Operates connected load in the emergency mode for a minimum of 90-minutes.
- Provides full lumen output on connected LED board.

WARRANTY / LISTING

- Five year warranty against defects in material and workmanship (lamps excluded).
- Meets UL924, NFPA 101 Life Safety Code, NEC, OSHA, Local and State Codes.
- Suitable for Damp locations (0°C – 50°C).

ELECTRICAL

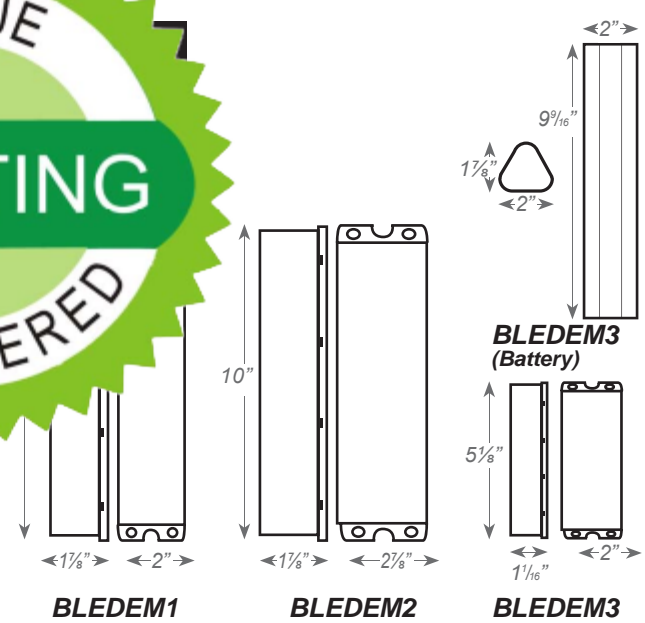
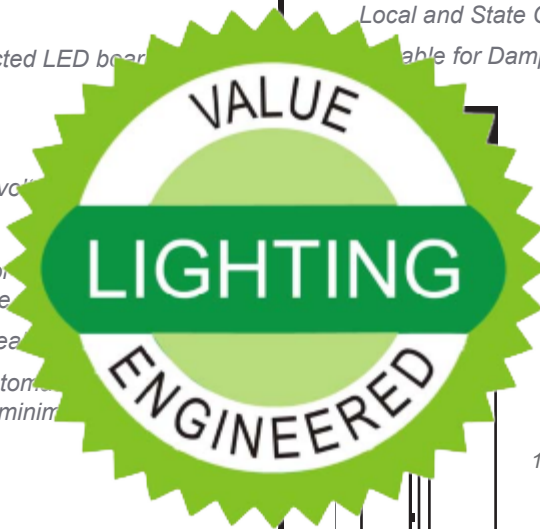
- Dual 120V/277 voltage or 120V/230 volt.
- 300mA constant current source.
- Charge rate/power 'ON' LED indicator switch for mandated code compliance.
- Long life, maintenance-free, rechargeable.
- Internal solid-state transfer switch automatically transfers the internal battery to LED board for minimum emergency illumination.

MOUNTING

- Factory installation only.
- Can be used in both switched and unswitched fixtures.

HOUSING

- Durable painted steel construction in white finish.



OUTPUT RATINGS:

MODEL #	WATTAGE CAPACITY	OUTPUT CURRENT	OUTPUT VOLTAGE
VBLED-1-1020	2.4 to 6 WATTS	300 MILLIAMPS	10 TO 20 VOLTS DC
VBLED-2-2035	6 to 10.5 WATTS	300 MILLIAMPS	20 TO 35 VOLTS DC
VBLED-3-2025	6 to 7.5 WATTS output 1	300 MILLIAMPS	20 to 25 VOLTS DC
VBLED-3-2025	6 to 7.5 WATTS output 2	300 MILLIAMPS	20 to 25 VOLTS DC

Sample Part Number: **VBLEDEM-2-2035-120/277**

ORDERING INFORMATION

MODEL	VOLTAGE	OPTIONS
VBLEDEM	-1-1020 6 Watts at 10-20VDC	-120/277 Voltage
	-2-2035 10 Watts at 20-35VDC	-120/230 Voltage
	-3-2025 15 Watts at 20-25VDC	

VBAL500



FLUORESCENT EMERGENCY BALLAST 500 LUMENS



LED Test switch included.

STANDARD



ILLUMINATION

- Works with or without an AC ballast to convert new or existing fluorescent fixtures in to unobtrusive emergency lighting.
- Operates one lamp in the emergency mode for a minimum of 90-minutes.
- Provides a maximum initial lumen output of 500 lumens.

ELECTRICAL

- Dual 120/277 voltage.
- Charge rate/power "ON" LED indicator light and push-to-test switch for mandated code compliance testing.
- 2.4V long-life, maintenance-free, rechargeable sealed NiCd battery.
- Internal solid-state transfer switch automatically connects the internal battery to fluorescent lamp for minimum 90-minute emergency illumination.
- Fully automatic solid-state, two rate charger initiates battery charging to recharge a discharged battery in 24 hours.

MOUNTING

- Suitable for installation inside, on top or in remote* of the fixture.
- Can be used in both switched and unswitched fixtures.
- UL Listed for factory or field installation.

HOUSING

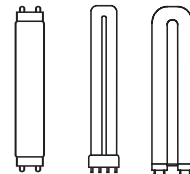
- Durable painted steel construction in white finish.
- Compact design fits most fluorescent fixtures.

WARRANTY / LISTING

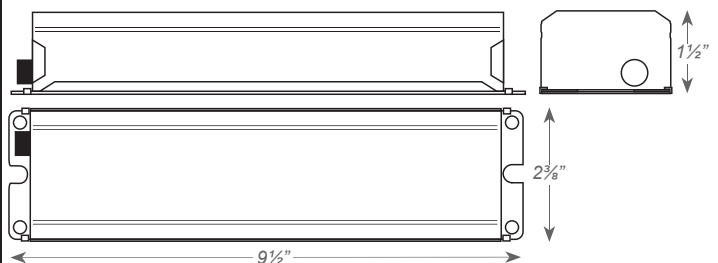
- Five year warranty against defects in material and workmanship (lamps excluded).
- Meets UL924, NFPA 101 Life Safety Code, NEC, OSHA, Local and State Codes.
- UL Listed for damp locations (0°C – 50°C).

LAMP COMPATIBILITY

- Compatible with most one-, two-, three-, and four-lamp electronic, standard and dimming AC ballasts.
- Operates one 17W-40W T8 through T12, one 13W-26W 4-pin compact, one 18W-36W 4-pin long compact fluorescent lamps. Refer to lamp compatibility chart for a complete list of lamps.



DIMENSIONS



* When battery packs are remote mounted, the remote distance cannot exceed 1/2 of the distance from ballast to lamp specified by the A.C. ballast manufacturer. The maximum allowable remote mounting distance is 50 feet.

LAMP	INITIAL LUMENS
	1-LAMP
T8 17W	450
T8 32W	500
T12 20W	425
T12 40W	450
4-Pin PL CF 26W	450

VBAL500ACTD



LED Test
switch included.

FLUORESCENT EMERGENCY BALLAST 500 LUMENS

STANDARD



ILLUMINATION

- Works with or without an AC ballast to convert new or existing fluorescent fixtures in to unobtrusive emergency lighting.
- Operates one lamp in the emergency mode for a minimum of 90-minutes.
- Provides a maximum initial lumen output of 500 lumens.

ELECTRICAL

- Dual 120/277 voltage.
- Charge rate/power "ON" LED indicator light and push-to-test switch for mandated code compliance testing.
- 3.6V long life, maintenance-free, rechargeable sealed NiCd battery.
- Internal solid-state transfer switch automatically connects the internal battery to fluorescent lamp for minimum 90-minute emergency illumination.
- Fully automatic solid-state, two rate charger initiates battery charging to recharge a discharged battery in 24 hours.
- AC output ensures compatibility with newer lamp technologies and helps prolong lamp life.
- Time delay enhancement to overcome end-of-life circuit protection.

MOUNTING

- Suitable for installation inside, on top or in remote* of the fixture.
- Can be used in both switched and unswitched fixtures.
- UL Listed for factory or field installation.

HOUSING

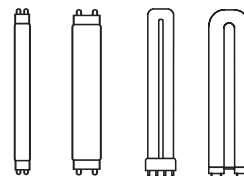
- Durable painted steel construction in white finish.
- Compact design fits most fluorescent fixtures.

WARRANTY / LISTING

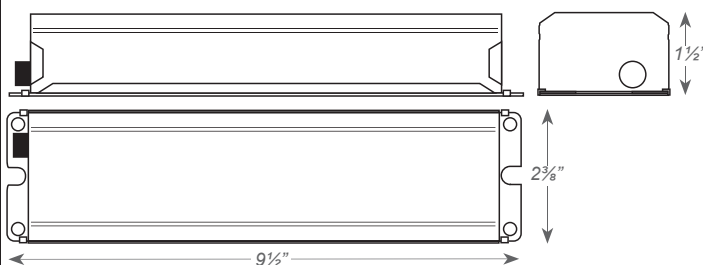
- Five year warranty against defects in material and workmanship (lamps excluded).
- Meets UL924, NFPA 101 Life Safety Code, NEC, OSHA, Local and State Codes.
- UL Listed for damp locations (0°C – 50°C).

LAMP COMPATIBILITY

- Compatible with most one-, two-, three-, and four-lamp electronic standard and dimming AC ballasts.
- Operates one 32W T8 or one 36W 4-pin long compact fluorescent lamps. Refer to lamp compatibility chart for a complete list of lamps.



DIMENSIONS



* When battery packs are remote mounted, the remote distance cannot exceed 1/2 of the distance from ballast to lamp specified by the A.C. ballast manufacturer. The maximum allowable remote mounting distance is 50 feet.

LAMP	INITIAL LUMENS
	1-LAMP
T8 32W	500
4-Pin Long CF 36W	475

VBAL500LPACTD



LOW PROFILE FLUORESCENT EMERGENCY BALLAST 500 LUMENS

STANDARD



ILLUMINATION

- Works with or without an AC ballast to convert new or existing fluorescent fixtures in to unobtrusive emergency lighting.
- Operates one lamp in the emergency mode for a minimum of 90-minutes.
- Provides a maximum initial lumen output of 500 lumens.

ELECTRICAL

- Dual 120/277 voltage.
- Charge rate/power "ON" LED indicator light and push-to-test switch for mandated code compliance testing.
- 4.8V long life, maintenance-free, rechargeable sealed NiCd battery.
- Internal solid-state transfer switch automatically connects the internal battery to fluorescent lamp for minimum 90-minute emergency illumination.
- Fully automatic solid-state, two rate charger initiates battery charging to recharge a discharged battery in 24 hours.
- AC output ensures compatibility with newer lamp technologies and helps prolong lamp life.
- Time delay enhancement to overcome end-of-life circuit protection.

MOUNTING

- Suitable for installation inside, on top or in remote* of the fixture.
- Can be used in both switched and unswitched fixtures.
- UL Listed for factory or field installation.

HOUSING

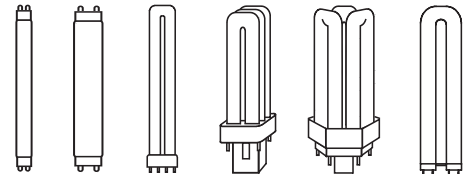
- Low profile galvanized steel construction.
- Compact design fits most fluorescent fixtures.

WARRANTY / LISTING

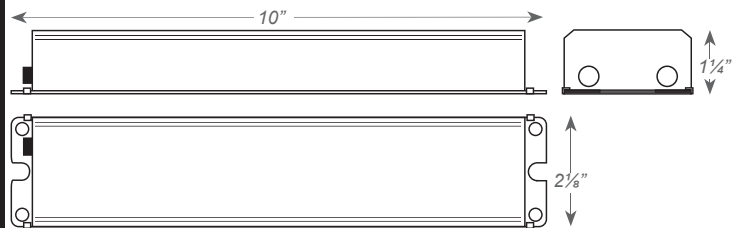
- Five year warranty against defects in material and workmanship (lamps excluded).
- Meets UL924, NFPA 101 Life Safety Code, NEC, OSHA, Local and State Codes.
- UL Listed for damp locations (0°C – 50°C).

LAMP COMPATIBILITY

- Compatible with most one-, two-, three-, and four-lamp electronic standard and dimming AC ballasts.
- Operates one 14W-28W, one 25W-40W T8, one 13W-26W 4-pin compact or one 18W 4-pin long compact fluorescent lamps. Refer to lamp compatibility chart for a complete list of lamps.



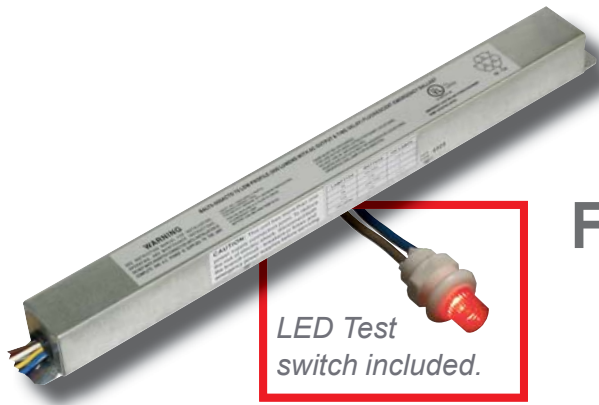
DIMENSIONS



LAMP	INITIAL LUMENS	LAMP	INITIAL LUMENS
	1-LAMP		1-LAMP
T5 14W	400	4-Pin PL CF 13W	350
T5 21W	450	4-Pin PL CF 18W	450
T5 28W	500	4-Pin PL CF 26W	500
T8 32W	500	4-Pin Long CF 18W	425

* When battery packs are remote mounted, the remote distance cannot exceed 1/2 of the distance from ballast to lamp specified by the A.C. ballast manufacturer. The maximum allowable remote mounting distance is 50 feet.

VBALT5-500ACTD



LED Test switch included.

LOW PROFILE T5 FLUORESCENT EMERGENCY BALLAST 500 LUMENS

STANDARD



ILLUMINATION

- Works with or without an AC ballast to convert new or existing fluorescent fixtures in to unobtrusive emergency lighting.
- Operates one lamp in the emergency mode for a minimum of 90-minutes.
- Provides a maximum initial lumen output of 500 lumens.

ELECTRICAL

- Dual 120/277 voltage.
- Charge rate/power "ON" LED indicator light and push-to-test switch for mandated code compliance testing.
- 3.6V long life, maintenance-free, rechargeable sealed NiCd battery.
- Internal solid-state transfer switch automatically connects the internal battery to fluorescent lamp for minimum 90-minute emergency illumination.
- Fully automatic solid-state, two rate charger initiates battery charging to recharge a discharged battery in 24 hours.
- AC output ensures compatibility with newer lamp technologies and helps prolong lamp life.
- Time delay enhancement to overcome end-of-life circuit protection.

MOUNTING

- Suitable for installation inside, on top or in remote* of the fixture.
- Can be used in both switched and unswitched fixtures.
- UL Listed for factory or field installation.

HOUSING

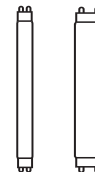
- Low profile galvanized steel construction.
- Compact design fits most fluorescent fixtures.

WARRANTY / LISTING

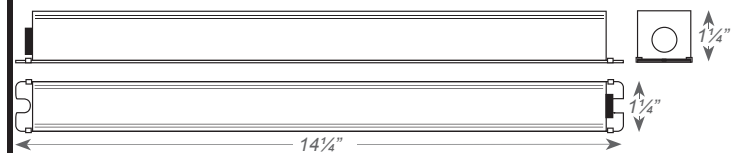
- Five year warranty against defects in material and workmanship (lamps excluded).
- Meets UL924, NFPA 101 Life Safety Code, NEC, OSHA, Local and State Codes.
- UL Listed for damp locations (0°C – 50°C).

LAMP COMPATIBILITY

- Compatible with most one-, two-, three-, and four-lamp electronic standard and dimming AC ballasts.
- Operates one 21W-28W T5 fluorescent lamp. Refer to lamp compatibility chart for a complete list of lamps.



DIMENSIONS



* When battery packs are remote mounted, the remote distance cannot exceed 1/2 of the distance from ballast to lamp specified by the A.C. ballast manufacturer. The maximum allowable remote mounting distance is 50 feet.

LAMP	INITIAL LUMENS
	1-LAMP
T5 21W	425
T5 28W	500

VBAL650C-2



FLUORESCENT EMERGENCY BALLAST 650 LUMENS



LED Test switch included.

STANDARD



ILLUMINATION

- Works with or without an AC ballast to convert new or existing fluorescent fixtures in to unobtrusive emergency lighting.
- Operates one lamp in the emergency mode for a minimum of 90-minutes.
- Provides a maximum initial lumen output of 650 lumens.

ELECTRICAL

- Dual 120/277 voltage.
- Charge rate/power "ON" LED indicator light and push-to-test switch for mandated code compliance testing.
- Long life, maintenance-free, rechargeable sealed NiCd battery.
- Internal solid-state transfer switch automatically connects the internal battery to fluorescent lamp for minimum 90-minute emergency illumination.
- Fully automatic solid-state, two rate charger initiates battery charging to recharge a discharged battery in 24 hours.

MOUNTING

- Suitable for installation inside, on top or in remote* of the fixture.
- Can be used in both switched and unswitched fixtures.
- UL Listed for factory or field installation.

HOUSING

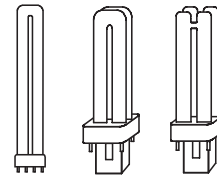
- Durable painted steel construction in white finish.
- Provided with 2' flex conduits on both ends.
- Compact design fits most fluorescent fixtures.

WARRANTY / LISTING

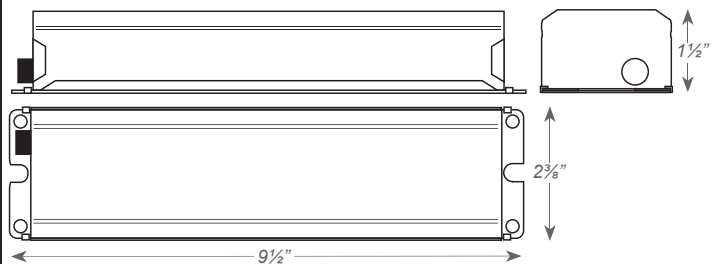
- Five year warranty against defects in material and workmanship (lamps excluded).
- Meets UL924, NFPA 101 Life Safety Code, NEC, OSHA, Local and State Codes.
- UL Listed for damp locations (0°C – 50°C).

LAMP COMPATIBILITY

- Compatible with most one-, two-, three-, and four-lamp electronic standard and dimming AC ballasts.
- Operates one 13W-26W, 2-pin compact fluorescent lamps with GX23 and G24D bases. Refer to lamp compatibility chart for a complete list of lamps.



DIMENSIONS



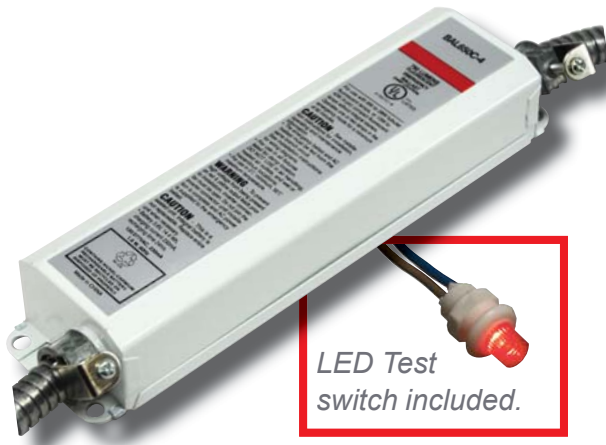
* When battery packs are remote mounted, the remote distance cannot exceed 1/2 of the distance from ballast to lamp specified by the A.C. ballast manufacturer. The maximum allowable remote mounting distance is 50 feet.

LAMP	INITIAL LUMENS
	1-LAMP
2-Pin PL CF 13W	380
2-Pin PL CF 18W	550
2-Pin PL CF 26W	650



VBAL650C-4

FLUORESCENT EMERGENCY BALLAST 750 LUMENS



LED Test switch included.

STANDARD



ILLUMINATION

- Works with or without an AC ballast to convert new or existing fluorescent fixtures in to unobtrusive emergency lighting.
- Operates one or two lamps in the emergency mode for a minimum of 90-minutes.
- Provides a maximum initial lumen output of 750 lumens.

ELECTRICAL

- Dual 120/277 voltage.
- Charge rate/power "ON" LED indicator light and push-to-test switch for mandated code compliance testing.
- 3.6V long life, maintenance-free, rechargeable sealed NiCd battery.
- Internal solid-state transfer switch automatically connects the internal battery to fluorescent lamp(s) for minimum 90-minute emergency illumination.
- Fully automatic solid-state, two rate charger initiates battery charging to recharge a discharged battery in 24 hours.

MOUNTING

- Suitable for installation inside, on top or in remote* of the fixture.
- Can be used in both switched and unswitched fixtures.
- UL Listed for factory or field installation.

HOUSING

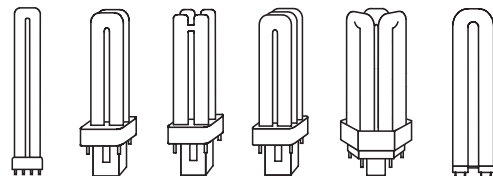
- Durable painted steel construction in white finish.
- Provided with 2' flex conduits on both ends.
- Compact design fits most fluorescent fixtures.

WARRANTY / LISTING

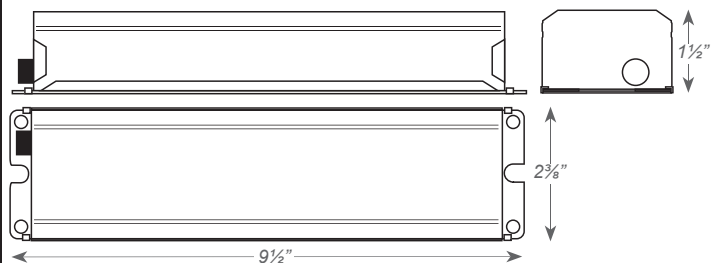
- Five year warranty against defects in material and workmanship (lamps excluded).
- Meets UL924, NFPA 101 Life Safety Code, NEC, OSHA, Local and State Codes.
- UL Listed for damp locations (0°C – 50°C).

LAMP COMPATIBILITY

- Compatible with most one-, two-, three-, and four-lamp electronic standard and dimming AC ballasts.
- Operates one 17W-40W T8 through T12, one or two 18W-26W 4-pin compact or one 18W-40W 4-pin long compact fluorescent lamps. Refer to lamp compatibility chart for a complete list of lamps.



DIMENSIONS



* When battery packs are remote mounted, the remote distance cannot exceed 1/2 of the distance from ballast to lamp specified by the A.C. ballast manufacturer. The maximum allowable remote mounting distance is 50 feet.

NOTE: In 2-lamp operation, lumens are equally split between the two lamps.

LAMP	INITIAL LUMENS		LAMP	INITIAL LUMENS	
	1-LAMP	2-LAMP		1-LAMP	2-LAMP
4-Pin PL CF 18W	400	550	4-Pin Long CF 18W	550	-
4-Pin PL CF 26W	475	650	4-Pin Long CF 24W	600	-
			4-Pin Long CF 36W	650	-

VBAL650C-4ACTD



FLUORESCENT EMERGENCY BALLAST 750 LUMENS



LED Test switch included.

STANDARD



ILLUMINATION

- Works with or without an AC ballast to convert new or existing fluorescent fixtures in to unobtrusive emergency lighting.
- Operates one lamp in the emergency mode for a minimum of 90-minutes.
- Provides a maximum initial lumen output of 750 lumens.

ELECTRICAL

- Dual 120/277 voltage.
- Charge rate/power "ON" LED indicator light and push-to-test switch for mandated code compliance testing.
- 3.6V long life, maintenance-free, rechargeable sealed NiCd battery.
- Internal solid-state transfer switch automatically connects the internal battery to fluorescent lamp for minimum 90-minute emergency illumination.
- Fully automatic solid-state, two rate charger initiates battery charging to recharge a discharged battery in 24 hours.
- AC output ensures compatibility with newer lamp technologies and helps prolong lamp life.
- Time delay enhancement to overcome end-of-life circuit protection.

MOUNTING

- Suitable for installation inside, on top or in remote* of the fixture.
- Can be used in both switched and unswitched fixtures.
- UL Listed for factory or field installation.

HOUSING

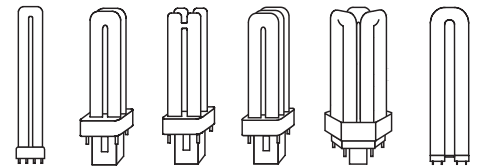
- Durable painted steel construction in white finish.
- Provided with 2' flex conduits on both ends.
- Compact design fits most fluorescent fixtures.

WARRANTY / LISTING

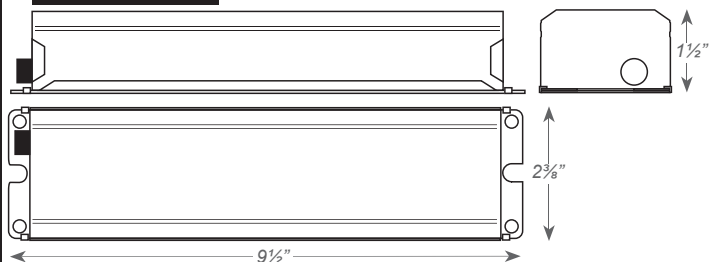
- Five year warranty against defects in material and workmanship (lamps excluded).
- Meets UL924, NFPA 101 Life Safety Code, NEC, OSHA, Local and State Codes.
- UL Listed for damp locations (0°C – 50°C).

LAMP COMPATIBILITY

- Compatible with most one-, two-, three-, and four-lamp electronic standard and dimming AC ballasts.
- Operates one 25W-40W T8 through T12, one 13W-42W 4-pin compact or one 18W-40W 4-pin long compact fluorescent lamps. Refer to lamp compatibility chart for a complete list of lamps.



DIMENSIONS



* When battery packs are remote mounted, the remote distance cannot exceed 1/2 of the distance from ballast to lamp specified by the A.C. ballast manufacturer. The maximum allowable remote mounting distance is 50 feet.

LAMP	INITIAL LUMENS	LAMP	INITIAL LUMENS	LAMP	INITIAL LUMENS
	1-LAMP		1-LAMP		1-LAMP
T8 32W	675	4-Pin PL CF 26W	575	4-Pin Long CF 18W	525
T12 40W	650	4-Pin PL CF 32W	675	4-Pin Long CF 24W	575
4-Pin PL CF 13W	450	4-Pin PL CF 42W	750	4-Pin Long CF 36W	600
4-Pin PL CF 18W	500			4-Pin Long CF 40W	650



VBAL700

FLUORESCENT EMERGENCY BALLAST 700 LUMENS



STANDARD



ILLUMINATION

- Works with or without an AC ballast to convert new or existing fluorescent fixtures in to unobtrusive emergency lighting.
- Operates one or two lamps in the emergency mode for a minimum of 90-minutes.
- Provides a maximum initial lumen output of 700 lumens.

ELECTRICAL

- Dual 120/277 voltage.
- Charge rate/power "ON" LED indicator light and push-to-test switch for mandated code compliance testing.
- 3.6V long life, maintenance-free, rechargeable sealed NiCd battery.
- Internal solid-state transfer switch automatically connects the internal battery to fluorescent lamp(s) for minimum 90-minute emergency illumination.
- Fully automatic solid-state, two rate charger initiates battery charging to recharge a discharged battery in 24 hours.

MOUNTING

- Suitable for installation inside, on top or in remote* of the fixture.
- Can be used in both switched and unswitched fixtures.
- UL Listed for factory or field installation.

HOUSING

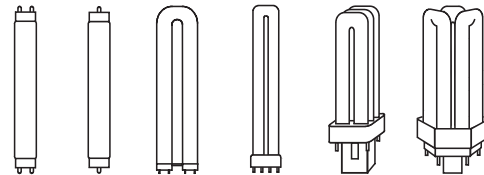
- Durable painted steel construction in white finish.
- Compact design fits most fluorescent fixtures.

WARRANTY / LISTING

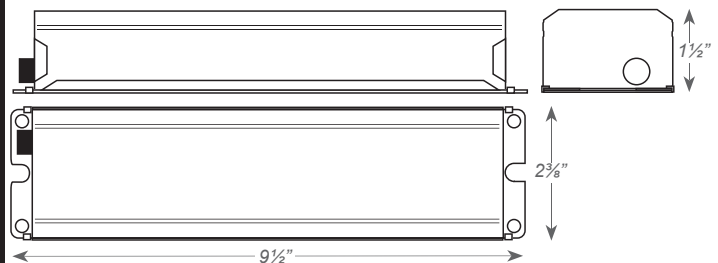
- Five year warranty against defects in material and workmanship (lamps excluded).
- Meets UL924, NFPA 101 Life Safety Code, NEC, OSHA, Local and State Codes.
- UL Listed for damp locations (0°C – 50°C).

LAMP COMPATIBILITY

- Compatible with most one-, two-, three-, and four-lamp electronic standard and dimming AC ballasts.
- Operates one 25W-40W T8 or one 25W-110W fluorescent lamp. Refer to lamp compatibility chart for a complete list of lamps.



DIMENSIONS



* When battery packs are remote mounted, the remote distance cannot exceed 1/2 of the distance from ballast to lamp specified by the A.C. ballast manufacturer. The maximum allowable remote mounting distance is 50 feet.

NOTE: In 2-lamp operation, lumens are equally split between the two lamps.

LAMP	INITIAL LUMENS	
	1-LAMP	2-LAMP
T8 32W	600	700
T12 20W	475	600
T12 40W	625	650
T12 110W	650	-

VBAL700ACTD



FLUORESCENT EMERGENCY BALLAST 700 LUMENS



STANDARD



ILLUMINATION

- Works with or without an AC ballast to convert new or existing fluorescent fixtures in to unobtrusive emergency lighting.
- Operates one lamp in the emergency mode for a minimum of 90-minutes.
- Provides a maximum initial lumen output of 700 lumens.

ELECTRICAL

- Dual 120/277 voltage.
- Charge rate/power "ON" LED indicator light and push-to-test switch for mandated code compliance testing.
- 3.6V long life, maintenance-free, rechargeable sealed NiCd battery.
- Internal solid-state transfer switch automatically connects the internal battery to fluorescent lamp for minimum 90-minute emergency illumination.
- Fully automatic solid-state, two rate charger initiates battery charging to recharge a discharged battery in 24 hours.
- AC output ensures compatibility with newer lamp technologies and helps prolong lamp life.
- Time delay enhancement to overcome end-of-life circuit protection.

MOUNTING

- Suitable for installation inside, on top or in remote* of the fixture.
- Can be used in both switched and unswitched fixtures.
- UL Listed for factory or field installation.

HOUSING

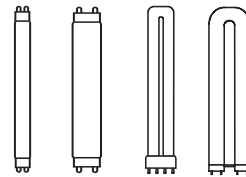
- Durable painted steel construction in white finish.
- Compact design fits most fluorescent fixtures.

WARRANTY / LISTING

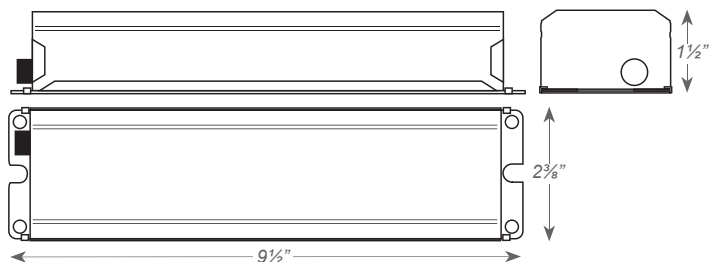
- Five year warranty against defects in material and workmanship (lamps excluded).
- Meets UL924, NFPA 101 Life Safety Code, NEC, OSHA, Local and State Codes.
- UL Listed for damp locations (0°C – 50°C).

LAMP COMPATIBILITY

- Compatible with most one-, two-, three-, and four-lamp electronic standard and dimming AC ballasts.
- Operates one 8W-14W T5, one 17W-40W T8 through T12, one 13W-26W 4-pin compact or one 18W-36W 4-pin long compact fluorescent lamps. Refer to lamp compatibility chart for a complete list of lamps.



DIMENSIONS



* When battery packs are remote mounted, the remote distance cannot exceed 1/2 of the distance from ballast to lamp specified by the A.C. ballast manufacturer. The maximum allowable remote mounting distance is 50 feet.

LAMP	INITIAL LUMENS	LAMP	INITIAL LUMENS	LAMP	INITIAL LUMENS
	1-LAMP		1-LAMP		1-LAMP
T5 14W	650	T12 40W	650	4-Pin PL CF 32W	650
T8 17W	500	4-Pin PL CF 13W	450	4-Pin Long CF 18W	525
T8 32W	700	4-Pin PL CF 18W	475	4-Pin Long CF 24W	600
T12 20W	525	4-Pin PL CF 26W	575	4-Pin Long CF 36W	650

VBAL700LPACTD



LED Test switch included.

LOW PROFILE FLUORESCENT EMERGENCY BALLAST 700 LUMENS

STANDARD



ILLUMINATION

- Works with or without an AC ballast to convert new or existing fluorescent fixtures in to unobtrusive emergency lighting.
- Operates one lamp in the emergency mode for a minimum of 90-minutes.
- Provides a maximum initial lumen output of 700 lumens.

ELECTRICAL

- Dual 120/277 voltage.
- Charge rate/power "ON" LED indicator light and push-to-test switch for mandated code compliance testing.
- 6V long life, maintenance-free, rechargeable sealed NiCd battery.
- Internal solid-state transfer switch automatically connects the internal battery to fluorescent lamp for minimum 90-minute emergency illumination.
- Fully automatic solid-state, two rate charger initiates battery charging to recharge a discharged battery in 24 hours.
- AC output ensures compatibility with newer lamp technologies and helps prolong lamp life.
- Time delay enhancement to overcome end-of-life circuit protection.

MOUNTING

- Suitable for installation inside, on top or in remote* of the fixture.
- Can be used in both switched and unswitched fixtures.
- UL Listed for factory or field installation.

HOUSING

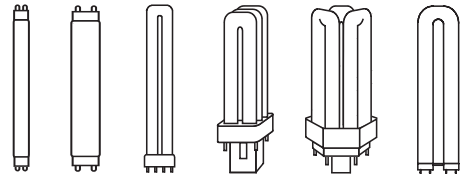
- Low profile galvanized steel construction.
- Compact design fits most fluorescent fixtures.

WARRANTY / LISTING

- Five year warranty against defects in material and workmanship (lamps excluded).
- Meets UL924, NFPA 101 Life Safety Code, NEC, OSHA, Local and State Codes.
- UL Listed for damp locations (0°C – 50°C).

LAMP COMPATIBILITY

- Compatible with most one-, two-, three-, and four-lamp electronic standard and dimming AC ballasts.
- Operates one 14W-39W T5/T5HO, one 17W-40W T8 through T12, one 13W-26W 4-pin compact or one 18W-50W 4-pin long compact fluorescent lamps. Refer to lamp compatibility chart for a complete list of lamps.



DIMENSIONS



LAMP	INITIAL LUMENS	LAMP	INITIAL LUMENS	LAMP	INITIAL LUMENS
	1-LAMP		1-LAMP		1-LAMP
T5 14W	550	T12 20W	625	4-Pin Long CF 18W	550
T5 21W	600	T12 40W	675	4-Pin Long CF 24W	575
T5 28W	625	4-Pin PL CF 13W	475	4-Pin Long CF 36W	625
T5HO 39W	700	4-Pin PL CF 18W	500	4-Pin Long CF 40W	650
T8 17W	550	4-Pin PL CF 26W	600	4-Pin Long CF 50W	650
T8 32W	650				

* When battery packs are remote mounted, the remote distance cannot exceed 1/2 of the distance from ballast to lamp specified by the A.C. ballast manufacturer. The maximum allowable remote mounting distance is 50 feet.

VBALT5-800ACTD



LOW PROFILE T5 FLUORESCENT EMERGENCY BALLAST 800 LUMENS

STANDARD



ILLUMINATION

- Works with or without an AC ballast to convert new or existing fluorescent fixtures in to unobtrusive emergency lighting.
- Operates one lamp in the emergency mode for a minimum of 90-minutes.
- Provides a maximum initial lumen output of 800 lumens.

ELECTRICAL

- Dual 120/277 voltage.
- Charge rate/power "ON" LED indicator light and push-to-test switch for mandated code compliance testing.
- 6V long life, maintenance-free, rechargeable sealed NiCd battery.
- Internal solid-state transfer switch automatically connects the internal battery to fluorescent lamp for minimum 90-minute emergency illumination.
- Fully automatic solid-state, two rate charger initiates battery charging to recharge a discharged battery in 24 hours.
- AC output ensures compatibility with newer lamp technologies and helps prolong lamp life.
- Time delay enhancement to overcome end-of-life circuit protection.

MOUNTING

- Suitable for installation inside, on top or in remote* of the fixture.
- Can be used in both switched and unswitched fixtures.
- UL Listed for factory or field installation.



HOUSING

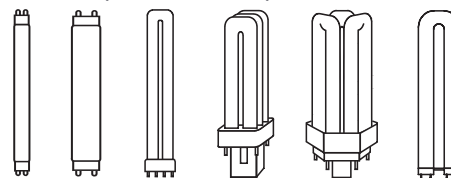
- Low profile galvanized steel construction.
- Compact design fits most fluorescent fixtures.

WARRANTY / LISTING

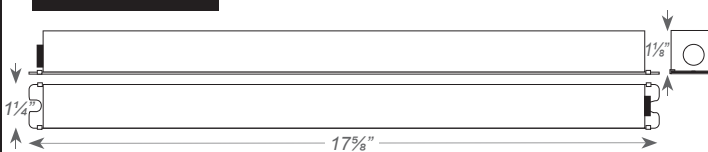
- Five year warranty against defects in material and workmanship (lamps excluded).
- Meets UL924, NFPA 101 Life Safety Code, NEC, OSHA, Local and State Codes.
- UL Listed for damp locations (0°C – 50°C).

LAMP COMPATIBILITY

- Compatible with most one-, two-, three-, and four-lamp electronic standard and dimming AC ballasts.
- Operates one 14W-54W T5/T5HO, one 17W-40W T8 through T12, one 13W-26W 4-pin compact or one 18W-50W 4-pin long compact fluorescent lamps. Refer to lamp compatibility chart for a complete list of lamps.



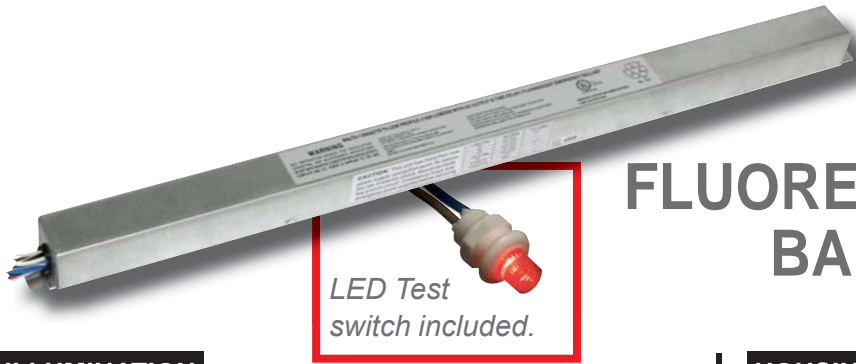
DIMENSIONS



* When battery packs are remote mounted, the remote distance cannot exceed 1/2 of the distance from ballast to lamp specified by the A.C. ballast manufacturer. The maximum allowable remote mounting distance is 50 feet.

LAMP	INITIAL LUMENS	LAMP	INITIAL LUMENS
	1-LAMP		1-LAMP
T5 14W	450	4-Pin PL CF 13W	425
T5 21W	500	4-Pin PL CF 18W	575
T5 28W	750	4-Pin PL CF 26W	625
T5HO 54W	800	4-Pin Long CF 18W	550
T8 17W	650	4-Pin Long CF 24W	625
T8 32W	700	4-Pin Long CF 36W	675
T12 20W	625	4-Pin Long CF 40W	675
T12 40W	700	4-Pin Long CF 50W	725

VBALT5-1300ACTD



LED Test switch included.

LOW PROFILE T5 FLUORESCENT EMERGENCY BALLAST 1300 LUMENS

STANDARD



ILLUMINATION

- Works with or without an AC ballast to convert new or existing fluorescent fixtures in to unobtrusive emergency lighting.
- Operates one lamp in the emergency mode for a minimum of 90-minutes.
- Provides a maximum initial lumen output of 1300 lumens.

ELECTRICAL

- Dual 120/277 voltage.
- Charge rate/power "ON" LED indicator light and push-to-test switch for mandated code compliance testing.
- 8.4V long life, maintenance-free, rechargeable sealed NiCd battery.
- Internal solid-state transfer switch automatically connects the internal battery to fluorescent lamp for minimum 90-minute emergency illumination.
- Fully automatic solid-state, two rate charger initiates battery charging to recharge a discharged battery in 24 hours.
- AC output ensures compatibility with newer lamp technologies and helps prolong lamp life.
- Time delay enhancement to overcome end-of-life circuit protection.

MOUNTING

- Suitable for installation inside, on top or in remote* of the fixture.
- Can be used in both switched and unswitched fixtures.
- UL Listed for factory or field installation.

HOUSING

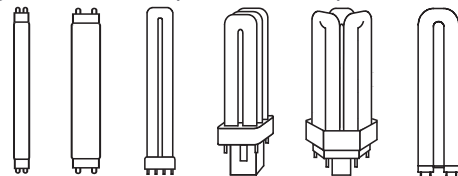
- Low profile galvanized steel construction.
- Compact design fits most fluorescent fixtures.

WARRANTY / LISTING

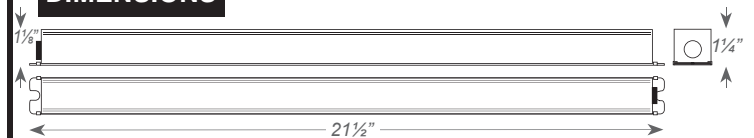
- Five year warranty against defects in material and workmanship (lamps excluded).
- Meets UL924, NFPA 101 Life Safety Code, NEC, OSHA, Local and State Codes.
- UL Listed for damp locations (0°C – 50°C).

LAMP COMPATIBILITY

- Compatible with most one-, two-, three-, and four-lamp electronic standard and dimming AC ballasts.
- Operates one 14W-54W T5/T5HO, one 17W-40W T8 through T12, one 13W-26W 4-pin compact or one 18W-50W 4-pin long compact fluorescent lamp. Refer to lamp compatibility chart for a complete list of lamps.



DIMENSIONS



* When battery packs are remote mounted, the remote distance cannot exceed 1/2 of the distance from ballast to lamp specified by the A.C. ballast manufacturer. The maximum allowable remote mounting distance is 50 feet.

LAMP	INITIAL LUMENS	LAMP	INITIAL LUMENS	LAMP	INITIAL LUMENS
	1-LAMP		1-LAMP		1-LAMP
T5 14W	700	T8 32W	1100	4-Pin Long CF 18W	925
T5 21W	850	T12 20W	900	4-Pin Long CF 24W	950
T5 28W	1100	T12 40W	1200	4-Pin Long CF 36W	1025
T5HO 39W	1200	4-Pin PL CF 13W	800	4-Pin Long CF 40W	1050
T5HO 54W	1300	4-Pin PL CF 18W	950	4-Pin Long CF 50W	1100
T8 17W	950	4-Pin PL CF 26W	975		

VBAL1400



FLUORESCENT EMERGENCY BALLAST 1400 LUMENS



LED Test switch included.

STANDARD



ILLUMINATION

- Works with or without an AC ballast to convert new or existing fluorescent fixtures in to unobtrusive emergency lighting.
- Operates one or two lamps in the emergency mode for a minimum of 90-minutes.
- Provides a maximum initial lumen output of 1400 lumens.

ELECTRICAL

- Dual 120/277 voltage.
- Charge rate/power "ON" LED indicator light and push-to-test switch for mandated code compliance testing.
- 6V long life, maintenance-free, rechargeable sealed NiCd battery.
- Internal solid-state transfer switch automatically connects the internal battery to fluorescent lamp(s) for minimum 90-minute emergency illumination.
- Fully automatic solid-state, two rate charger initiates battery charging to recharge a discharged battery in 24 hours.

MOUNTING

- Suitable for installation inside, on top or in remote* of the fixture.
- Can be used in both switched and unswitched fixtures.
- UL Listed for factory or field installation.

HOUSING

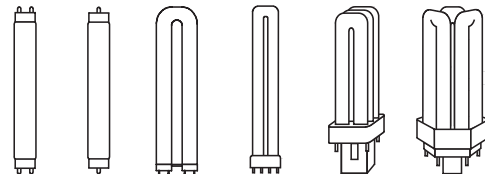
- Durable painted steel construction in white finish.
- Compact design fits most fluorescent fixtures.

WARRANTY / LISTING

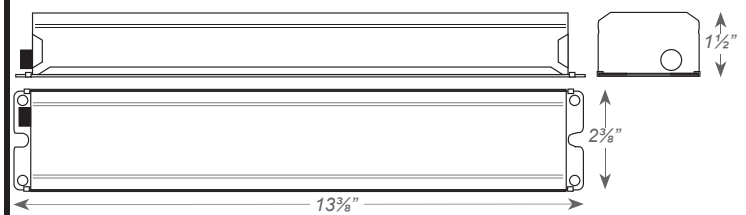
- Five year warranty against defects in material and workmanship (lamps excluded).
- Meets UL924, NFPA 101 Life Safety Code, NEC, OSHA, Local and State Codes.
- UL Listed for damp locations (0°C – 50°C).

LAMP COMPATIBILITY

- Compatible with most one-, two-, three-, and four-lamp electronic standard and dimming AC ballasts.
- Operates two 17W-40W T8, one 30W-110W T12, two 13W-26W, one 13W-42W 4-pin compact, two 18W-36W or one 18W-55W 4-pin long compact fluorescent lamp. Refer to lamp compatibility chart for a complete list of lamps.



DIMENSIONS



* When battery packs are remote mounted, the remote distance cannot exceed 1/2 of the distance from ballast to lamp specified by the A.C. ballast manufacturer. The maximum allowable remote mounting distance is 50 feet.

NOTE: In 2-lamp operation, lumens are equally split between the two lamps.

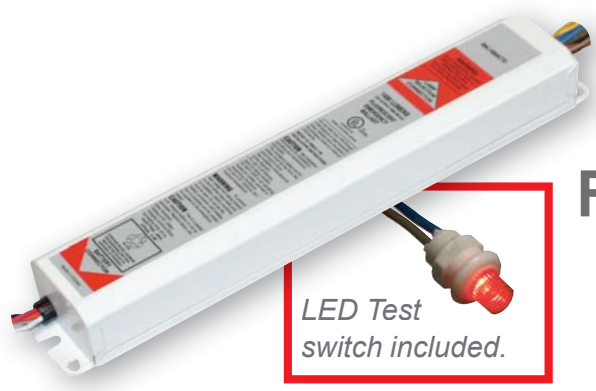
LAMP	INITIAL LUMENS	
	1-LAMP	2-LAMP
T8 17W	1050	1200
T8 32W	1350	1400
T12 20W	700	800
T12 40W	850	900
T12 110W	1350	-

LAMP	INITIAL LUMENS	
	1-LAMP	2-LAMP
4-Pin PL CF 13W	825	900
4-Pin PL CF 18W	975	1100
4-Pin PL CF 26W	1000	1100
4-Pin PL CF 42W	1150	-

LAMP	INITIAL LUMENS	
	1-LAMP	2-LAMP
4-Pin Long CF 18W	900	1050
4-Pin Long CF 24W	1100	1150
4-Pin Long CF 36W	1200	1250
4-Pin Long CF 40W	1250	-
4-Pin Long CF 50W	1250	-



VBAL1400ACTD



LED Test switch included.

FLUORESCENT EMERGENCY BALLAST 1400 LUMENS

STANDARD



ILLUMINATION

- Works with or without an AC ballast to convert new or existing fluorescent fixtures in to unobtrusive emergency lighting.
- Operates one or two lamps in the emergency mode for a minimum of 90-minutes.
- Provides a maximum initial lumen output of 1400 lumens.

ELECTRICAL

- Dual 120/277 voltage.
- Charge rate/power "ON" LED indicator light and push-to-test switch for mandated code compliance testing.
- 6V long life, maintenance-free, rechargeable sealed NiCd battery.
- Internal solid-state transfer switch automatically connects the internal battery to fluorescent lamp(s) for minimum 90-minute emergency illumination.
- Fully automatic solid-state, two rate charger initiates battery charging to recharge a discharged battery in 24 hours.
- AC output ensures compatibility with newer lamp technologies and helps prolong lamp life.
- Time delay enhancement to overcome end-of-life circuit protection.

MOUNTING

- Suitable for installation inside, on top or in remote* of the fixture.
- Can be used in both switched and unswitched fixtures.
- UL Listed for factory or field installation.

HOUSING

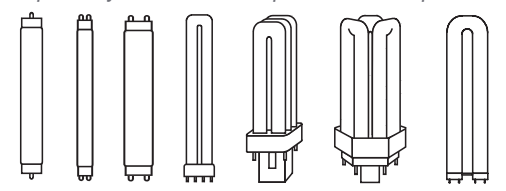
- Durable painted steel construction in white finish.
- Compact design fits most fluorescent fixtures.

WARRANTY / LISTING

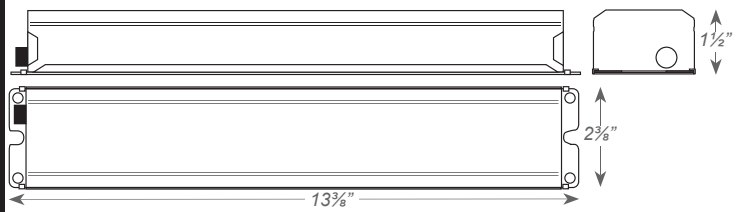
- Five year warranty against defects in material and workmanship (lamps excluded).
- Meets UL924, NFPA 101 Life Safety Code, NEC, OSHA, Local and State Codes.
- UL Listed for damp locations (0°C – 50°C).

LAMP COMPATIBILITY

- Compatible with most one-, two-, three-, and four-lamp electronic standard and dimming AC ballasts.
- Operates two 14W-28W T5, one 39W-54W T5HO, two 17W-40W T8, one 34W-215W T12, two 13W-26W 4-pin compact, two 18W-36W or one 18W-50W 4-pin long compact fluorescent lamps. Refer to lamp compatibility chart for a complete list of lamps.



DIMENSIONS



LAMP	INITIAL LUMENS		LAMP	INITIAL LUMENS		LAMP	INITIAL LUMENS	
	1-LAMP	2-LAMP		1-LAMP	2-LAMP		1-LAMP	2-LAMP
T5 14W	1100	1200	T12 20W	700	800	4-Pin PL CF 26W	1000	1100
T5 21W	1150	1250	T12 40W	850	900	4-Pin PL CF 32W	1050	1150
T5 28W	1250	1300	T12 110W	1350	-	4-Pin Long CF 18W	900	1050
T5HO 39W	1300	-	T12 215W	1400	-	4-Pin Long CF 24W	1100	1150
T5HO 54W	1350	-	4-Pin PL CF 13W	825	900	4-Pin Long CF 36W	1200	1250
T8 17W	1050	1200	4-Pin PL CF 18W	975	1100	4-Pin Long CF 40W	1250	-
T8 32W	1350	1400				4-Pin Long CF 50W	1250	-

* When battery packs are remote mounted, the remote distance cannot exceed 1/2 of the distance from ballast to lamp specified by the A.C. ballast manufacturer. The maximum allowable remote mounting distance is 50 feet.

VBAL1400LPACTD



LOW PROFILE FLUORESCENT EMERGENCY BALLAST 1400 LUMENS

STANDARD



ILLUMINATION

- Works with or without an AC ballast to convert new or existing fluorescent fixtures in to unobtrusive emergency lighting.
- Operates one or two lamps in the emergency mode for a minimum of 90-minutes.
- Provides a maximum initial lumen output of 1400 lumens.

ELECTRICAL

- Dual 120/277 voltage.
- Charge rate/power "ON" LED indicator light and push-to-test switch for mandated code compliance testing.
- 12V long life, maintenance-free, rechargeable sealed NiCd battery.
- Internal solid-state transfer switch automatically connects the internal battery to fluorescent lamp for minimum 90-minute emergency illumination.
- Fully automatic solid-state, two rate charger initiates battery charging to recharge a discharged battery in 24 hours.
- AC output ensures compatibility with newer lamp technologies and helps prolong lamp life.
- Time delay enhancement to overcome end-of-life circuit protection.

MOUNTING

- Suitable for installation inside, on top or in remote* of the fixture.
- Can be used in both switched and unswitched fixtures.
- UL Listed for factory or field installation.



HOUSING

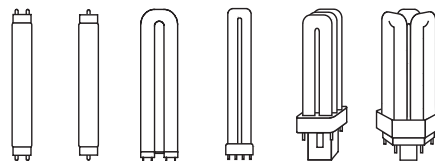
- Low profile galvanized steel construction.
- Compact design fits most fluorescent fixtures.

WARRANTY / LISTING

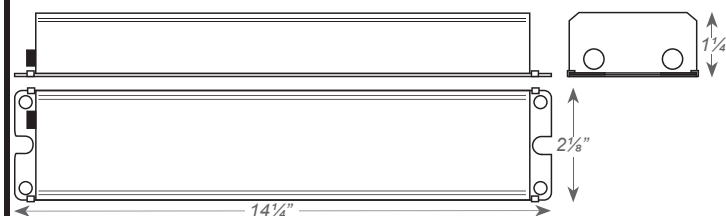
- Five year warranty against defects in material and workmanship (lamps excluded).
- Meets UL924, NFPA 101 Life Safety Code, NEC, OSHA, Local and State Codes.
- UL Listed for damp locations (0°C – 50°C).

LAMP COMPATIBILITY

- Compatible with most one-, two-, three-, and four-lamp electronic standard and dimming AC ballasts.
- Operates two 28W T5, one 39W-54W T5HO, two 17W-40W T8 through T12, two 13W-26W 4-pin compact or two 18W-50W 4-pin long compact fluorescent lamps. Refer to lamp compatibility chart for a complete list of lamps.



DIMENSIONS



* When battery packs are remote mounted, the remote distance cannot exceed 1/2 of the distance from ballast to lamp specified by the A.C. ballast manufacturer. The maximum allowable remote mounting distance is 50 feet.

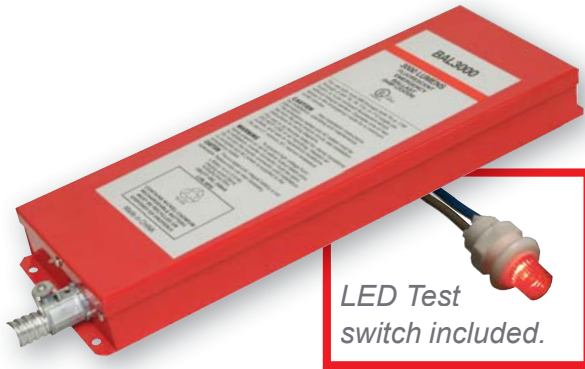
NOTE: In 2-lamp operation, lumens are equally split between the two lamps.

LAMP	INITIAL LUMENS		LAMP	INITIAL LUMENS		LAMP	INITIAL LUMENS	
	1-LAMP	2-LAMP		1-LAMP	2-LAMP		1-LAMP	2-LAMP
T5 28W	1250	1300	T12 20W	700	800	4-Pin PL CF 26W	1000	1100
T5HO 39W	1300	-	T12 40W	850	900	4-Pin Long CF 18W	900	1050
T5HO 54W	1350	-	4-Pin PL CF 13W	825	900	4-Pin Long CF 24W	1100	1150
T8 17W	1050	1200	4-Pin PL CF 18W	975	1100	4-Pin Long CF 36W	1200	1250
T8 32W	1350	1400				4-Pin Long CF 40W	1250	1300



VBAL3000

FLUORESCENT EMERGENCY BALLAST 3000 LUMENS



STANDARD



ILLUMINATION

- Works with or without an AC ballast to convert new or existing fluorescent fixtures in to unobtrusive emergency lighting.
- Operates one or two lamps in the emergency mode for a minimum of 90-minutes.
- Provides a maximum initial lumen output of 3000 lumens.

ELECTRICAL

- Dual 120/277 voltage.
- Charge rate/power "ON" LED indicator light and push-to-test switch for mandated code compliance testing.
- 14.4V long life, maintenance-free, rechargeable sealed NiCd battery.
- Internal solid-state transfer switch automatically connects the internal battery to fluorescent lamp(s) for minimum 90-minute emergency illumination.
- Fully automatic solid-state, two rate charger initiates battery charging to recharge a discharged battery in 24 hours.

MOUNTING

- Suitable for installation inside, on top or in remote* of the fixture.
- Can be used in both switched and unswitched fixtures.
- UL Listed for factory or field installation.

HOUSING

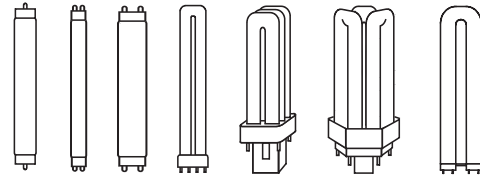
- Durable painted steel construction in red finish.
- Provided with 2' flex conduit.

WARRANTY / LISTING

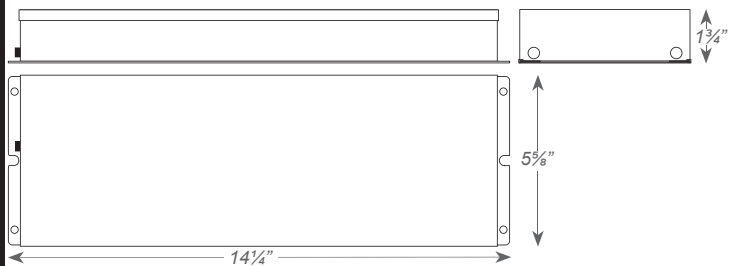
- Five year warranty against defects in material and workmanship (lamps excluded).
- Meets UL924, NFPA 101 Life Safety Code, NEC, OSHA, Local and State Codes.
- UL Listed for damp locations (0°C – 50°C).

LAMP COMPATIBILITY

- Compatible with most one-, two-, three-, and four-lamp electronic standard and dimming AC ballasts.
- Operates two 17W-40W, one 17W-215W T8 through T12, two 13W-42W 4-pin compact, two 18W-36W or one 18W-55W 4-pin long compact fluorescent lamps. Refer to lamp compatibility chart for a complete list of lamps.



DIMENSIONS



* When battery packs are remote mounted, the remote distance cannot exceed 1/2 of the distance from ballast to lamp specified by the A.C. ballast manufacturer. The maximum allowable remote mounting distance is 50 feet.

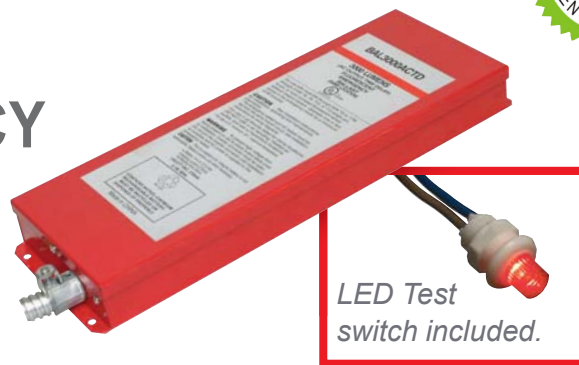
NOTE: In 2-lamp operation, lumens are equally split between the two lamps.

LAMP	INITIAL LUMENS		LAMP	INITIAL LUMENS		LAMP	INITIAL LUMENS	
	1-LAMP	2-LAMP		1-LAMP	2-LAMP		1-LAMP	2-LAMP
T8 17W	1100	1150	T12 215W	3000	-	4-Pin Long CF 18W	1250	1400
T8 32W	2950	3000	4-Pin PL CF 13W	825	900	4-Pin Long CF 24W	1750	1900
T12 20W	875	900	4-Pin PL CF 18W	1100	1200	4-Pin Long CF 36W	2200	2300
T12 40W	2250	2400	4-Pin PL CF 26W	1500	1600	4-Pin Long CF 40W	2350	2400
T8 59W	2800	-	4-Pin PL CF 32W	2200	2300	4-Pin Long CF 50W	2250	2400
T12 110W	2950	-	4-Pin PL CF 42W	2450	2500	4-Pin Long CF 55W	2500	-

VBAL3000ACTD



FLUORESCENT EMERGENCY BALLAST 3000 LUMENS



LED Test switch included.

STANDARD



ILLUMINATION

- Works with or without an AC ballast to convert new or existing fluorescent fixtures in to unobtrusive emergency lighting.
- Operates one or two lamps in the emergency mode for a minimum of 90-minutes.
- Provides a maximum initial lumen output of 3000 lumens.

ELECTRICAL

- Dual 120/277 voltage.
- Charge rate/power "ON" LED indicator light and push-to-test switch for mandated code compliance testing.
- 14.4V long life, maintenance-free, rechargeable sealed NiCd battery.
- Internal solid-state transfer switch automatically connects the internal battery to fluorescent lamp(s) for minimum 90-minute emergency illumination.
- Fully automatic solid-state, two rate charger initiates battery charging to recharge a discharged battery in 24 hours.
- AC output ensures compatibility with newer lamp technologies and helps prolong lamp life.
- Time delay enhancement to overcome end-of-life circuit protection.

MOUNTING

- Suitable for installation, on top or in remote* of the fixture.
- Can be used in both switched and unswitched fixtures.
- UL Listed for factory or field installation.

HOUSING

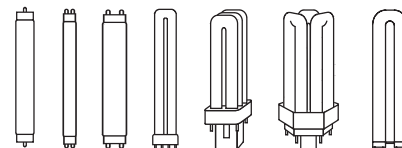
- Durable painted steel construction in red finish.
- Provided with 2' flex conduit.

WARRANTY / LISTING

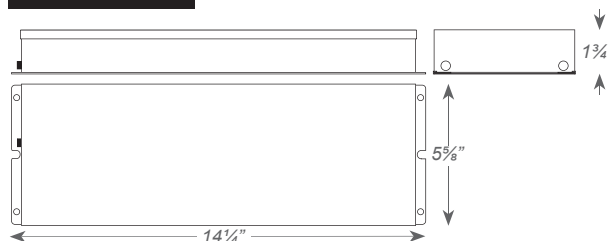
- Five year warranty against defects in material and workmanship (lamps excluded).
- Meets UL924, NFPA 101 Life Safety Code, NEC, OSHA, Local and State Codes.
- UL Listed for damp locations (0°C – 50°C).

LAMP COMPATIBILITY

- Compatible with most one-, two-, three-, and four-lamp electronic standard and dimming AC ballasts.
- Operates two 8W-54W T5/T5HO, two 17W-40W, one 17W-215W T8 through T12, two 13W-26W 4-pin compact, two 18W-50W 4-pin long compact fluorescent lamps. Refer to lamp compatibility chart for a complete list of lamps.



DIMENSIONS



* When battery packs are remote mounted, the remote distance cannot exceed 1/2 of the distance from ballast to lamp specified by the A.C. ballast manufacturer. The maximum allowable remote mounting distance is 50 feet.

NOTE: In 2-lamp operation, lumens are equally split between the two lamps.

LAMP	INITIAL LUMENS		LAMP	INITIAL LUMENS		LAMP	INITIAL LUMENS	
	1-LAMP	2-LAMP		1-LAMP	2-LAMP		1-LAMP	2-LAMP
T5 14W	1150	1200	T12 20W	875	900	4-Pin PL CF 26W	1500	1600
T5 21W	1750	1800	T12 40W	2250	2400	4-Pin Long CF 18W	1250	1400
T5 28W	2350	2425	T8 59W	2800	-	4-Pin Long CF 24W	1750	1900
T5HO 39W	2700	2850	T12 110W	2950	-	4-Pin Long CF 36W	2200	2300
T5HO 54W	2900	3000	T12 215W	3000	-	4-Pin Long CF 40W	2350	2400
T8 17W	1100	1150	4-Pin PL CF 13W	825	900	4-Pin Long CF 50W	2250	2400
T8 32W	2950	3000	4-Pin PL CF 18W	1100	1200	4-Pin Long CF 55W	2500	-

