



LED Clean Room Exit Sign

ELECTRICAL

624 nm Red or 527 nm Green LED light source. Electrical components mounted to removable high impact, injection molded polycarbonate chassis.

LISTINGS

UL and CUL listed for Wet Location. UL Classified IP65 per IEC 60598. Meets or exceeds UL924 and NFPA 101 Standards. Meets or exceeds CSA and NRCAN requirements.

MOUNTING

Hardened security screws as specified – see ordering information.

HOUSING

One-piece die-formed prime 18-gauge grade material as specified – see ordering information. Corners continuously seam welded and smooth with no post grinding (TIG).

DOOR

One-piece die-formed prime grade 14-gauge. Corners continuously seam welded and smooth with no post grinding (TIG).

FINISH

TGIC polyester powder coat – 5-stage pre-treatment. Salt spray test: 1,000 hours; Reflectance: 92%. See Options for black exterior.

WARRANTY

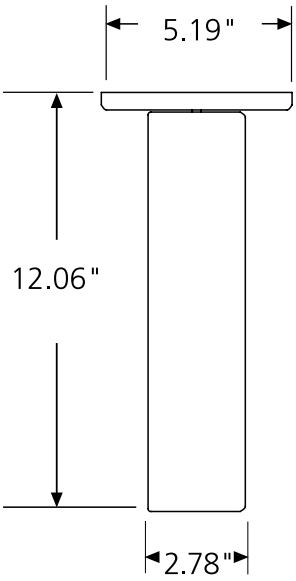
5 - Year Limited Warranty. Complete warranty and terms located at: www.aelnow.com/warranty



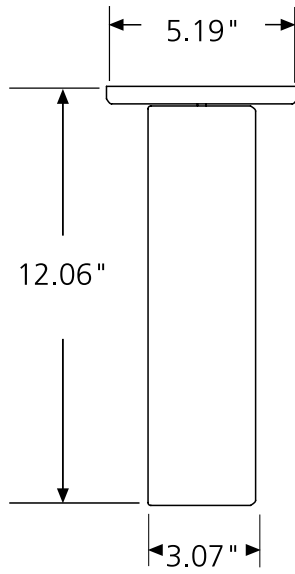
SERIES	FACE	HOUSING /DOOR MATERIAL		LEGEND COLOR	
CLEI	1	Single Face	B18	Cold Roll 18 Gauge Steel (Painted)	G Green
	2	Double Face	SH18	Stainless Steel 18 Gauge (Painted)	R Red
			SH18B	Stainless Steel 18 Gauge (Brushed)	

VOLTAGE		TAMPER PROOF OPTIONS		OPTIONS	
M	120/277VAC	TH	Torx Head w/ Center Pin	BLANK	AC Only
		AH	Allen Head w/ Center Pin	12EBL	1200 Lumen Emergency Ballast
				CW	Cold Weather Emergency Battery Pack
				2C	Dual-Circuit Operation
				BLK	Black Exterior (With brushed housing and door material)
				LAP	Laser Pointer
				TS	Torx Screwdriver

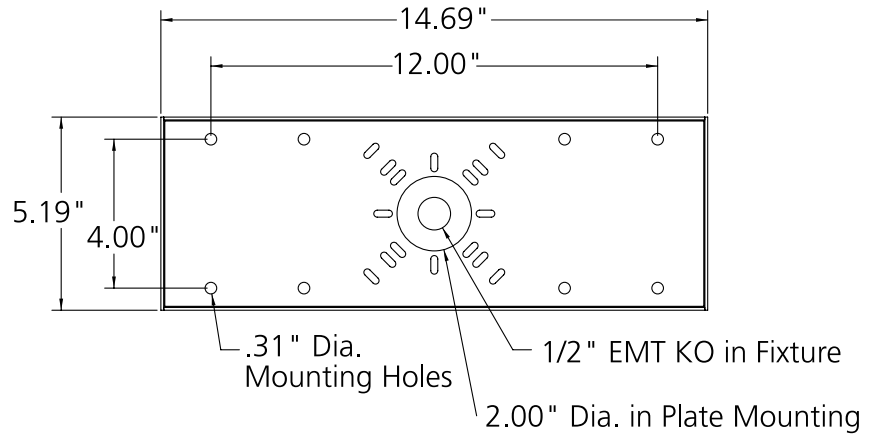
Single Face



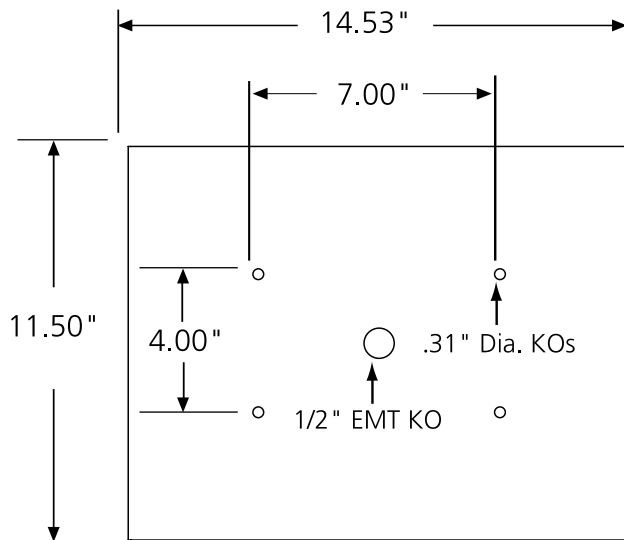
Double Face



Top Mount



Wall Mount (Single Face Only)



Side Mount

